

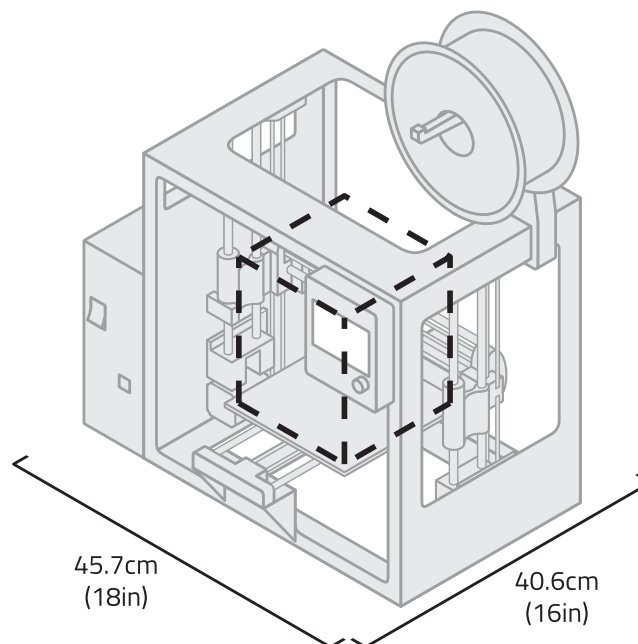


Specifications

Printing

Print Technology	Fused Filament Fabrication
Print Area	160mm x 160mm x 180mm (6.30in x 6.30in x 7.09in)
Print Volume	4608cm ³ (281.2in ³)
Ambient Operating Temperature	From 5°C to 45°C (41°F to 113°F)
Operating Footprint	457mm x 406mm (18in x 16in)
Operating Volume	42-50dB
Maximum Travel Speed	300mm/s
Leveling	Automatic Compensation
Connectivity	USB Serial and Included 8gb SD Card
Extruder/Hot End	E3D Titan Aero
Nozzle Diameter	0.5mm
Nozzle Material	Nickel-Plated Copper Alloy
Nozzle Temperature	Up to 290°C (554°F)
Nozzle Heatup Time	From 23°C to 210°C (73°F to 410°F) in 73 seconds
Print Surface	Heated Borosilicate Glass/PEI
Maximum Build Plate Temperature	Up to 120°C (248°F)
Build Plate Heat Up Time	From 23°C to 60°C (73°F to 140°F) in 97 seconds
Layer Resolution	0.05mm-0.4mm (0.002in-0.016in)
Minimum Positive Feature Size	0.5mm (0.02in)

Operating Footprint
for full range of Y-axis motion.
305mm (12in) clearance on all
sides recommended.



Print Area
160mm x 160mm x 180mm
(6.30in x 6.30in x 7.09in)

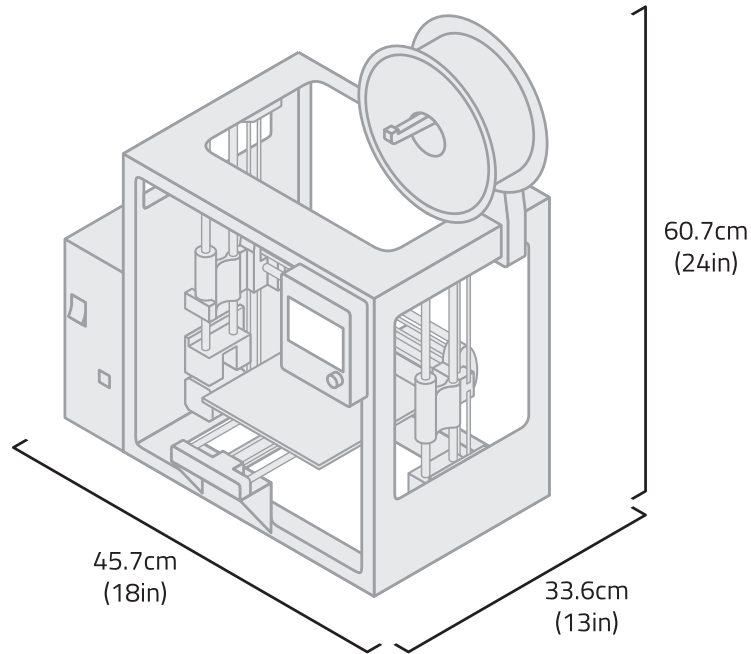
Print Volume
4608cm³ (281.4in³)

Materials

Filament Diameter	2.85mm
Supported Materials	Open filament system compatible with PLA, Natural and Metal PLA Blends, TPU, ABS, PETG, nGen, INOVA-1800, HIPS, HT, t-glase, Alloy 910, Polyamide, Nylon 645, Polycarbonate, PC-Max, PC+PBT, PC-ABS Alloy, PCTPE, and more.

Physical Dimensions

Boxed Unit Weight	12kg (26.5lbs)
Unit Weight	9kg (19.8lbs) without filament spool
Boxed Dimensions	58.4cm x 45.7cm x 53.3cm (23in x 18in x 21in)
Dimensions with 1kg Filament Spool	45.7cm x 33.6cm x 61.0cm (18in x 13in x 24in)
Dimensions with 3kg Filament Spool	48.3cm x 33.6cm x 63.5cm (19in x 13in x 25in)



Physical Dimensions

1kg spool

Software

Operating System Compatibility	GNU/Linux, Mac, Windows
Recommended Software	Cura LulzBot Edition Version 3.2 or newer
Firmware	Marlin
Supported File Types	.stl, .obj, .x3d, .3mf, .png, .jpg

Electrical

Power Requirements	100VAC-240VAC, 50Hz-60Hz, 3.2A max
Output	24VDC
Power Supply	Delta PMC-24V150W1AA

Safety and Compliance

Certifications	UL, CSA, ETL, FCC, CE, WEEE, OSHWA
Warranty	Includes one-year warranty and access to technical support seven days a week. Optional one, two, or three-year extended warranties available.
Country of Origin	Made in USA from domestic and imported components.

Print Your Mind 3D Inc. | sales@printyourmind3d.ca | 587-226-2645

LulzBot is a registered trademark of Aleph Objects, Inc.