

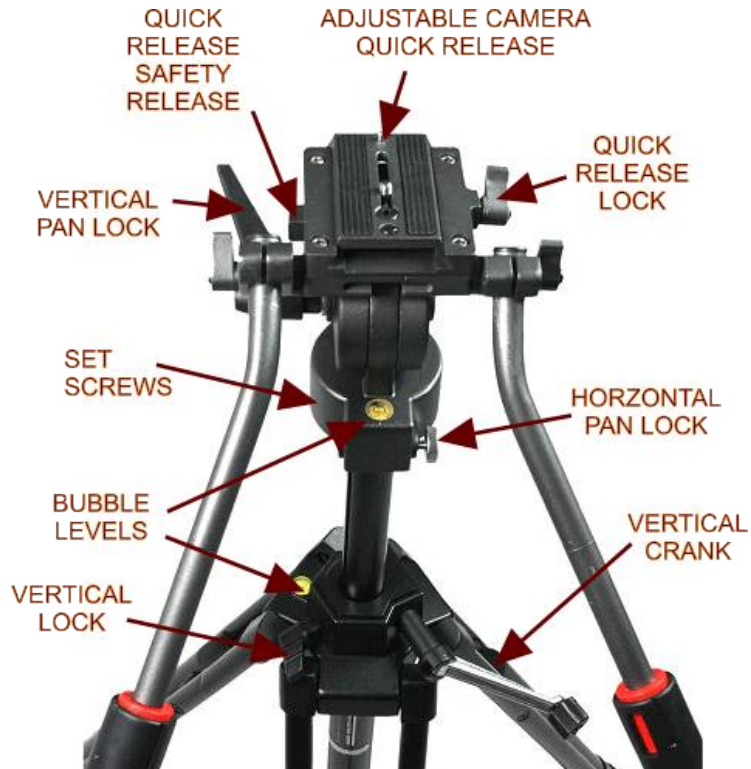
## ALZO PROPOD V USER GUIDE

### Attach a Camera to the Tripod –

Rotate the Quick Release Lock counter-clockwise to free the Camera Quick Release plate. The Quick release lock has a ratchet function and by pushing in while turning you can adjust the position of the lock lever when fully tight. Push in the Quick Release Safety Release and slide off the Camera Quick Release plate.

Firmly attach the Camera Quick Release plate to the camera and reverse the procedure.

The Vertical Pan Lock is also a ratcheting lever lock similar to the Quick Release Lock.





## ALZO PROPOD V VIDEO TRIPOD HEAD REPLACEMENT

The tripod head is attached to the Tripod base with a 1/4" X 20 screw thread and 2 2mm hex head set screws. To remove the head first set the Horizontal Pan Lock thumb wheel to lock the rotation of the head. Then use a 2mm (or 5/64") hex wrench to loosen (several turns) the 2 set screws under the head. Then while securely holding the tripod, rotate the head counterclockwise to release it from the tripod.

To install the head simply reverse the order of the above. When the head is screwed onto the tripod use some rotational force to assure that the connection of the head to the tripod is tight. Then tighten the set screws. Do not over-tighten the 2 set screws.

Occasionally the connection of the head to the tripod can become loose and cause inconsistent panning. To secure the base to the head, first loosen the 2 - 2mm set screws with a 2 mm or 5/64" hex wrench. Then fully tighten the Horizontal Pan Lock and twist the head clockwise while firmly holding the tripod base to secure the head to the tripod base. Now use the hex wrench to tighten the 2 set screws



1/4" x 20 screw  
thread tripod top

