

ALZO Screw Mount to Ceiling Backdrop Support System User Guide

CAUTION: Installation of the ALZO Screw Mount to Ceiling Backdrop Support system requires 2 adults and 2 step ladders. In addition, changing the background material also requires 2 adults and step ladders.

IMPORTANT: DO NOT OVERTIGHTEN THE FRICTION ADJUSTMENT AS THIS WILL DAMAGE THE CHAIN DRIVE ROLLER. DAMAGED CHAIN DRIVE ROLLERS DUE TO OVER TIGHTENING THE FRICTION ADJUSTMENT ARE NOT COVERED BY THIS PRODUCT WARRANTY.

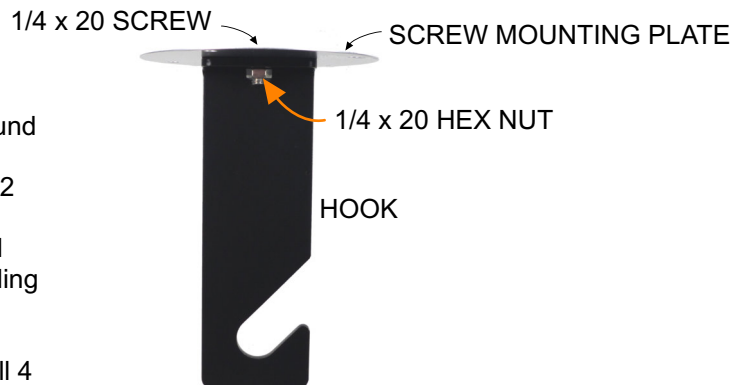


The KIT Includes

- 2 - Ceiling Hooks with round mounting plates
- 8 - Molly toggle screws
- 1 - Set of plastic rollers with chain and weight
- 1 - 10 foot 2 section support pipe (not shown)
- 2 - Plastic wedges (also not shown)

TOOLS REQUIRED

Screw Driver, Pliers, 2 step ladders



STEP 1 - First study the location where the background system will be attached to the ceiling and mark the locations where you intend to attach the hooks. The 2 hooks will be located 123-125 inches apart. 8 Molly toggle screws are included for attaching to a dry wall ceiling. Use a 3/8" drill bit to drill the holes in the ceiling for the toggle bolts.

Assemble the Ceiling hooks as shown and include all 4 the toggle screws in the assembly. Push all 4 toggles through the holes and then with downward pressure on the screws rotate the screws clockwise to tighten. Do not over-tighten these screws as this will damage the toggles.

Use wood screws when attaching to ceiling joists or wood beams.

When the hooks are secured to the ceiling, rotate the hooks clockwise so that they are in the same direction.

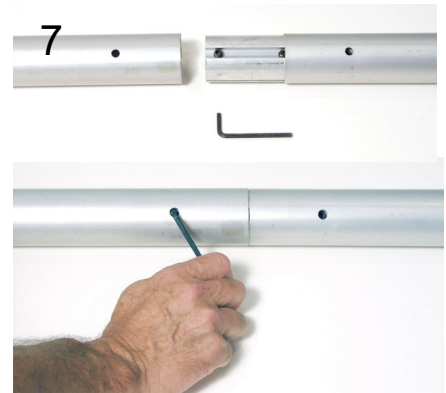


ALZO Screw Mount to Ceiling Background Support System User Guide

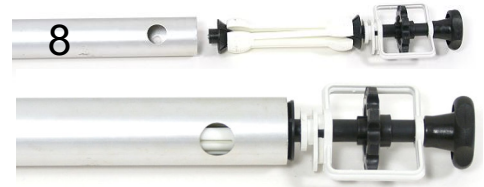
STEP 2 - Determine where you want the chain to hang as this will dictate the installation of the rollers in the pipe.

STEP 3 - Lay the 2 - 5 foot sections of pipe on the floor and locate the supplied hex key. Loosen both set screws in the pipe junction and leave the hex key in the screw in the pipe. Now slide the pipes together align the holes with the set screws and tighten both set screws securely.

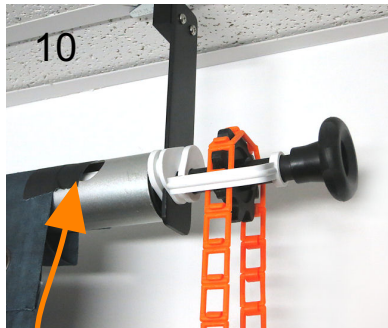
NOTE: If the pipe junction is hidden in the end of the pipe loosen the visible set screw and slide out the junction. Then perform step 9.



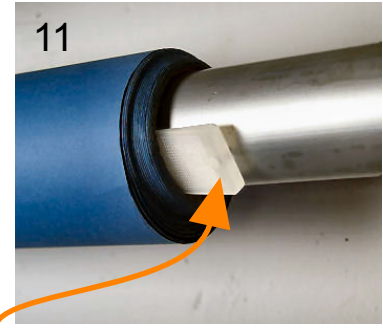
STEP 4 - One of the rollers has a white box frame and this is the end that the chain attaches to. The other roller includes a thumbscrew friction adjust. Rotate the knobs on the end of the rollers counter clockwise a few turns and then slide the rollers into the pipe until they are almost completely hidden. Rotate the knobs clockwise until the rollers are firmly tight in the pipe.



Friction Adjust thumb screw



Gaffers tape on both ends to attach muslin



Plastic Wedge pushed in between cardboard tube and aluminum pole

STEP 5 - INSTALL THE BACKGROUND ON THE PIPE

This process requires 2 adults and 2 step ladders. The background is installed on the pole first and then lifted and attached to the hooks. Caution - The 2 ends must be secure on the hooks prior to installers stepping down. Severe ceiling frame damage will occur if one of the ends is not properly secured in the hook. In addition, assure that the friction adjust thumb screw is properly adjusted prior to attempting to roll up or down any background. The friction adjustment should allow for the rolling out of the paper with the chain without excessive force on the chain, but with sufficient friction to prevent paper roll out.

IMPORTANT: DO NOT OVERTIGHTEN THE FRICTION ADJUSTMENT AS THIS WILL DAMAGE THE CHAIN DRIVE ROLLER. DAMAGED CHAIN DRIVE ROLLERS DUE TO OVER TIGHTENING THE FRICTION ADJUSTMENT ARE NOT COVERED BY THIS PRODUCT WARRANTY.

PAPER ON 2" CARDBOARD CORE: Remove one of the rollers and slide the paper over the pipe. Firmly push the 2 plastic wedges in-between the paper core and the pole on both ends of the roll (see 11 above). This will secure the paper to the pipe. Now replace the roller and tighten in place.

MUSLIN: Remove one of the rollers and slide the fabric pocket over the pipe. Use a 4 inch piece of 2 inch wide gaffers tape to attach one end of the fabric to the pipe. Now on the other end stretch the fabric until taught and then secure this end with another 4 inch length of gaffers tape. You will need to pull on both sides of the fabric as it is rolled up to reduce wrinkles. Do not use DUCT TAPE as this will be very difficult to remove to change the background.



CHAIN WEIGHT