

Product Fact Sheet

Mineral Collection

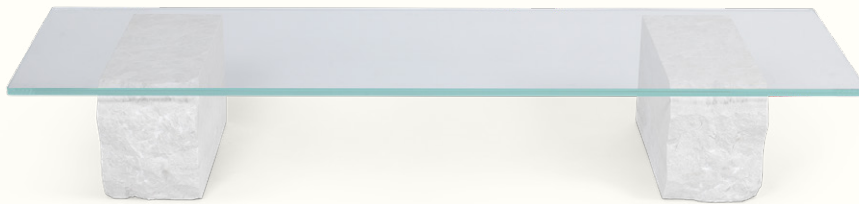


ferm
LIVING



Mineral Display Table – Bianco Curia

A harmonious marriage of natural materials and contrasting finishes, our Mineral Display Table showcases the intrinsic beauty of stone and glass. The smooth, rectangular glass top is placed on a base of two stone blocks – each with one end of which is left unfinished for a raw, textural look.



1104267638
White

Information

Size: H: 25 x W: 160 x D: 46 cm /

H: 9.8 x W: 63.0 x D: 18.1 in

Material: Bianco Curia marble base with glass table top. Glass table top thickness is 15 mm

Info: As the rough edges are hand-made with a chisel. Every table base is unique. Max. load 35 kg

Care: Wipe with a damp cloth

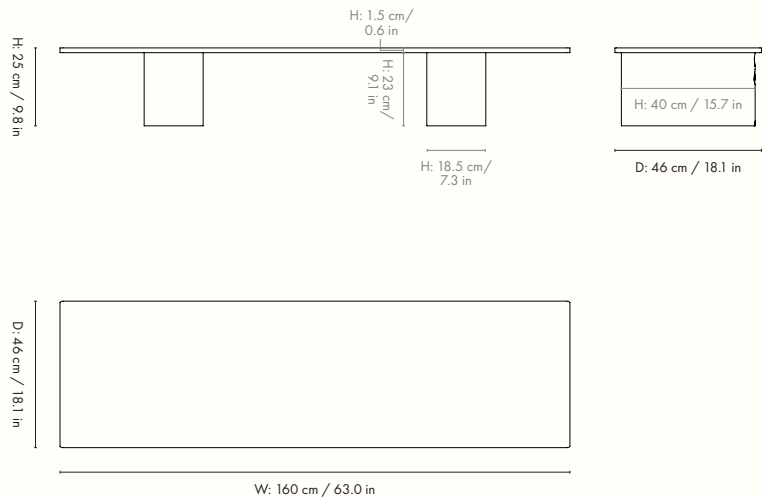
Attention: Marble is a natural material, small variations from product to product may occur

Country of origin: Italy

Net weight: 45 kg

Packsize: 1

Measurements



Mineral Coffee Table

– Bianco Curia

A harmonious marriage of natural materials and contrasting finishes, our Mineral Coffee Table showcases the intrinsic beauty of stone and glass. The smooth, rectangular glass top is placed on a base of two stone blocks – each with one end of which is left unfinished for a raw, textural look.



1101142824
White

Information

Size: H: 25 x W: 120 x D: 70 cm /

H: 9.8 x W: 47.2 x D: 27.6 in

Material: Bianco Curia marble base with glass table top. Glass Table Top thickness is 15 mm

Info: As the rough edges are hand-made with a chisel, every table base is unique. Max. load 35 kgs

Care: Wipe with a damp cloth

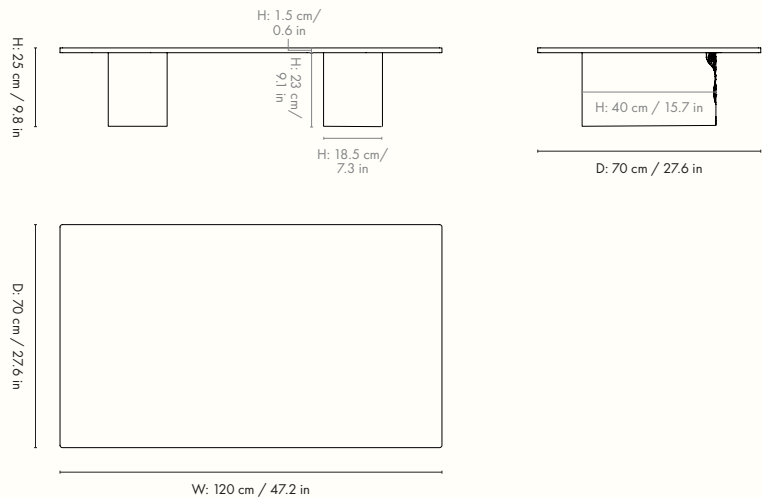
Attention: Marble is a natural material, small variations from product to product may occur

Country of origin: Italy

Net weight: 113 kg

Packsize: 1

Measurements



Mineral Sculptural Table – Bianco Curia

Whether you use it as a side table or as a decorative sculpture, the Mineral Sculptural Table makes an impactful impression in your home. Made in 100% bianco curia marble, it is a real statement piece, and with edges that are broken by hand with a chisel, each table is unique. Characterised by its distinctive T-shape, rough edges and contrasting polished surfaces, it has a raw, brutalist expression that will spark conversation.

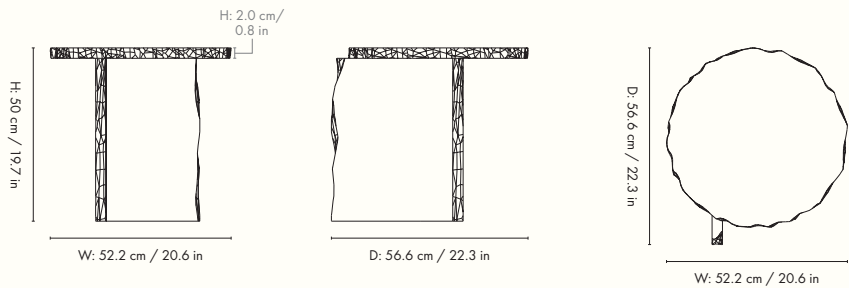


1104264893
White

Information

Size: Ø: 52 x H: 50 cm /
Ø: 20.5 x H: 19.7 in
Material: Bianco Curia marble. Glass Table
Top thickness is 20 mm
Info: As the rough edges are hand-made
with a chisel, every table is unique
Care: Wipe with a damp cloth.
Do not leave the surface wet
Attention: Marble is a natural material, small
variations from product to product may occur
Country of origin: Italy
Net weight: 45 kg
Packsize: 1

Measurements





Mineral Café Table

– Bianco Curia

The Mineral Café Table is ideal for small living and exudes understated exclusivity. Made with Bianco Curia marble, the distinct broken-edge detail of the tabletop has been made by hand with a chisel, making each table unique. The marble surface has been given a delicate treatment that gives it a subtle shine while making it more resistant to everyday use. Completed with a discrete foot, the marble tabletop remains the main focal point of this timeless design.



1104265568
White/Black

Information

Size: Ø: 60 x H: 72 cm / Ø: 23.6 x H: 28.3 in

Material: Table top: Brushed Bianco Curia marble. Glass Table Top thickness is 20 mm. Base: Black powder coated galvanized steel

Info: As the rough edges are hand-made with a chisel, every table is unique. The leathered marble surface is treated with a diamond-tipped brush making it resistant to water marks. The galvanized base is resistant to rust. Registered design

Care: Wipe with a damp cloth. Do not leave the surface wet

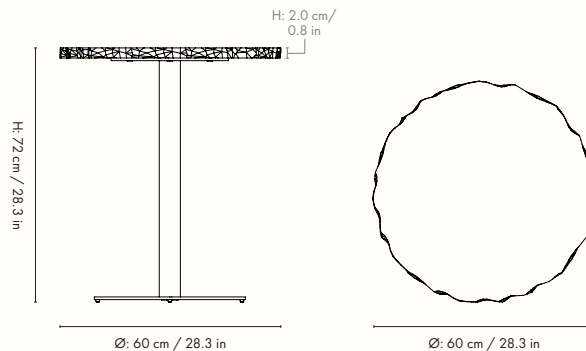
Attention: Marble is a natural material, small variations from product to product may occur

Country of origin: Italy

Net weight: 28 kg

Packsize: 1

Measurements



Mineral Dining Table

– Bianco Curia

The Mineral Dining Table is ideal for small living and exudes understated exclusivity. Made with Bianco Curia marble, the distinct broken-edge detail of the tabletop has been made by hand with a chisel, making each table unique. The marble surface has been given a delicate treatment that gives it a subtle shine while making it more resistant to everyday use. Completed with a discrete foot, the marble tabletop remains the main focal point of this timeless design.

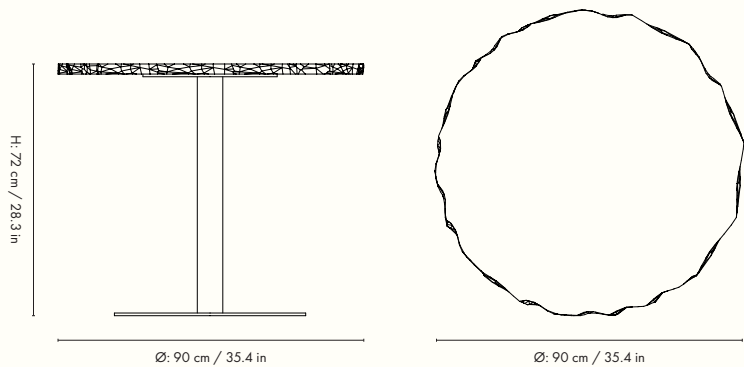


1104265569
White/Black

Information

Size: Ø: 90 x H: 72 cm / Ø: 35.4 x H: 28.3 in
Material: Table top: Brushed Bianco Curia marble.
 Base: Black powder coated galvanized steel
Info: As the rough edges are hand-made with a chisel, every table is unique. The leathered marble surface is treated with a diamond-tipped brush making it resistant to water marks. The galvanized base is resistant to rust. Registered design
Care: Wipe with a damp cloth. Do not leave the surface wet
Attention: Marble is a natural material, small variations from product to product may occur
Country of origin: Italy
Net weight: 54 kg
Packsize: 1

Measurements





Space to feel comfortably you