

Product Fact Sheet

Desert Collection



ferm
L I V I N G



Desert Lounge Chair – Cashmere Frame

A modernist chair with a graceful profile, the Desert Lounge Chair is crafted from a tubular powder coated steel frame, holding an interchangeable handwoven textile seat made entirely from recycled post-consumer plastic that has been spun into PET yarn. Suitable for use both indoors and out, the lounge design invites relaxation.



1104269106
Cashmere/Off-white/Chocolate



1104267051
Cashmere/Cloud



1103622867
Cashmere/Sand



1103612866
Cashmere/Soil



1104263883
Cashmere/Block



1104263884
Cashmere/Olive



1104266083
Cashmere/Dune

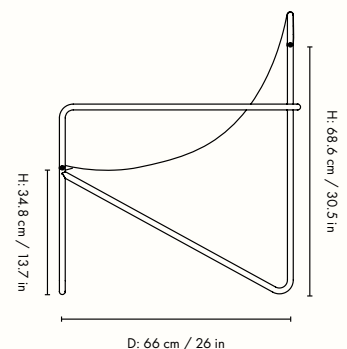
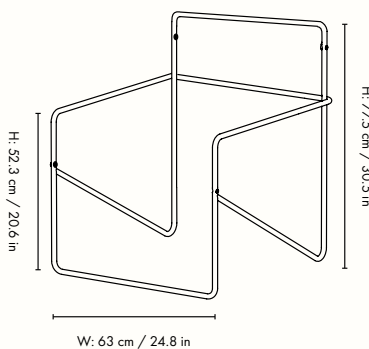


1103632868
Cashmere/Stripes

Information

Size: H: 77.5 x W: 63 x D: 66 x SH: 20 cm /
H: 30.5 x W: 24.8 x D: 26 x SH: 7.9 in
Material: Powder coated steel frame. Seat: 100%
Recycled PET yarn made from post-consumer plastic
Care: Seat: 30°C gentle wash. Dry flat.
Frame: Wipe with a damp cloth
Info: Removable seat hand-woven from PET yarn
made from recycled plastic that corresponds to 53
1L plastic bottles. Suitable for outdoor use. Height
of crossbar under the knees: 31.5 cm / 12.4 in.
Registered design
Country of origin: Textile: India. Frame: Lithuania
Net weight: 5.9 kg
Packsize: 2 / US:1
Test: EN 581-2:2015/AC:2016 Outdoor furniture
EN 581-1:2017 Outdoor furniture

Measurements



Desert Lounge Chair – Poppy Red Frame

A modernist chair with a graceful profile, the Desert Lounge Chair is crafted from a tubular powder coated steel frame, holding an interchangeable handwoven textile seat made entirely from recycled post-consumer plastic that has been spun into PET yarn. Suitable for use both indoors and out, the lounge design invites relaxation.



1104267053
Poppy Red/Cloud



1104263886
Poppy Red/Sand



1104267185
Poppy Red/Block

Information

Size: H: 77.5 x W: 63 x D: 66 cm /
H: 30.5 x W: 24.8 x D: 26 in

Material: Powder coated steel frame. Seat: 100% Recycled PET yarn made from post-consumer plastic

Care: Seat: 30°C gentle wash. Dry flat.

Frame: Wipe with a damp cloth

Info: Removable seat hand-woven from PET yarn made from recycled plastic that corresponds to 53 1L plastic bottles. Suitable for outdoor use. Height of crossbar under the knees: 31.5 cm / 12.4 in.

Registered design

Country of origin: Textile: India. Frame: Italy

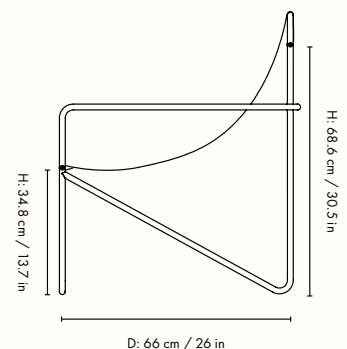
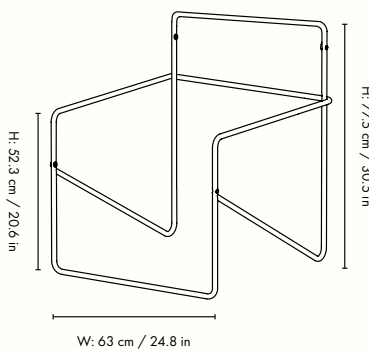
Net weight: 5.9 kg

Packsize: 2 / US:1

Test: EN 581-2:2015/AC:2016 Outdoor furniture

EN 581-1:2017 Outdoor furniture

Measurements



Desert Lounge Chair – Olive Frame

A modernist chair with a graceful profile, the Desert Lounge Chair is crafted from a tubular powder coated steel frame, holding an interchangeable handwoven textile seat made entirely from recycled post-consumer plastic that has been spun into PET yarn. Suitable for use both indoors and out, the lounge design invites relaxation.



1104269107
Olive/Off-white/Chocolate



1104267052
Olive/Cloud



1104267186
Olive/Sand



1104263885
Olive/Olive



1104267187
Olive/Dune

Information

Size: H: 77.5 x W: 63 x D: 66 cm /
H: 30.5 x W: 24.8 x D: 26 in

Material: Powder coated steel frame. Seat: 100% Recycled PET yarn made from post-consumer plastic

Care: Seat: 30°C gentle wash. Dry flat.

Frame: Wipe with a damp cloth

Info: Removable seat hand-woven from PET yarn made from recycled plastic that corresponds to 53 1L plastic bottles. Suitable for outdoor use. Height of crossbar under the knees: 31.5 cm / 12.4 in.

Registered design

Country of origin: Textile: India. Frame: Italy

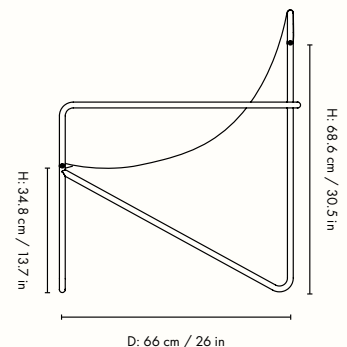
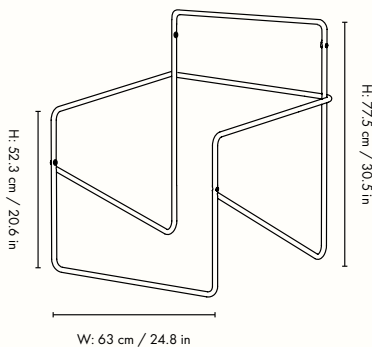
Net weight: 5.9 kg

Packsize: 2 / US:1

Test: EN 581-2:2015/AC:2016 Outdoor furniture

EN 581-1:2017 Outdoor furniture

Measurements



Desert Lounge Chair – Black Frame

A modernist chair with a graceful profile, the Desert Lounge Chair is crafted from a tubular powder coated steel frame, holding an interchangeable handwoven textile seat made entirely from recycled post-consumer plastic that has been spun into PET yarn. Suitable for use both indoors and out, the lounge design invites relaxation.



1104269105
Black/Off-white/Chocolate



1104267050
Black/Cloud



1103582863
Black/Sand



1103572862
Black/Soil



1104263881
Black/Block



1104263882
Black/Olive



1104265734
Black/Dune



1103592864
Black/Stripes

Information

Size: H: 77.5 x W: 63 x D: 66 cm /
H: 30.5 x W: 24.8 x D: 26 in

Material: Powder coated steel frame. Seat: 100% Recycled PET yarn made from post-consumer plastic

Care: Seat: 30°C gentle wash. Dry flat.

Frame: Wipe with a damp cloth

Info: Removable seat hand-woven from PET yarn made from recycled plastic that corresponds to 53 1L plastic bottles. Suitable for outdoor use. Height of crossbar under the knees: 31.5 cm / 12.4 in.

Registered design

Country of origin: Textile: India. Frame: Lithuania

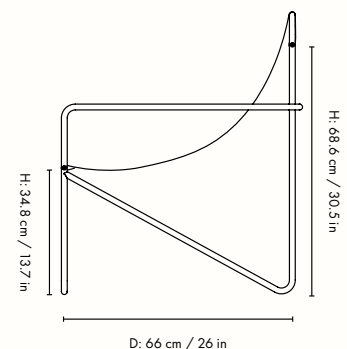
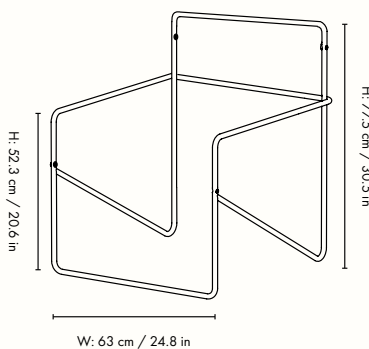
Net weight: 5.9 kg

Packsize: 2 / US:1

Test: EN 581-2:2015/AC:2016 Outdoor furniture

EN 581-1:2017 Outdoor furniture

Measurements



Desert Chair Kids

– Cashmere and Black Frame

Our popular Desert Chair is now available in a kids version – perfect for the youngest members of your household! A Modernist chair with a graceful profile, the Desert Chair is crafted from a tubular powder-coated steel frame, and holds an interchangeable woven textile seat made entirely from recycled plastic bottles. Suitable for use both indoors and out, the lounge design invites relaxation. Just sit back and enjoy.



1104263372
Cashmere/Sand



1104263371
Cashmere/Soil



1104263370
Cashmere/Shape



1104263373
Cashmere/Stripe



1104263368
Black/Sand



1104263367
Black/Soil



1104263366
Black/Shape



1104263369
Black/Stripe

Information

Size: H: 55.5 x W: 45 x D: 47.5 cm /

H: 21.9 x W: 17.7 x D: 18.7 in

Material: Powder coated steel frame. Seat: 100% Recycled PET yarn made from post-consumer plastic

Care: Seat: 30°C gentle wash. Dry flat.

Frame: Wipe with a damp cloth

Info: Removable seat hand-woven PET yarn made from recycled plastic that corresponds to 27 1L plastic bottles. Suitable for outdoor use.

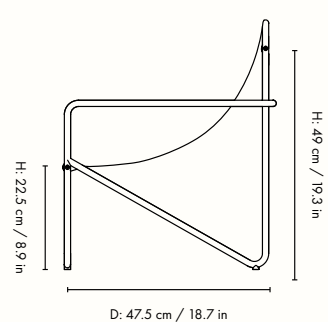
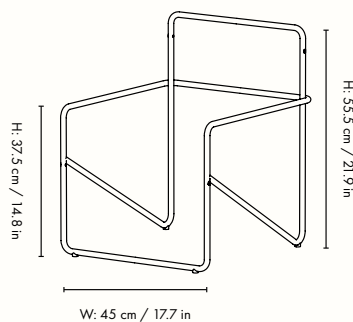
Registered design

Country of origin: Textile: India. Frame: Lithuania

Net weight: 2.5 kg

Packsize: 1 / US: 1

Measurements



Desert Cushion

Made entirely from recycled, post-consumer plastic that has been spun into PET yarn, the Desert Cushion is perfectly adapted to outdoor living. Extremely durable with a texture that recalls virgin wool, this narrow cushion fits comfortably in the backrest or seat of the Desert Lounge Chair, but can just as easily be used on its own.



1104263849
Off-white



1104263848
Sand



1104263847
Olive

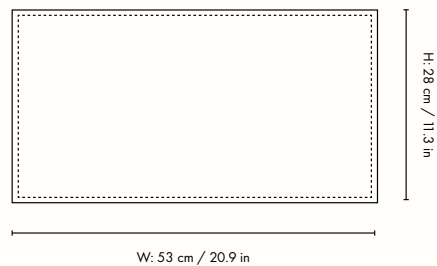


1104263850
Sugar Kelp

Information

Size: H: 28 x W: 53 cm / H: 11 x W: 20.9 in
Material: Closed cover: 100% Hand-woven PET yarn.
Filling: 100% Recycled polyester. All made from recycled post-consumer plastic
Care: 30°C gentle wash
Info: Hand-woven PET yarn made from recycled plastic that corresponds to 48 1L plastic bottles.
 Suitable for outdoor use
Country of origin: India
Net weight: 0.8 kg
Packsize: 2

Measurements





Desert 1-seater

Summer equals relaxation and quality time spent in serene outdoor settings. Create an inviting lounge area with the Desert Sofa, where there is plenty of room for sunbathing, reading books and entertaining friends and family. With the unpredictable weather in mind, the Desert Sofa is designed for outdoor use and is completed with cosy sofa cushions that are both water- and UV resistant with stain-repellent protection.



1104267306
Cashmere/Dark Sand



1104265433
Black/Dark Sand



1104267301
Cashmere/Chocolate



1104267295
Black/Chocolate

Information

Size: W: 79 x H: 78 x D: 85 cm / W: 31.1 x H: 30.7 x D: 33.5 in

Seat height: 30 cm / 11.8 in

Material: Electro-plated steel frame with powder coating. Seat: 70% vinyl and 30% polyester mesh fabric. Inner cushion: Polyester padding and PU foam. Cover: 60% polypropylene and 40% polyester, 40% is made of recycled fibers

Info: Suitable for outdoor use. The electro-plating makes the steel frame resistant to rust. Water-resistant inner cushions. Water- and UV resistant cushion covers with stain-repellent protection. Height of crossbar under the knees: 30 cm / 11.8 in. Registered design

Care: Covers: 30°C gentle wash. Frame: Wipe with a damp cloth

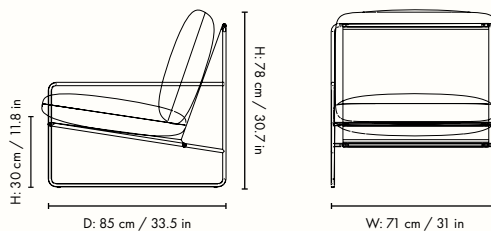
Test: EN 581-2:2015 and EN 581-1:2017. Outdoor furniture standards are based on use by persons weighing up to 110 kg

Country of origin: Cushions and seat: Italy. Frame: Sweden

Net weight: 11 kg

Packsize: 1

Measurements



Desert 2-seater

Summer equals relaxation and quality time spent in serene outdoor settings. Create an inviting lounge area with the Desert Sofa, where there is plenty of room for sunbathing, reading books and entertaining friends and family. With the unpredictable weather in mind, the Desert Sofa is designed for outdoor use and is completed with cosy sofa cushions that are both water- and UV resistant with stain-repellent protection.



1104267307
Cashmere/Dark Sand



1104265434
Black/Dark Sand



1104267303
Cashmere/Chocolate



1104267297
Black/Chocolate

Information

Size: W: 156 x H: 78 x D: 85 cm / W: 61.4 x H: 30.7 x D: 33.5 in

Seat height: 30 cm / 11.8 in

Material: Electro-plated steel frame with powder coating. Seat: 70% vinyl and 30% polyester mesh fabric. Inner cushion: Polyester padding and PU foam. Cover: 60% polypropylene and 40% polyester, 40% is made of recycled fibers

Info: Suitable for outdoor use. The electro-plating makes the steel frame resistant to rust. Water-resistant inner cushions. Water- and UV resistant cushion covers with stain-repellent protection. Height of crossbar under the knees: 30 cm / 11.8 in. Registered design

Care: Covers: 30°C gentle wash. Frame: Wipe with a damp cloth

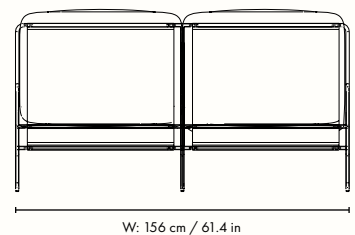
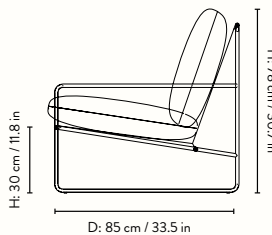
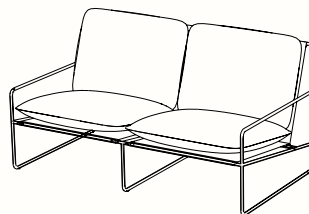
Test: EN 581-2:2015 and EN 581-1:2017. Outdoor furniture standards are based on use by persons weighing up to 110 kg

Country of origin: Cushions and seat: Italy. Frame: Sweden

Net weight: 18 kg

Packsize: 1

Measurements



Desert 3-seater

Summer equals relaxation and quality time spent in serene outdoor settings. Create an inviting lounge area with the Desert Sofa, where there is plenty of room for sunbathing, reading books and entertaining friends and family. With the unpredictable weather in mind, the Desert Sofa is designed for outdoor use and is completed with cosy sofa cushions that are both water- and UV resistant with stain-repellent protection.



1104267308
Cashmere/Dark Sand



1104265435
Black/Dark Sand



1104267305
Cashmere/Chocolate



1104267299
Black/Chocolate

Information

Size: W: 233 x H: 78 x D: 85 cm / W: 91.7 x H: 30.7 x D: 33.5 in

Seat height: 30 cm / 11.8 in

Material: Electro-plated steel frame with powder coating. Seat: 70% vinyl and 30% polyester mesh fabric. Inner cushion: Polyester padding and PU foam. Cover: 100 % outdoor polypropylene

Info: Suitable for outdoor use. The electro-plating makes the steel frame resistant to rust. Water-resistant inner cushions. Water- and UV resistant cushion covers with stain-repellent protection. Height of crossbar under the knees: 30 cm / 11.8 in. Registered design

Care: Covers: 30°C gentle wash. Frame: Wipe with a damp cloth

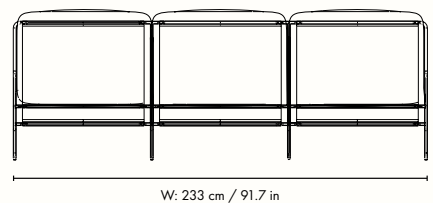
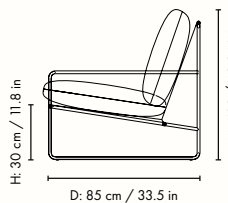
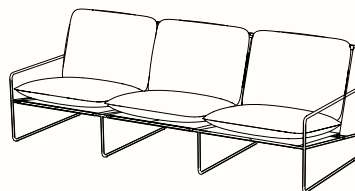
Test: EN 581-2:2015 and EN 581-1:2017. Outdoor furniture standards are based on use by persons weighing up to 110 kg

Country of origin: Cushions and seat: Italy. Frame: Sweden

Net weight: 22 kg

Packsize: 1

Measurements





Space to feel comfortably you