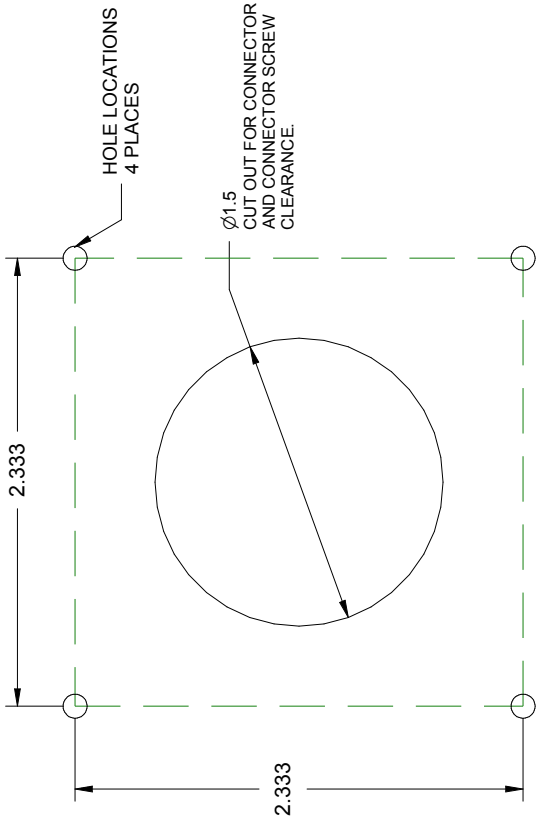


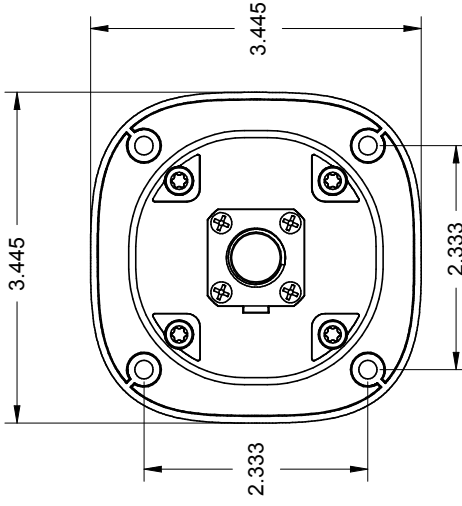
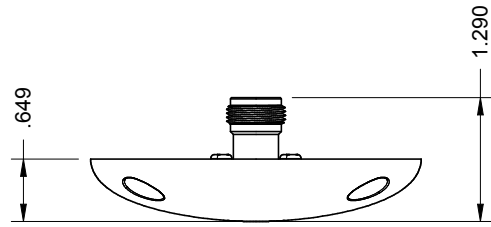
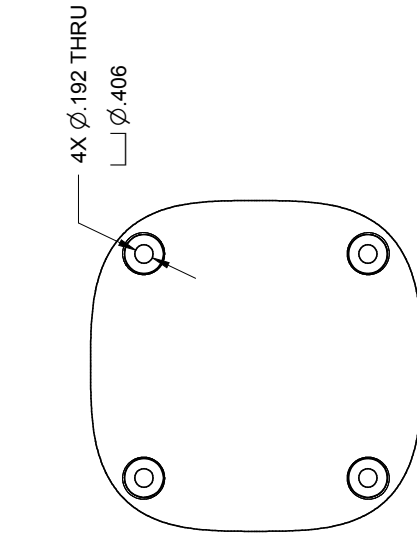
REVOLUTIONS		DESCRIPTION		DATE	APPROVED
ZONE	REV				



PATTERN FOR MOUNTING
SCALE 1/1

NOTES

- SHOWN WITH:
TYPE N - FEMALE RF CONNECTOR.
- OTHER CONNECTOR OPTIONS AVAILABLE:
SMA - FEMALE,
TNC - FEMALE.



		DATE	TITLE		
		08FEB2006	ANTENNA ASSEMBLY L1 ACTIVE ANTENNA GPSS SMA(F) L1 G338B NF=1.28B RANGE=3-16VDC		
DRAWN	CHECKED	SIZE	FSCM NO.	DWG FILE NAME	REV
JWK	PWC	A		031-FAN-AAQ-XCX-RXZ	001
APPROVED		SCALE	GPS SOURCE PART NUMBER		
		1/2	FAN-AAQ-XCX-RXZ		
				SHEET	1 OF 1