

# IRMS Quick Start Guide

## GPS Integrated Rack Mount Splitter

1x8; 1x16; 1x32; 2x8; 2x16; 2x32



### Features:

- 8, 16, 32 GPS/GNSS Output Ports
- Single or Dual GPS/GNSS Antenna Input Ports
- Single or Dual +/-48VDC Redundant Power Supplies
- Single or Dual AC Power
- Dual Power - Single AC Power and Single DC Power (24V)
- Embedded Antenna Health Sensor
- Automatic Internal Antenna Port Switch
- External Antenna Port Selection Capability
- Antenna Fault Indicator Lights
- Power Fault Indicator Light
- Embedded Receiver to Monitor Signal
- Compatible For Use with 1 Amp to 5 Amp fuse

### Alarm Port



*Normally Open (NO) contact,  
Normally Closed (NC) contact,  
Single 48V power may connect to  
either 48V inputs.*

*DB9 Port is no longer used for  
alarm notifications..*

## Fault Status Indicators

### Signal Strength

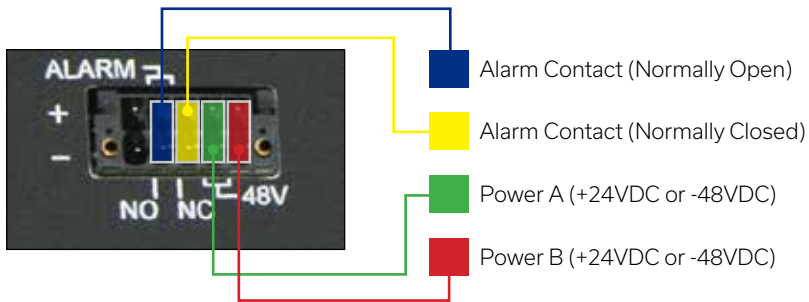
LED Indicator Condition	Description	Input
Solid Green	Good SNR, No Current Fault, 3D Fix	Selected
Flashing Green	Acquisition Mode	Selected
Solid Yellow	Antenna Current Fault	Both
Flashing Yellow	Low SNR	Both

Note: The acquisition light pattern may not be observable if unit acquires quickly after setup.

### Power Status

LED Indicator Condition	Description	Input
Solid Green	No Power Faults	Both
Slow Flashing Yellow	Primary Supply Fault	Primary
Fast Flashing Yellow	Secondary Supply Fault	Secondary
No Light	No Power	Both

## Power and Alarm Connections



Learn more about GPS Source Rack Mount Splitters.  
<https://www.gpssource.com/collections/gps-splitters-rackmount>