

4

3

2

1

D

D

C

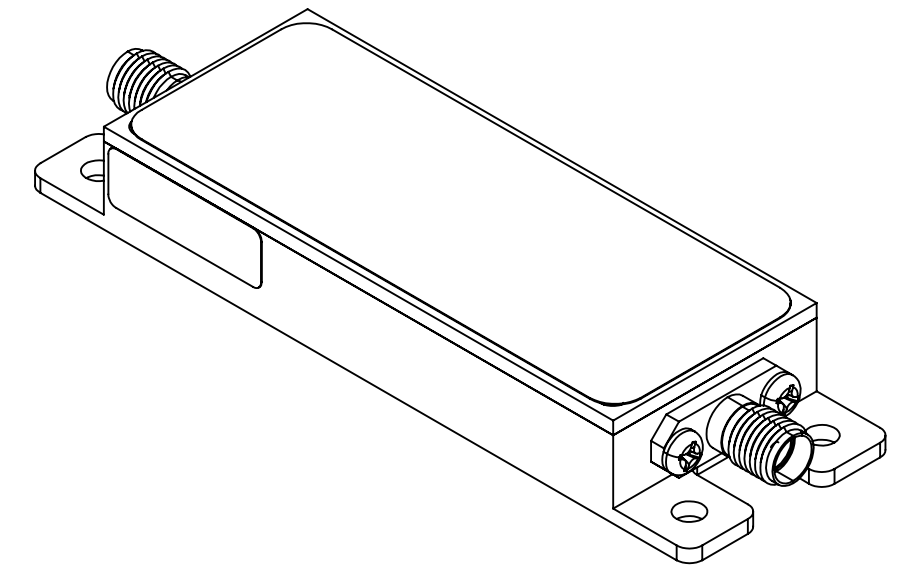
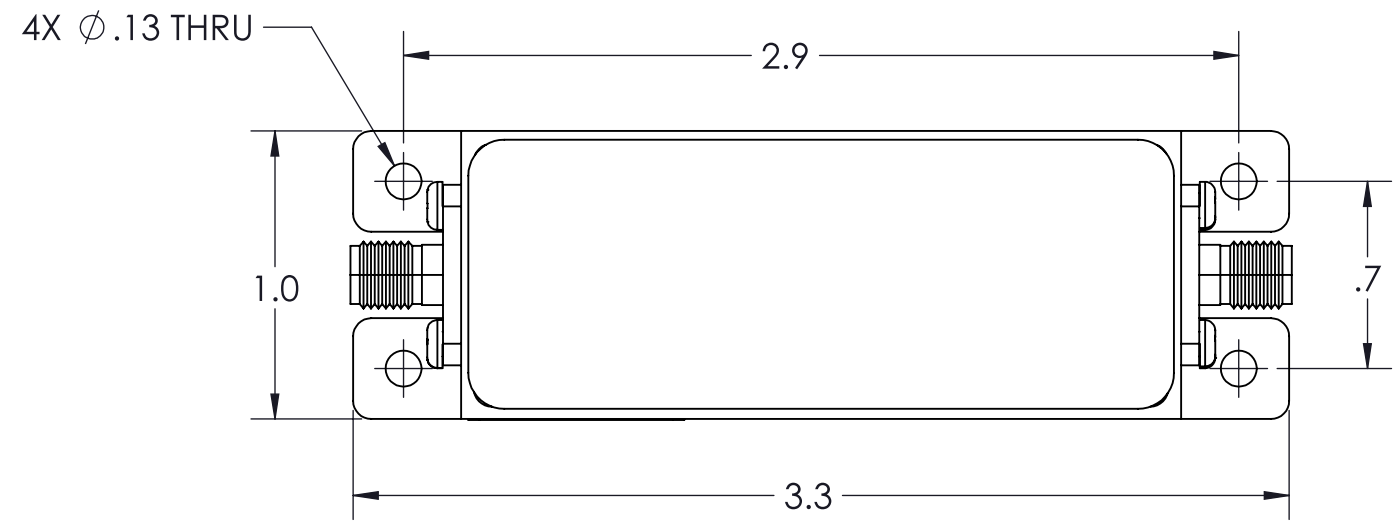
C

B

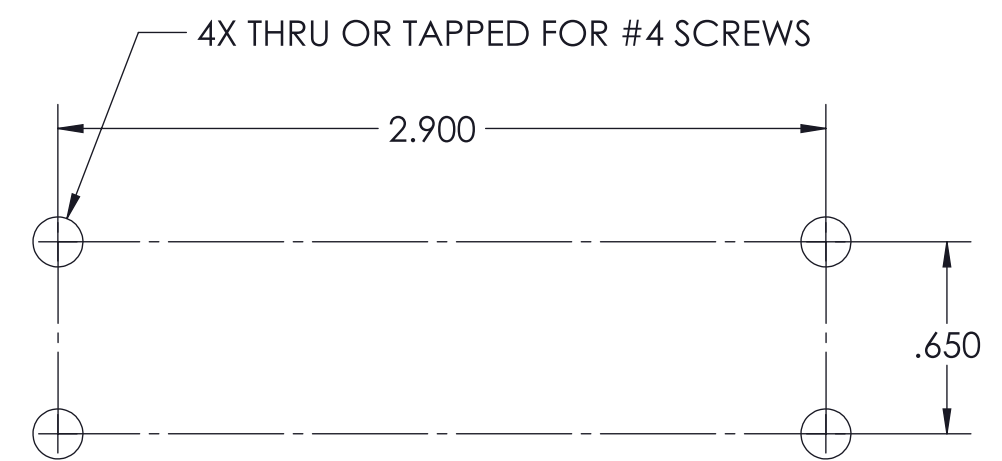
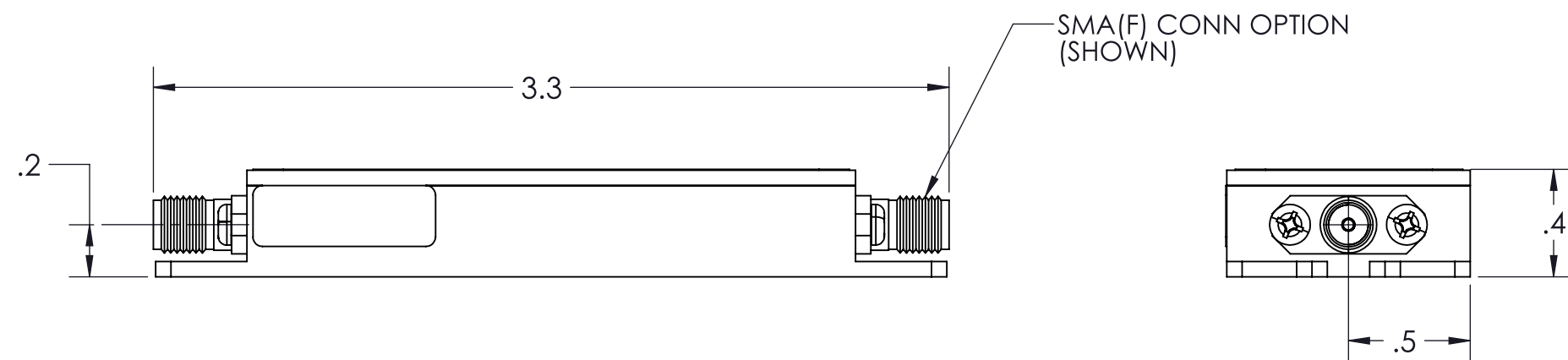
B

A

A



ISOMETRIC VIEW
FOR REFERENCE ONLY



RECOMMENDED MOUNTING PATTERN

ALL MATERIALS AND FINISHES SHALL COMPLY WITH EUROPEAN UNION RESTRICTION OF HAZARDOUS SUBSTANCES. (RoHS)



GPS SOURCE

GPS SOURCE PART NUMBER
FFL-ABT-CCX-AGZ

TOLERANCES UNLESS OTHERWISE SPECIFIED	
LINEAR .X = ±.1 .XX = ±.01 .XXX = ±.005	ANGULAR ±1° RADI SEE LINEAR
MATERIAL N/A	FINISH N/A

DRAWN J BROOKS	DATE 12-12-16
CHECKED B MADRILL	DATE 12-12-16
QA M STORM	DATE 12-12-16
MFG	DATE
APPROVED J DREILING	DATE 12-12-16

THE INFORMATION CONTAINED IN THIS DESIGN SET IS THE SOLE PROPERTY OF GPS SOURCE. USE OF THIS DESIGN IS RESERVED EXCLUSIVELY FOR SAID COMPANY. REPRODUCTION OR DISTRIBUTION OF ANY PORTION OF DESIGN IS FORBIDDEN WITHOUT THE EXPRESS WRITTEN CONSENT OF GPS SOURCE.	
UNLESS OTHERWISE SPECIFIED DIMENSIONS ARE IN INCHES IAW ASME Y14.5M - 1994	COMPANY NAME GPS Source
DESCRIPTION FFL L1FM PASSIVE FILTER L1 HIGH REJECTION TINY HSNQ	
SIZE C	GPSS FILE NAME 031-FFL-ABT-CCX-AGZ
SCALE 3:2	REVISION 002
MASS .1 lb	SHEET 1 of 1

4

3

2

1