

1

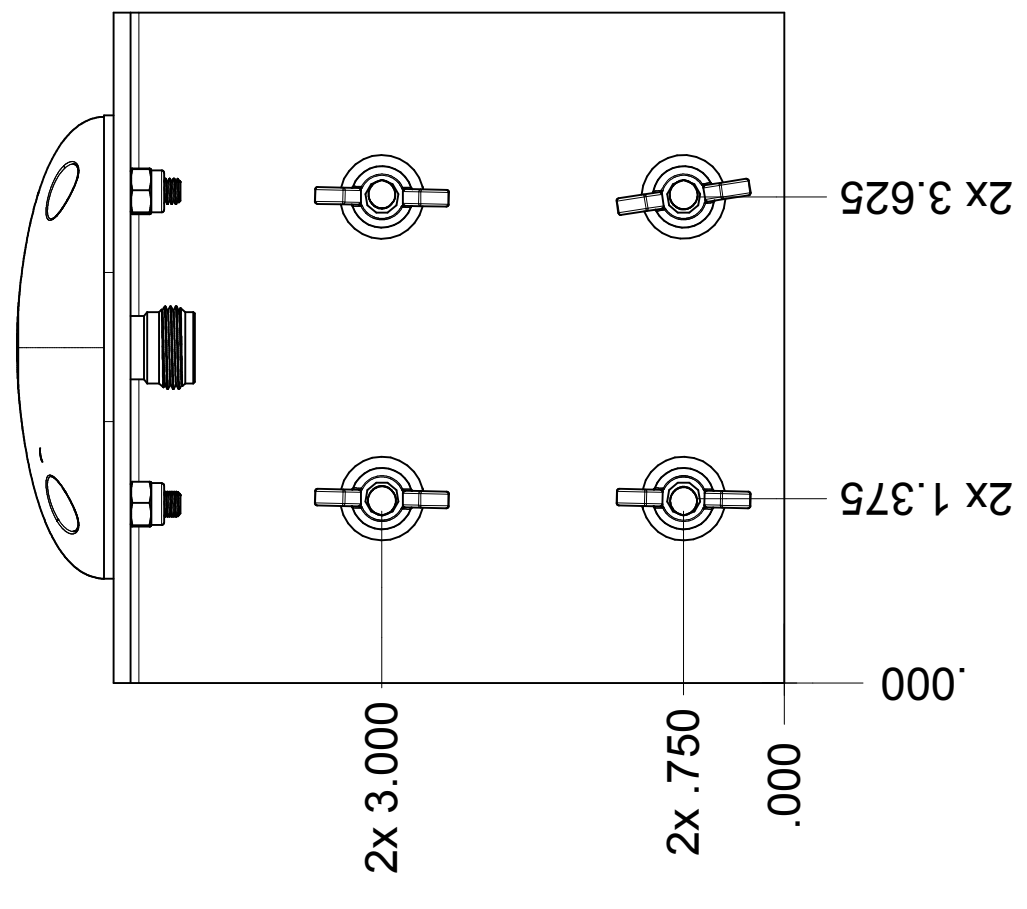
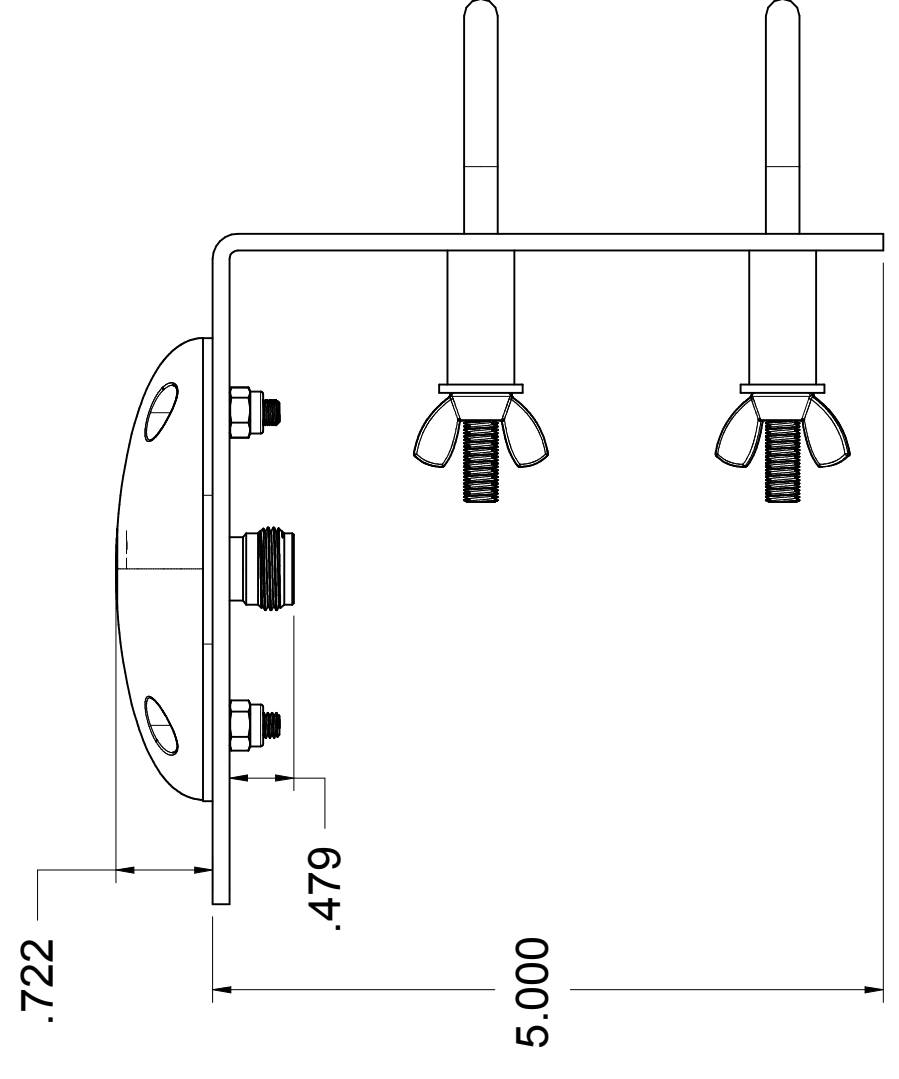
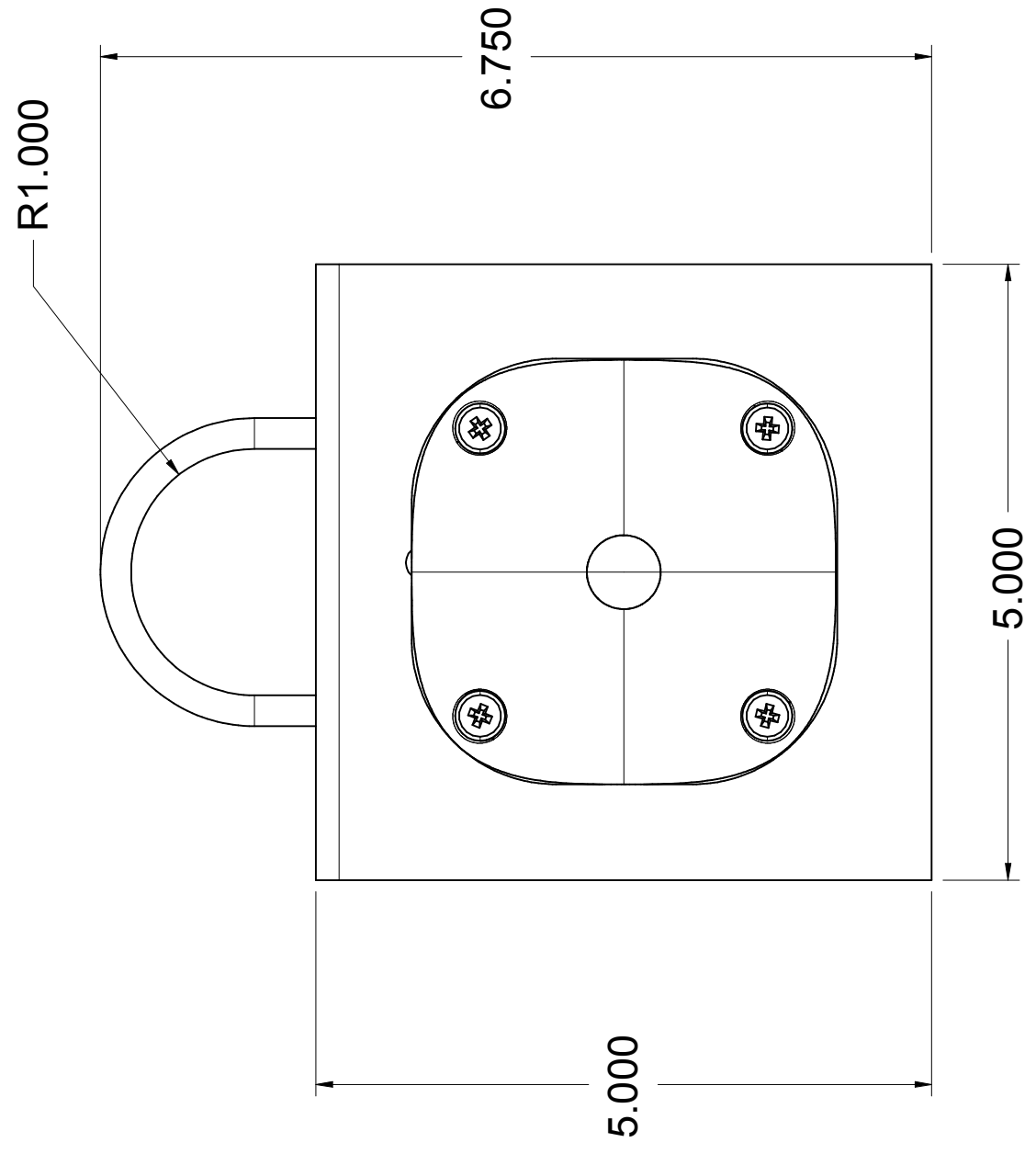
2

3

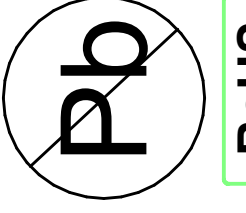
4

REVISIONS			
ZONE	REV	DESCRIPTION	DATE

NOTE:
1. THE MAX POLE DIAMETER FOR MOUNTING IS 2 INCHES.



ALL MATERIALS AND FINISHES SHALL COMPLY WITH EUROPEAN UNION RESTRICTION OF HAZARDOUS SUBSTANCES. (RoHS)



TOLERANCES UNLESS OTHERWISE SPECIFIED		DATE	DRAWN	THE INFORMATION CONTAINED IN THIS DESIGN SET IS THE SOLE PROPERTY OF GPS SOURCE. USE OF THIS DESIGN IS RESERVED EXCLUSIVELY FOR SAID COMPANY. REPRODUCTION OR DISTRIBUTION OF ANY PORTION OF THIS DESIGN IS FORBIDDEN WITHOUT THE EXPRESS WRITTEN CONSENT OF GPS SOURCE.	
LINEAR	± .01	11 SEP 1, 07	Thomas Taroya	UNLESS OTHERWISE SPECIFIED DIMENSIONS ARE IN INCHES IAW ASME Y14.5M-1994	COMPANY NAME
ANGULAR	± 1°		CHECKED		GPS Source
RADI	SEE LINEAR		QA		
MATERIAL	TBD		MFG		
FINISH	NONE		APPROVED		
DESCRIPTION	FAN L1 ACTIVE ANTENNA W/POLE MOUNT ASSY		SIZE	C	REV
GPS SOURCE PART NUMBER	FAN-MAQ-XCXRZ		3RD ANGLE PROJECTION	031-FAN-MAQ-XCXRZ	001A
SCALE	1 / 1.5	MASS	TBD	SHEET	1 OF 1

1

2

3

4