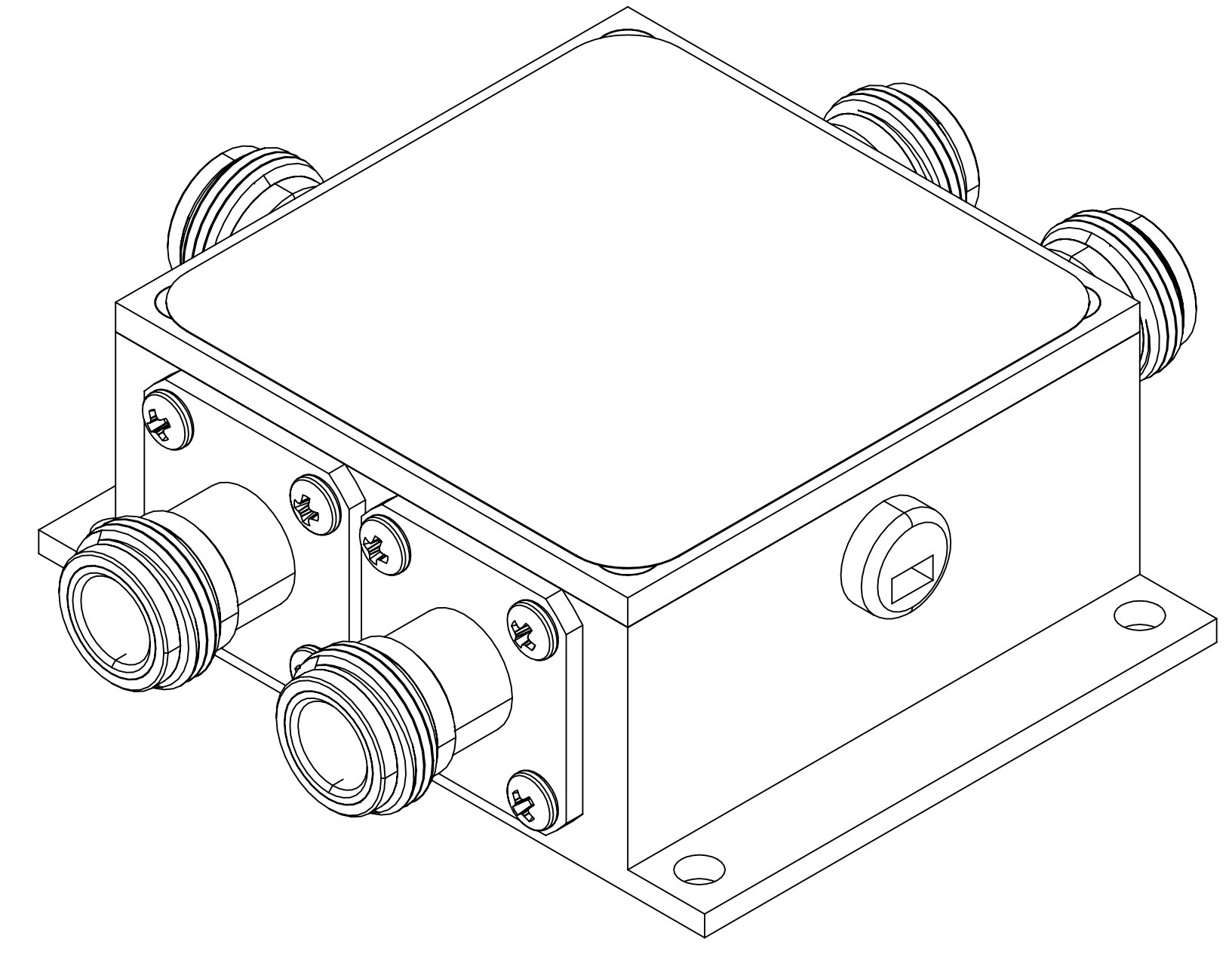
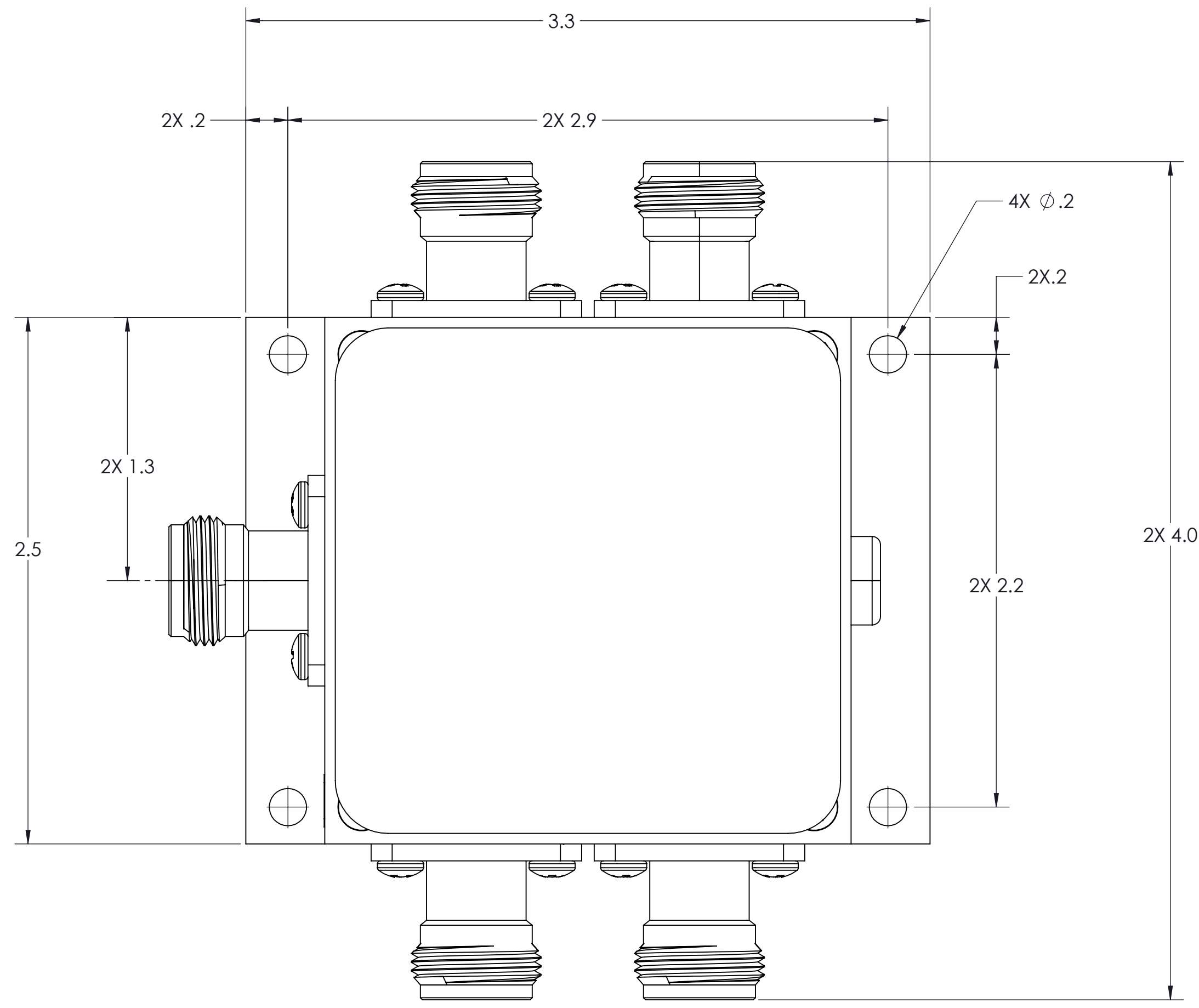
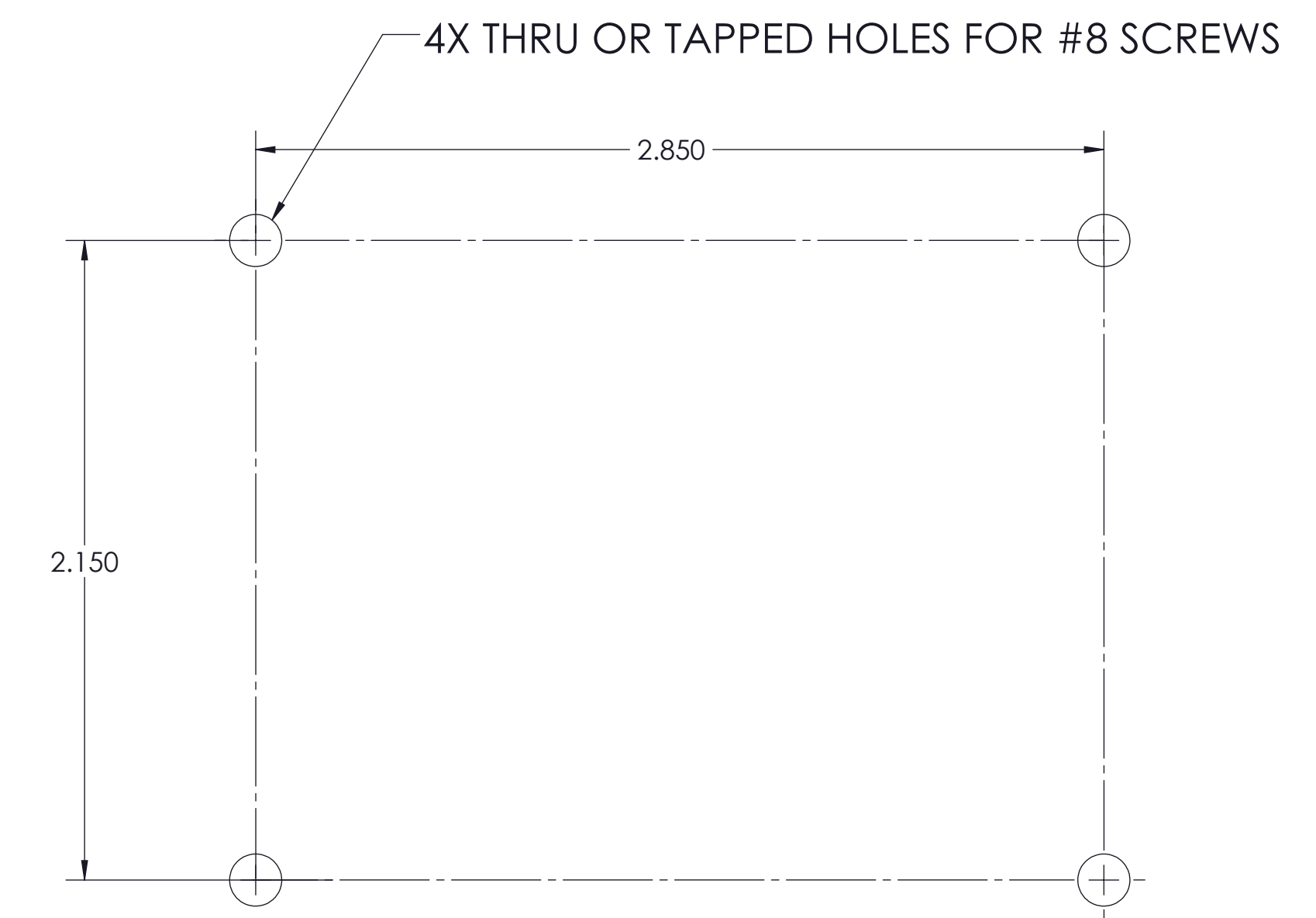
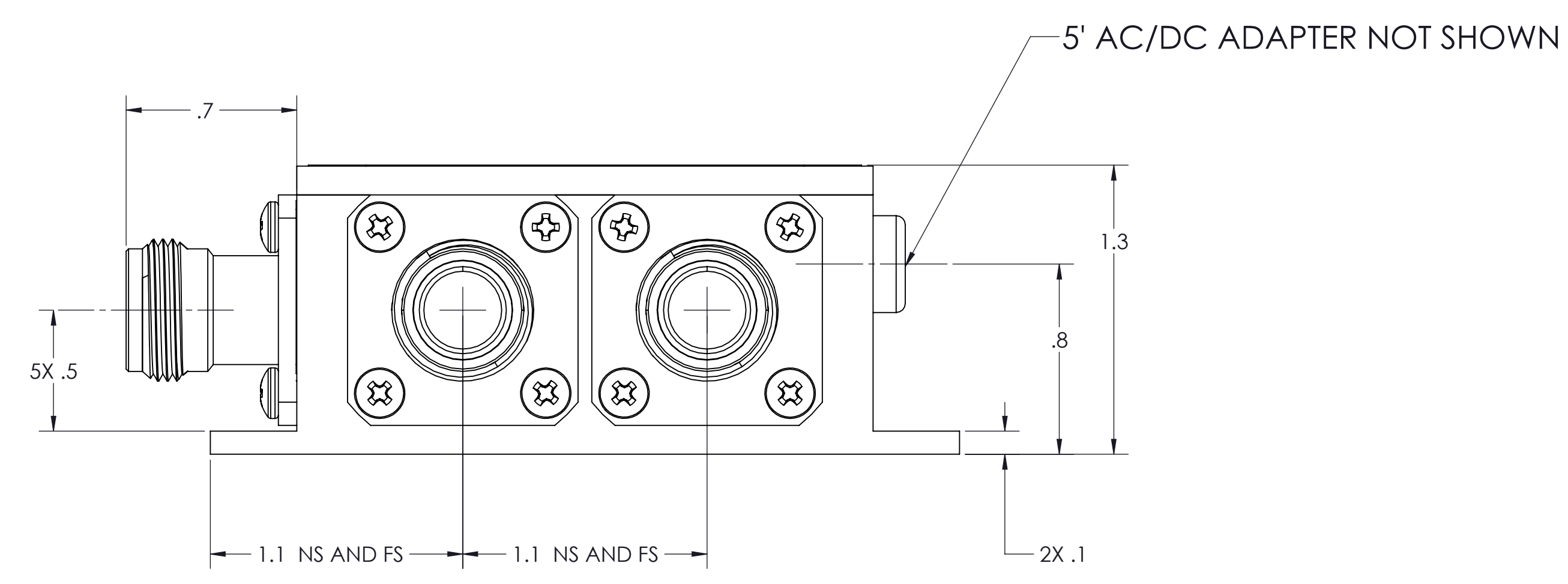


REVISIONS				
ZONE	REV.	DESCRIPTION	DATE	APPROVED
	001	PRODUCTION RELEASE	10-01-13	JDB
	002	REVISED PWR CONNECTOR	04-14-14	JDB
	003	REDLINE, REVISED WITH STD CONFIGURATION	10-22-15	JDB
	004	PRINT CLARIFICATION	12-09-15	JDB
	005	REDLINE, REVISED TO CORRECT THE VIEWS	07-23-18	JDB



ISOMETRIC VIEW
FOR REFERENCE ONLY



RECOMMENDED MOUNTING PATTERN

ALL MATERIALS AND FINISHES SHALL COMPLY WITH EUROPEAN UNION RESTRICTION OF HAZARDOUS SUBSTANCES (RoHS).



GPS SOURCE PART NUMBER
FSA-AFA-AAX-BBZ

TOLERANCES UNLESS OTHERWISE SPECIFIED		DRAWN	DATE
LINEAR	ANGULAR	J BROOKS	07-23-18
.X = ±.1	±1°	CHECKED	DATE
.XX = ±.01		B MADRILL	07-23-18
.XXX = ±.005	RADII	QA	DATE
	SEE LINEAR	M STORM	07-23-18
		MFG	DATE
MATERIAL		APPROVED	DATE
N/A		G GARDNER	07-23-18
FINISH			
N/A			

THE INFORMATION CONTAINED IN THIS DESIGN SET IS THE SOLE PROPERTY OF GPS SOURCE. USE OF THIS DESIGN IS RESERVED EXCLUSIVELY FOR SAID COMPANY. REPRODUCTION OR DISTRIBUTION OF ANY PORTION OF DESIGN IS FORBIDDEN WITHOUT THE EXPRESS WRITTEN CONSENT OF GPS SOURCE.		
UNLESS OTHERWISE SPECIFIED COMPANY NAME		GPS Source
DIMENSIONS ARE IN INCHES IAW ASME Y14.5M - 1994		
DESCRIPTION FSA 1 IN 4 OUT PWR 110VAC/5VDC TO ANT N(F) CONN PASSIVE		
SIZE	GPS FILE NAME	REV
D 3RD ANGLE PROJECTION	031-FSA-AFA-AAX-BBZ	005
SCALE: 2:1	MASS	lb
		SHEET 1 of 1