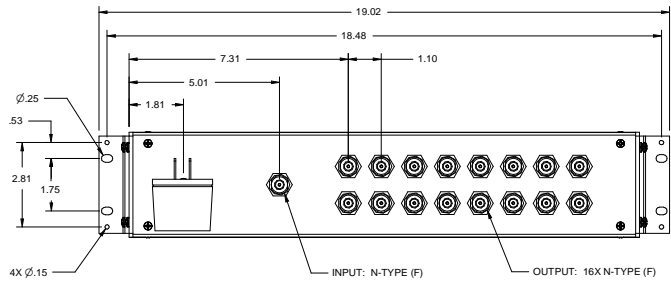
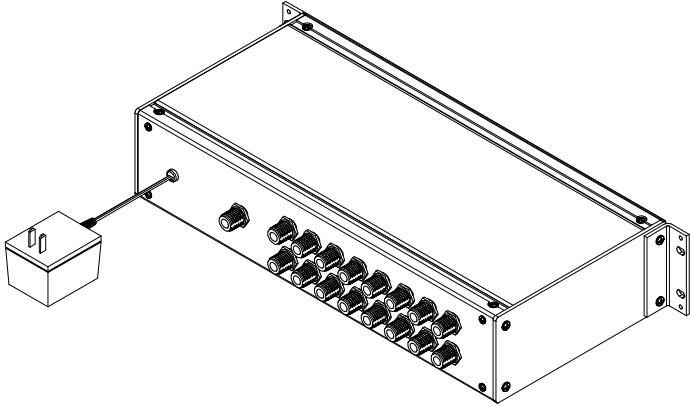
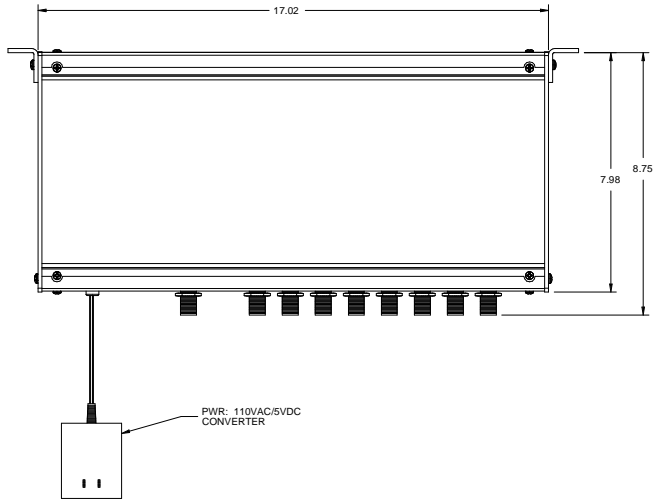


REVISIONS				
ZONE	REV	DESCRIPTION	DATE	APPROVED
	001A	INITIAL RELEASE	01-12-10	DSD
	001	PRODUCTION RELEASE	01-25-10	DSD
	002	PRINT CLARIFICATION	06-04-10	DSD



	<b>TOLERANCES UNLESS OTHERWISE SPECIFIED</b> LINEAR .X ± .1 .XX ± .01 .XXX ± .005 .XXXX ± .0005 ANGULAR ± 1° RADIUS SEE LINEAR	<b>DRAWN</b> R G STONE	<b>DATE</b> 06-04-10	<small>THE INFORMATION CONTAINED IN THIS DESIGN IS THE SOLE PROPERTY OF GPS SOURCE. USE OF THIS DESIGN IS HEREBY AUTHORIZED FOR YOUR COMPANY. REPRODUCTION OR DISTRIBUTION OF ANY PORTION OF DESIGN IS FORBIDDEN WITHOUT THE EXPRESS WRITTEN CONSENT OF GPS SOURCE.</small>
		<b>CHECKED</b> N SLOAN	<b>DATE</b> 06-04-10	
		<b>QA</b> S GENEVA	<b>DATE</b> 06-04-10	<b>DESCRIPTION</b> FSA 1 IN 16 OUT PWR 110/5VDC N(F)
<b>MATERIAL</b> SEE BOM		<b>MFG</b>	<b>DATE</b>	<b>SIZE</b> C
<b>FINISH</b> AS PROVIDED		<b>APPROVED</b> D DAWKINS	<b>DATE</b> 06-04-10	<b>3RD ANGLE PROJECTION</b>
GPS SOURCE PART NUMBER FSA-ABS-ABX-BBZ		<b>SCALE</b> 1:3	<b>MASS</b> 7.65 LBS	<b>GPS FILE NAME</b> 031-FSA-ABS-ABX-BBZ
		<b>SHEET</b> 1 OF 1		<b>REV</b> 002