

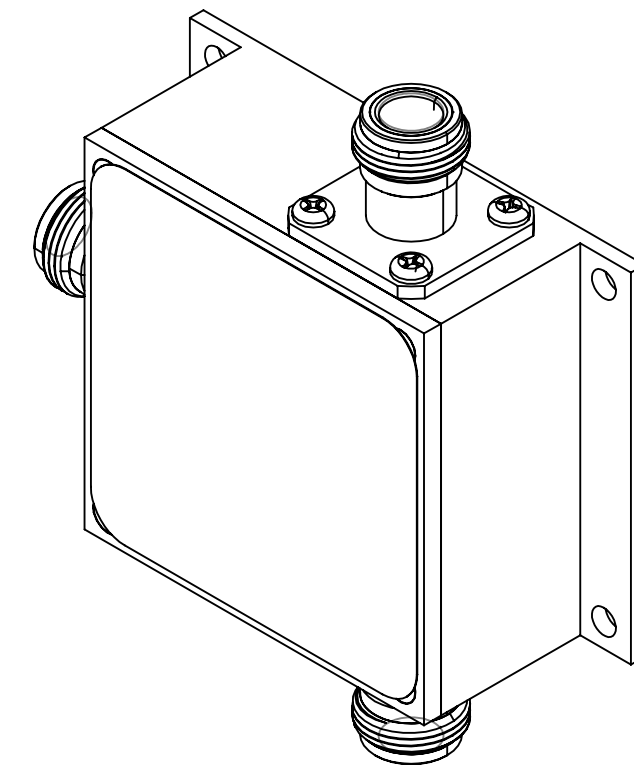
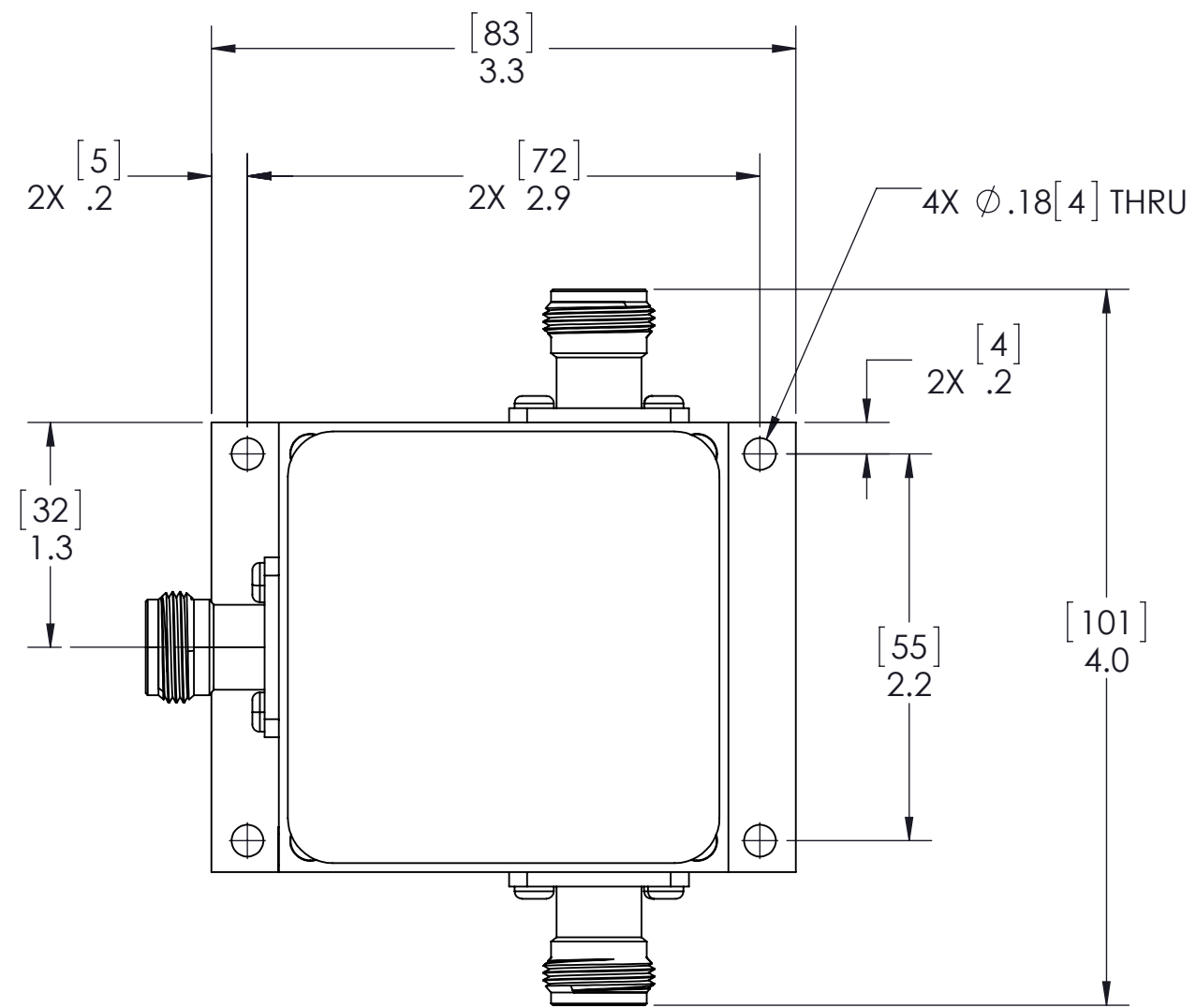
4

3

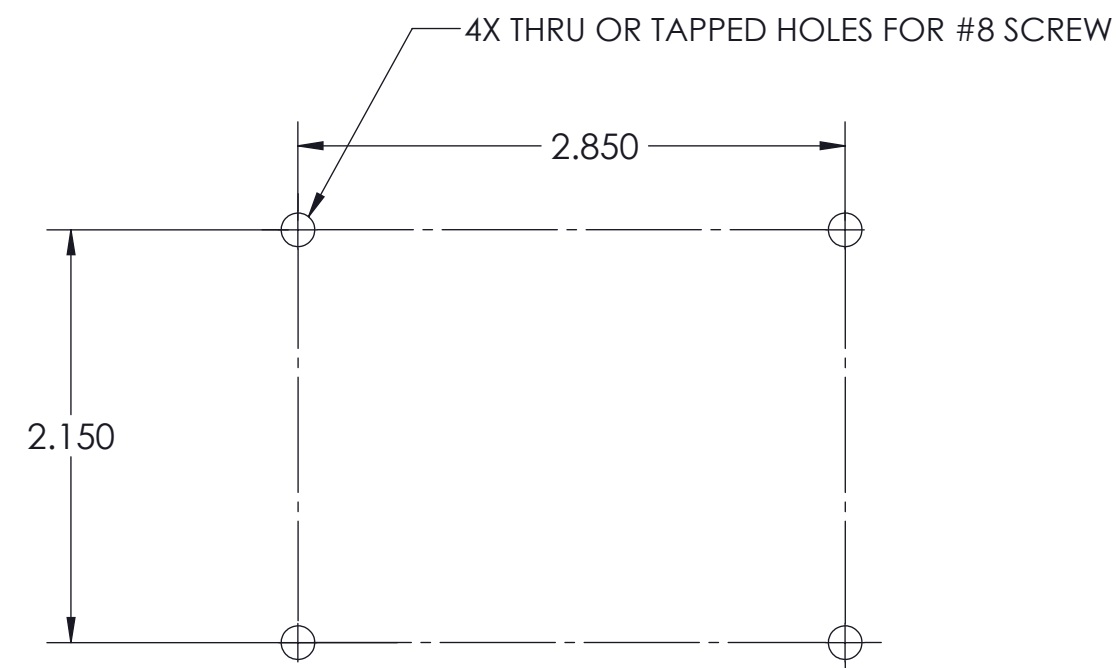
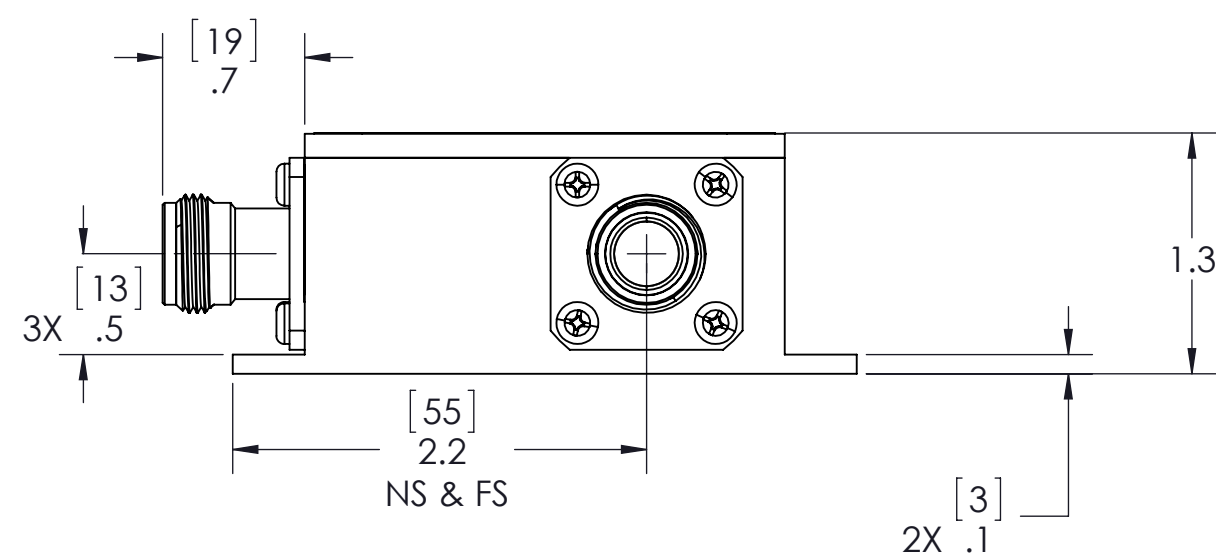
2

1

REVISIONS				
ZONE	REV.	DESCRIPTION	DATE	APPROVED
	001	PRODUCTION RELEASE	10-01-13	JDB
	002	REVISED PWR CONNECTOR	04-14-14	JDB
	003	REDLINE, REVISED WITH STD CONFIGURATION	10-22-15	JDB
	004	PRINT CLARIFICATION	12-09-15	JDB



ISOMETRIC VIEW  
FOR REFERENCE ONLY



RECOMMENDED MOUNTING PATTERN

ALL MATERIALS AND FINISHES SHALL COMPLY WITH EUROPEAN UNION RESTRICTION OF HAZARDOUS SUBSTANCES. (RoHS)



	TOLERANCES UNLESS OTHERWISE SPECIFIED		DRAWN J BROOKS	DATE 12-09-15	<small>THE INFORMATION CONTAINED IN THIS DESIGN SET IS THE SOLE PROPERTY OF GPS SOURCE. USE OF THIS DESIGN IS RESERVED EXCLUSIVELY FOR SAID COMPANY. REPRODUCTION OR DISTRIBUTION OF ANY PORTION OF DESIGN IS FORBIDDEN WITHOUT THE EXPRESS WRITTEN CONSENT OF GPS SOURCE.</small>
	LINEAR .X = ±.1 .XX = ±.01 .XXX = ±.005	ANGULAR ±1°  RADII SEE LINEAR	CHECKED B MADRILL	DATE 12-09-15	
GPS SOURCE PART NUMBER FSA-ABA-AAX-BBZ	MATERIAL N/A	FINISH N/A	QA M STORM	DATE 12-09-15	COMPANY NAME  <b>GPS Source</b>
			MFG	DATE	DESCRIPTION <b>FSA 1 IN 2 OUT PWR 110VAC/5DC TO ANT N(F) CONN PASSIVE</b>
			APPROVED J DREILING	DATE 12-09-15	SIZE <b>C</b>
					GPSS FILE NAME <b>031-FSA-ABA-AAX-BBZ</b>
					REV <b>004</b>
					SCALE 1:1 MASS <b>lb</b>
					SHEET 1 of 1

4

3

2

1

D

D

C

C

B

B

A

A