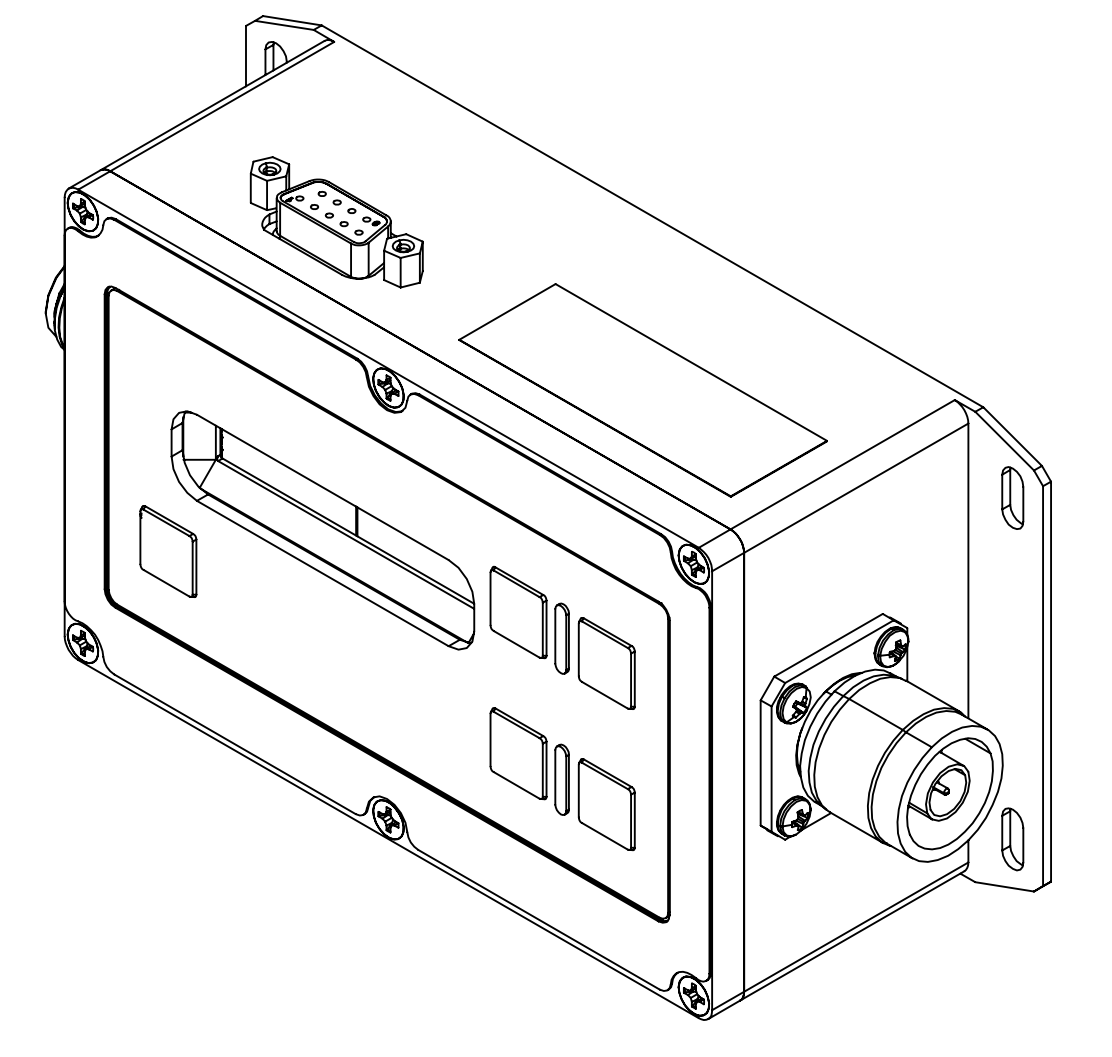
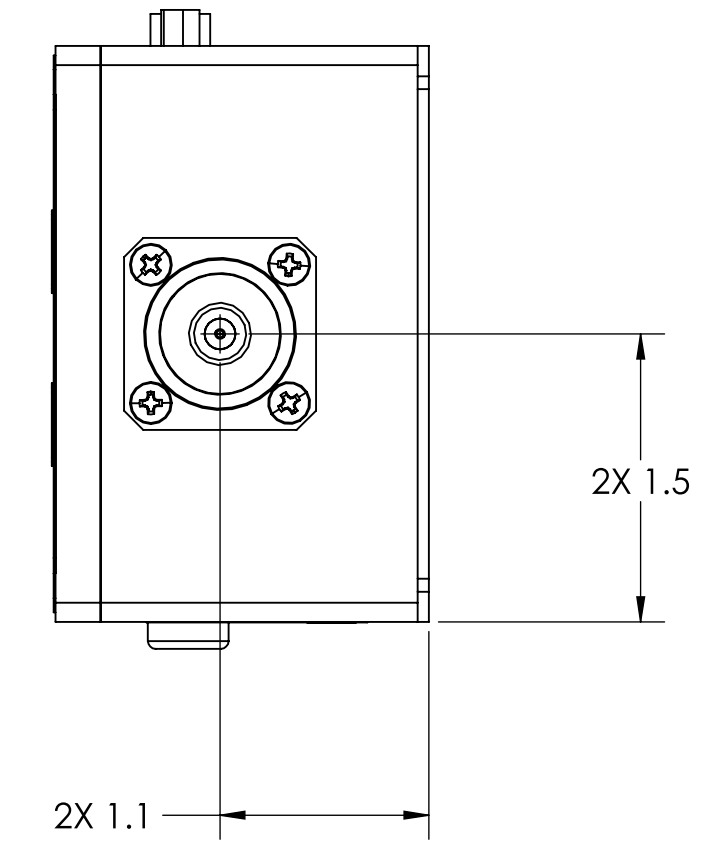
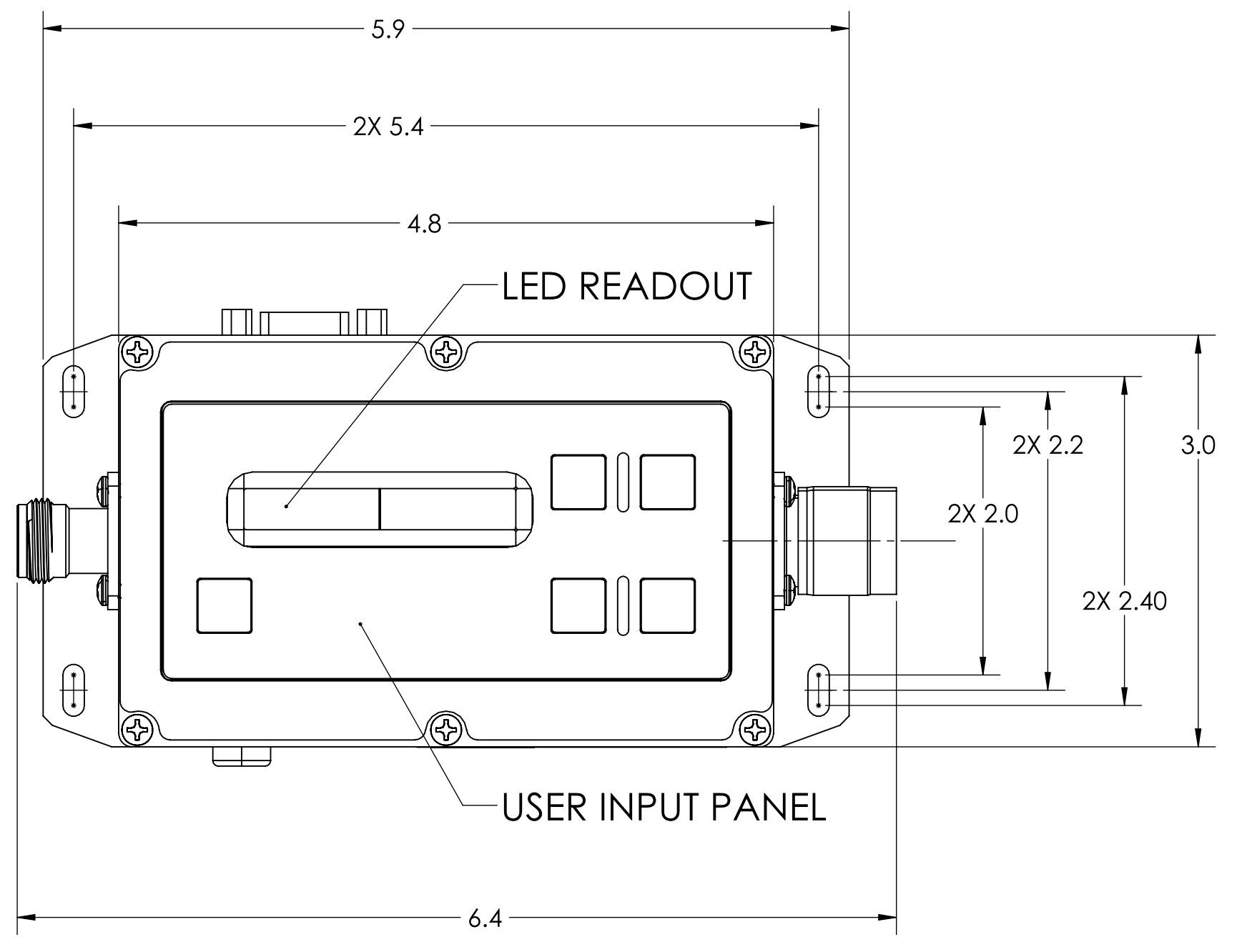
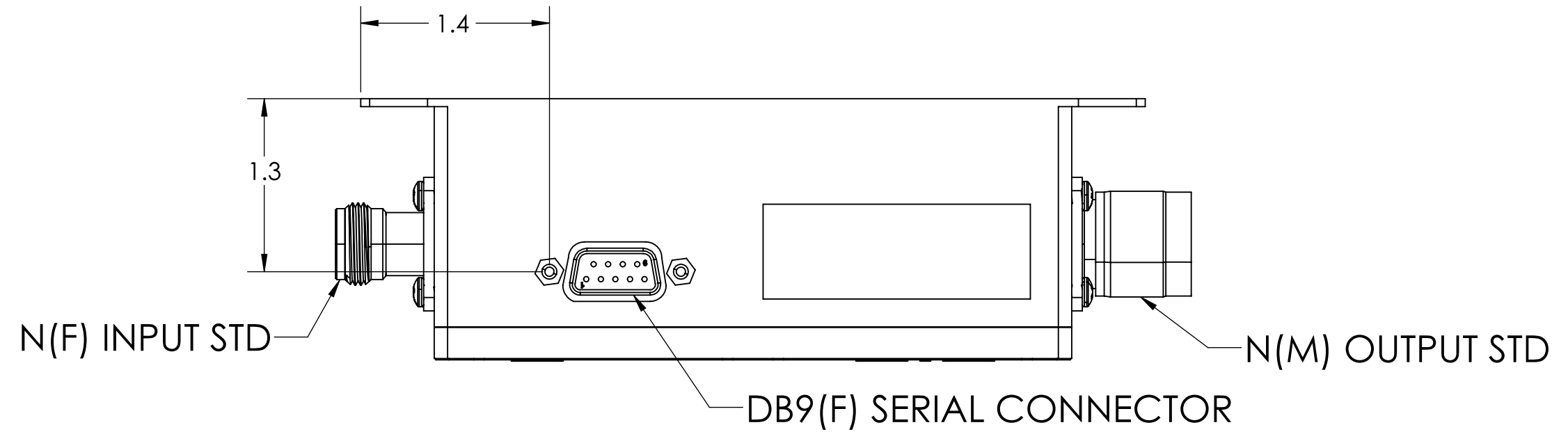
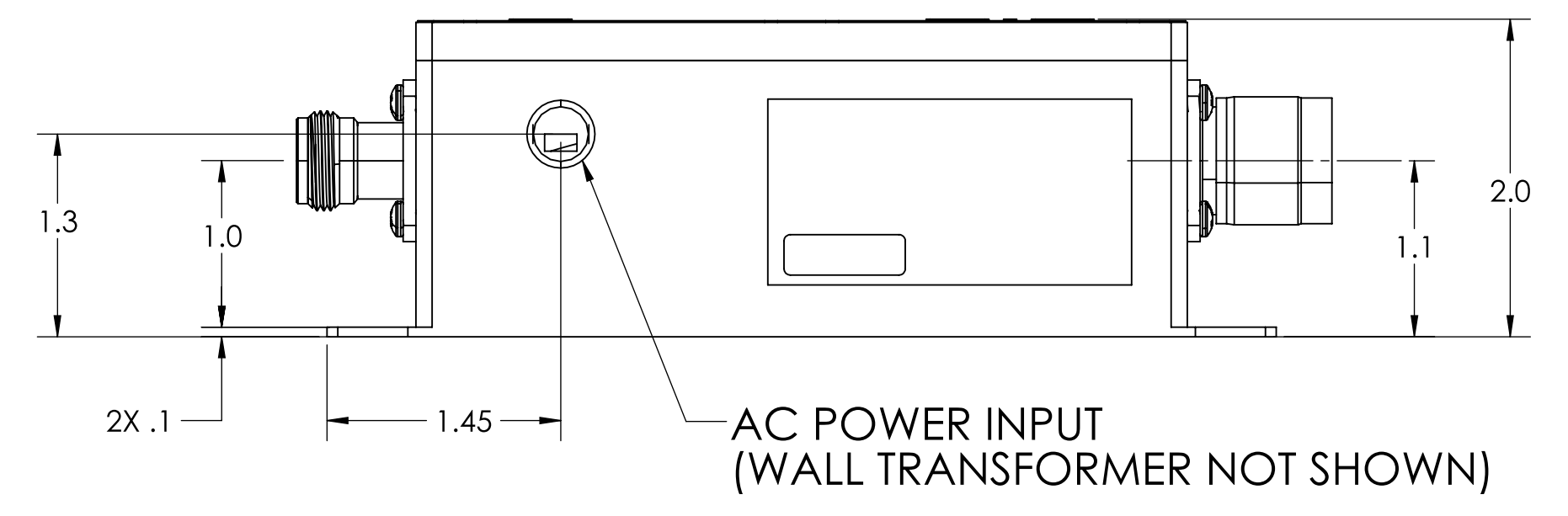


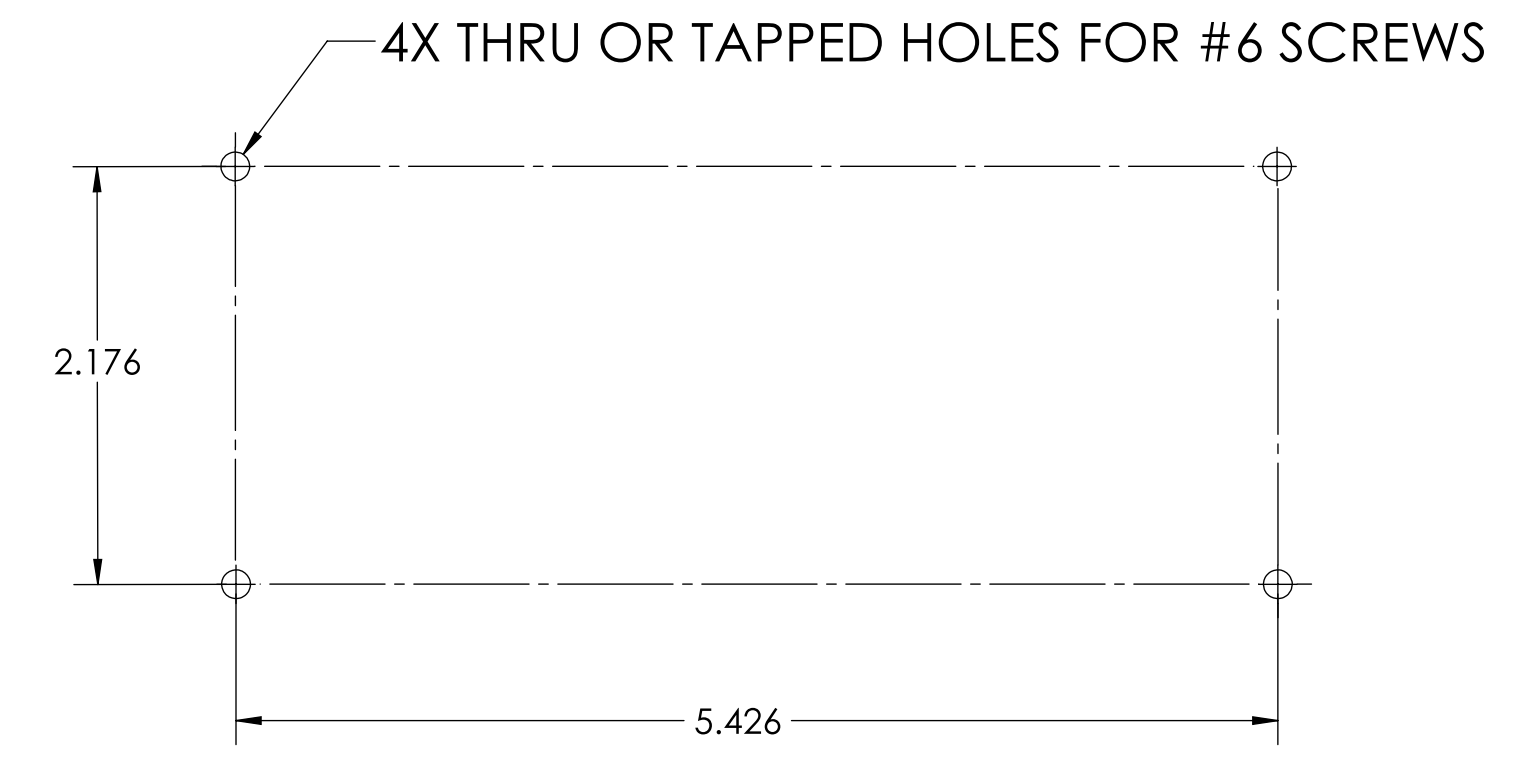
OPTION WITH MIL POWER



ISOMETRIC VIEW FOR REFERENCE ONLY



AC POWER INPUT (WALL TRANSFORMER NOT SHOWN)



RECOMMENDED MOUNTING PATTERN

ALL MATERIALS AND FINISHES SHALL COMPLY WITH EUROPEAN UNION RESTRICTION OF HAZARDOUS SUBSTANCES (RoHS).



GPS SOURCE PART NUMBER	TOLERANCES UNLESS OTHERWISE SPECIFIED		DRAWN	DATE	<small>THE INFORMATION CONTAINED IN THIS DESIGN SET IS THE SOLE PROPERTY OF GPS SOURCE. REPRODUCTION OR DISTRIBUTION OF ANY PORTION OF SAID COMPANY. REPRODUCTION OR DISTRIBUTION OF ANY PORTION OF DESIGN IS FORBIDDEN WITHOUT THE EXPRESS WRITTEN CONSENT OF GPS SOURCE.</small> <small>UNLESS OTHERWISE SPECIFIED COMPANY NAME</small> <b>GPS Source</b> <small>DESCRIPTION</small> <b>METRO-G L1/L2 SINGLE OUTPUT AMPLIFIER</b>
	LINEAR	ANGULAR	CHECKED	DATE	
	.X = ±.1	±1°	QA	DATE	
	.XX = ±.01	RADII SEE LINEAR	MFG	DATE	
.XXX = ±.005		APPROVED	DATE	<small>SCALE: 1:1</small> <small>MASS</small>	
MATERIAL N/A	FINISH N/A			<small>SIZE</small> <b>D</b>	<small>GPS FILE NAME</small> <small>REV</small>
<small>DESCRIPTION</small> <b>METRO-G L1/L2 SINGLE OUTPUT AMPLIFIER</b>					<small>SCALE: 1:1</small> <small>MASS</small>
<small>GPSS FILE NAME</small>					<small>REV</small>
<small>SCALE: 1:1</small>					<small>MASS</small>
<small>SCALE: 1:1</small>					<small>MASS</small>