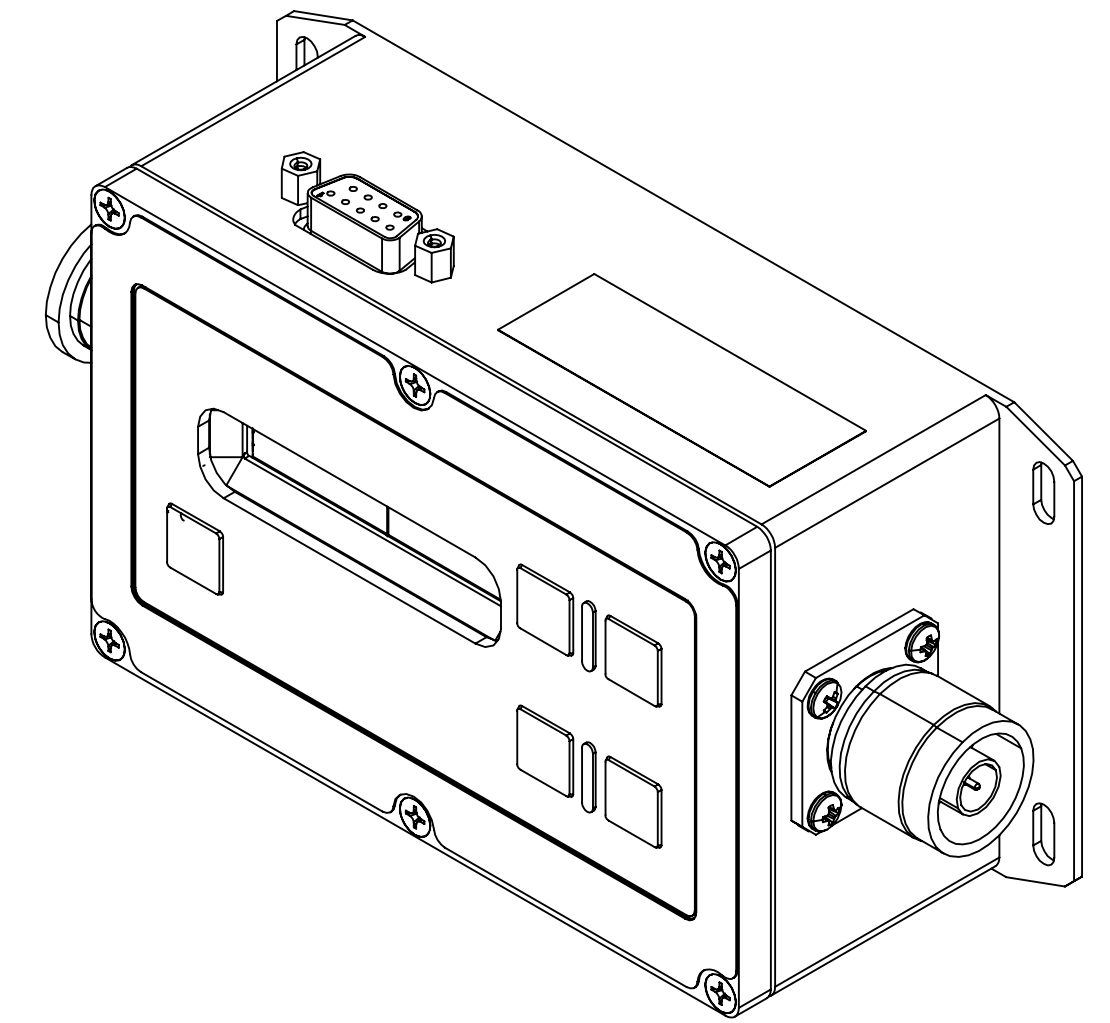
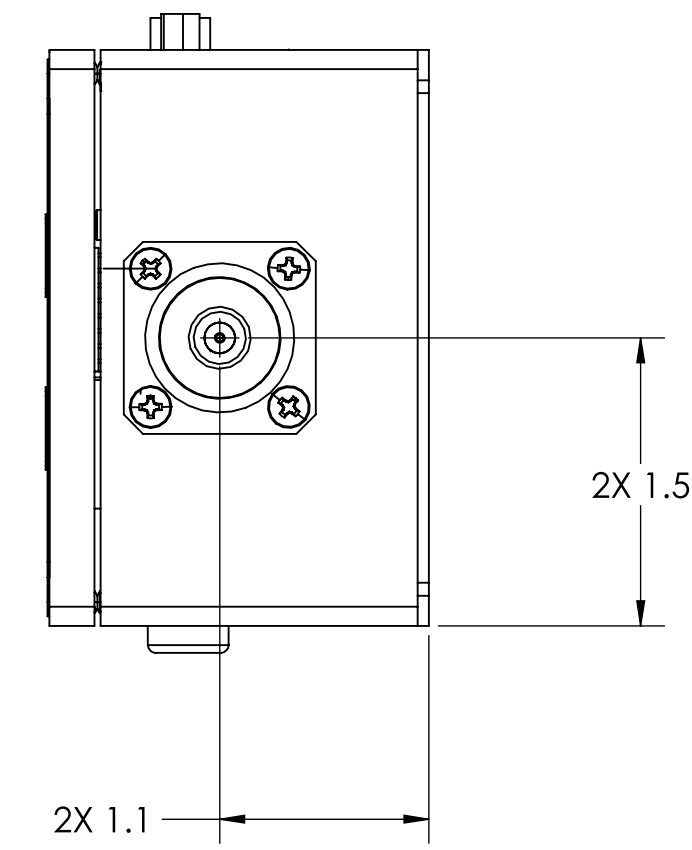
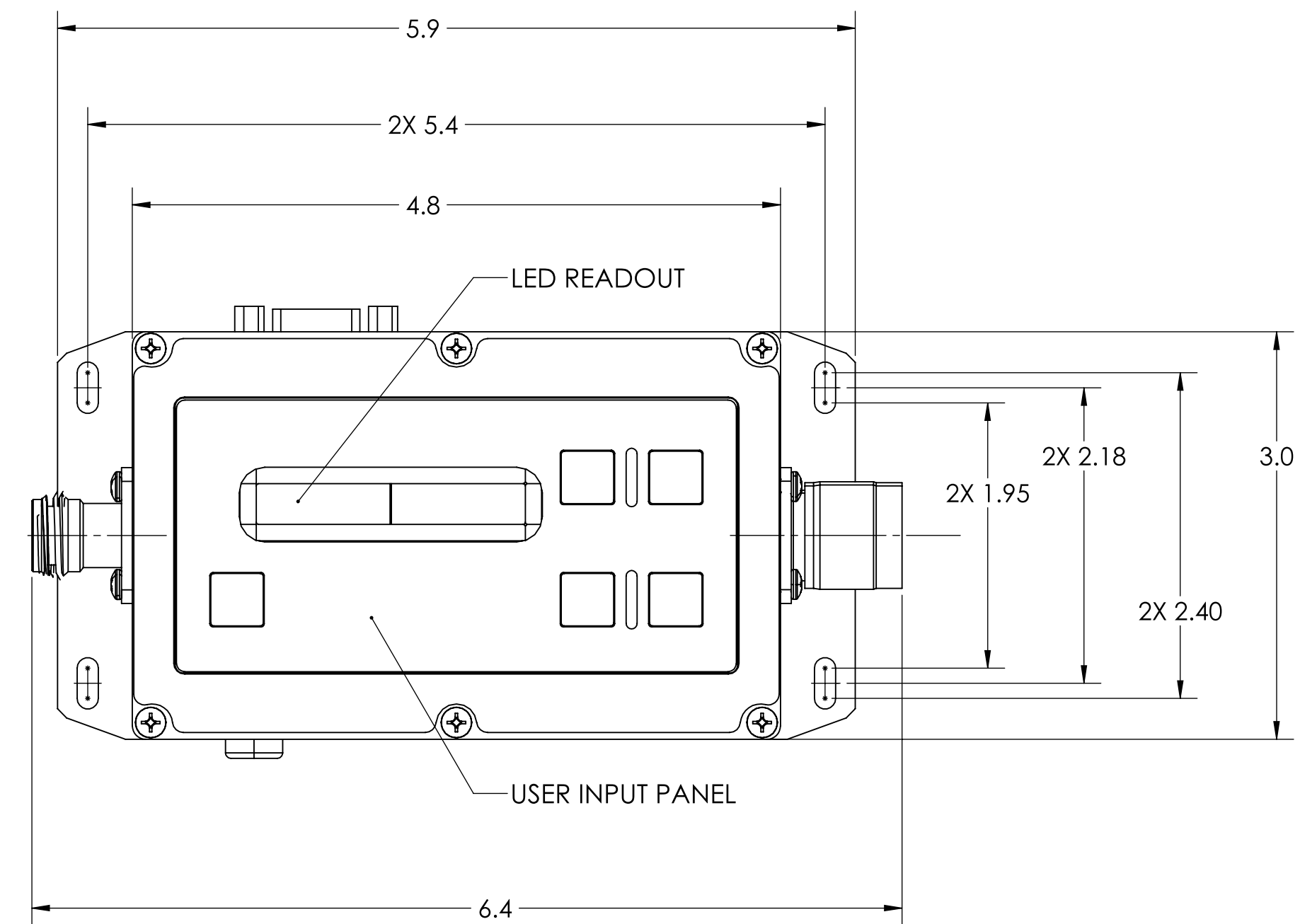
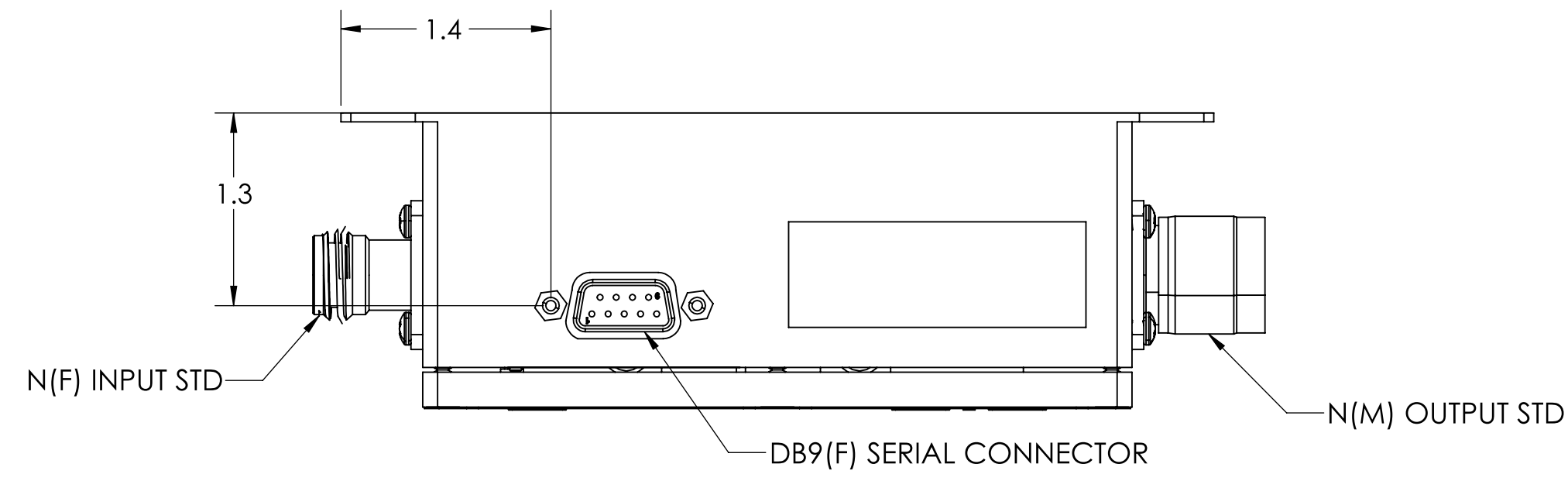
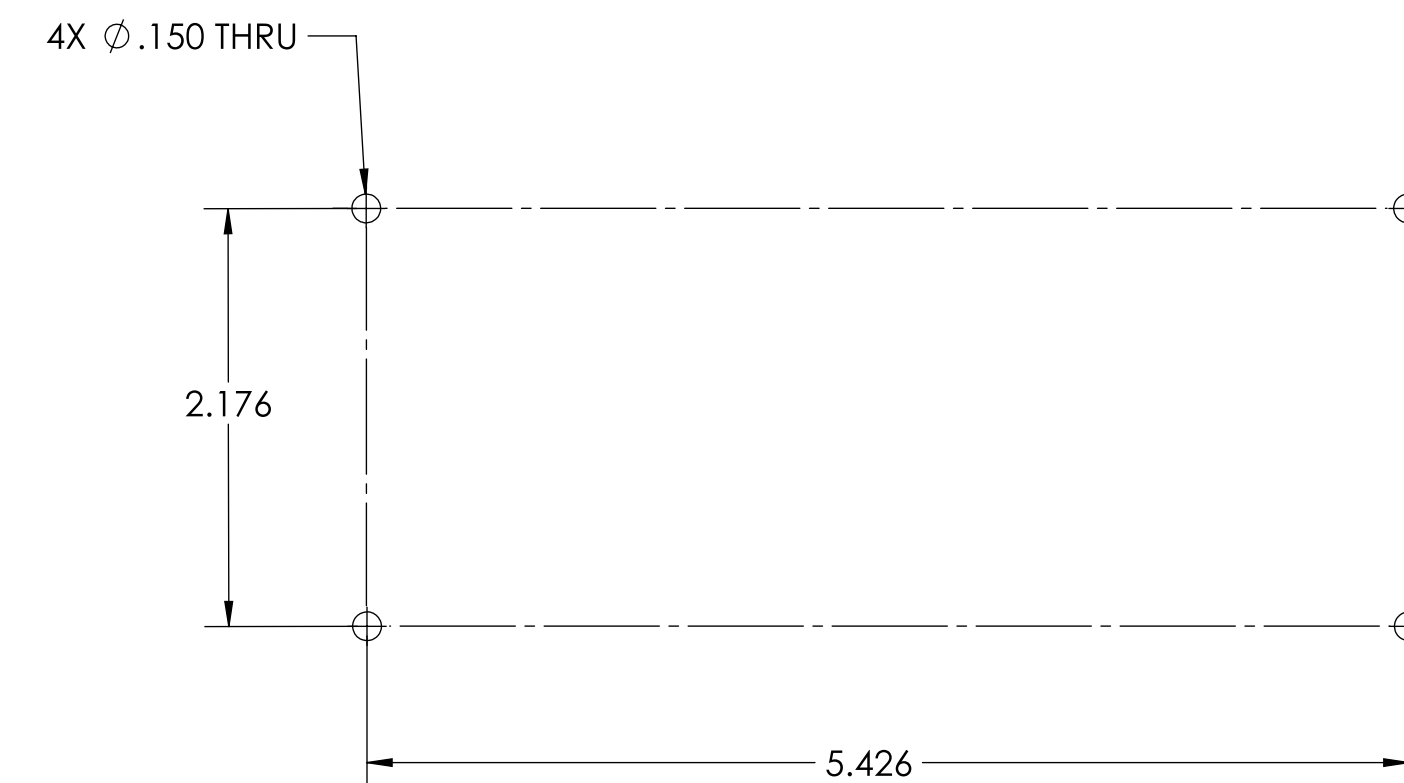
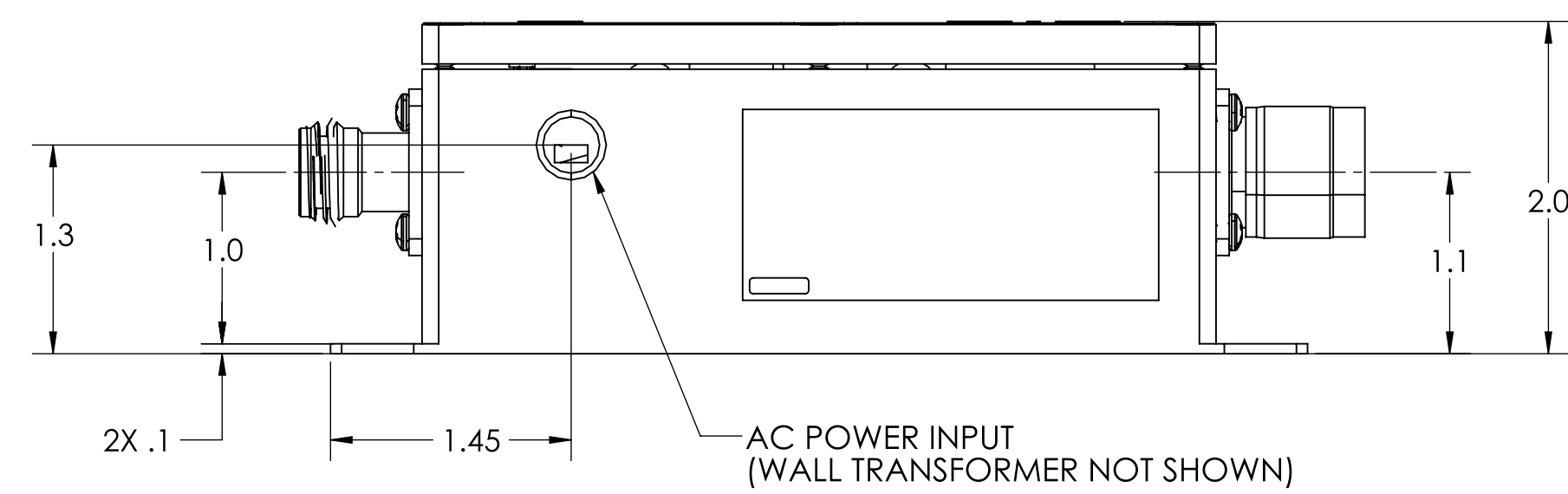


OPTION WITH MIL POWER WATERPROOFING



ISOMETRIC VIEW FOR REFERENCE ONLY



BOLT HOLE PATTERN

ALL MATERIALS AND FINISHES SHALL COMPLY WITH EUROPEAN UNION RESTRICTION OF HAZARDOUS SUBSTANCES (RoHS).



GPS SOURCE PART NUMBER

TOLERANCES UNLESS OTHERWISE SPECIFIED	
LINEAR	ANGULAR
.X = ±.1	±1°
.XX = ±.01	RADII
.XXX = ±.005	SEE LINEAR
MATERIAL	
N/A	
FINISH	
N/A	

DRAWN	DATE
CHECKED	DATE
QA	DATE
MFG	DATE
APPROVED	DATE

THE INFORMATION CONTAINED IN THIS DESIGN SET IS THE SOLE PROPERTY OF GPS SOURCE. USE OF THIS DESIGN IS RESERVED EXCLUSIVELY FOR SAID COMPANY. REPRODUCTION OR DISTRIBUTION OF ANY PORTION OF SAID DESIGN IS FORBIDDEN WITHOUT THE EXPRESS WRITTEN CONSENT OF GPS SOURCE.	
UNLESS OTHERWISE SPECIFIED	COMPANY NAME
DIMENSIONS ARE IN INCHES	GPS Source
DESCRIPTION	
METRO L1/L2 SINGLE OUTPUT AMPLIFIER	
SIZE	GPS FILE NAME
D 3RD ANGLE PROJECTION	REV
SCALE: 1:1	MASS lb SHEET 1 of 1