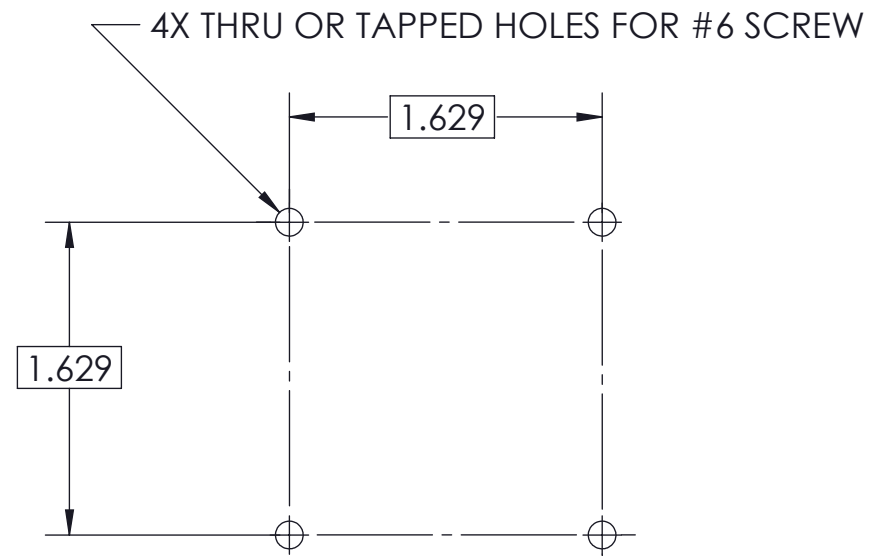
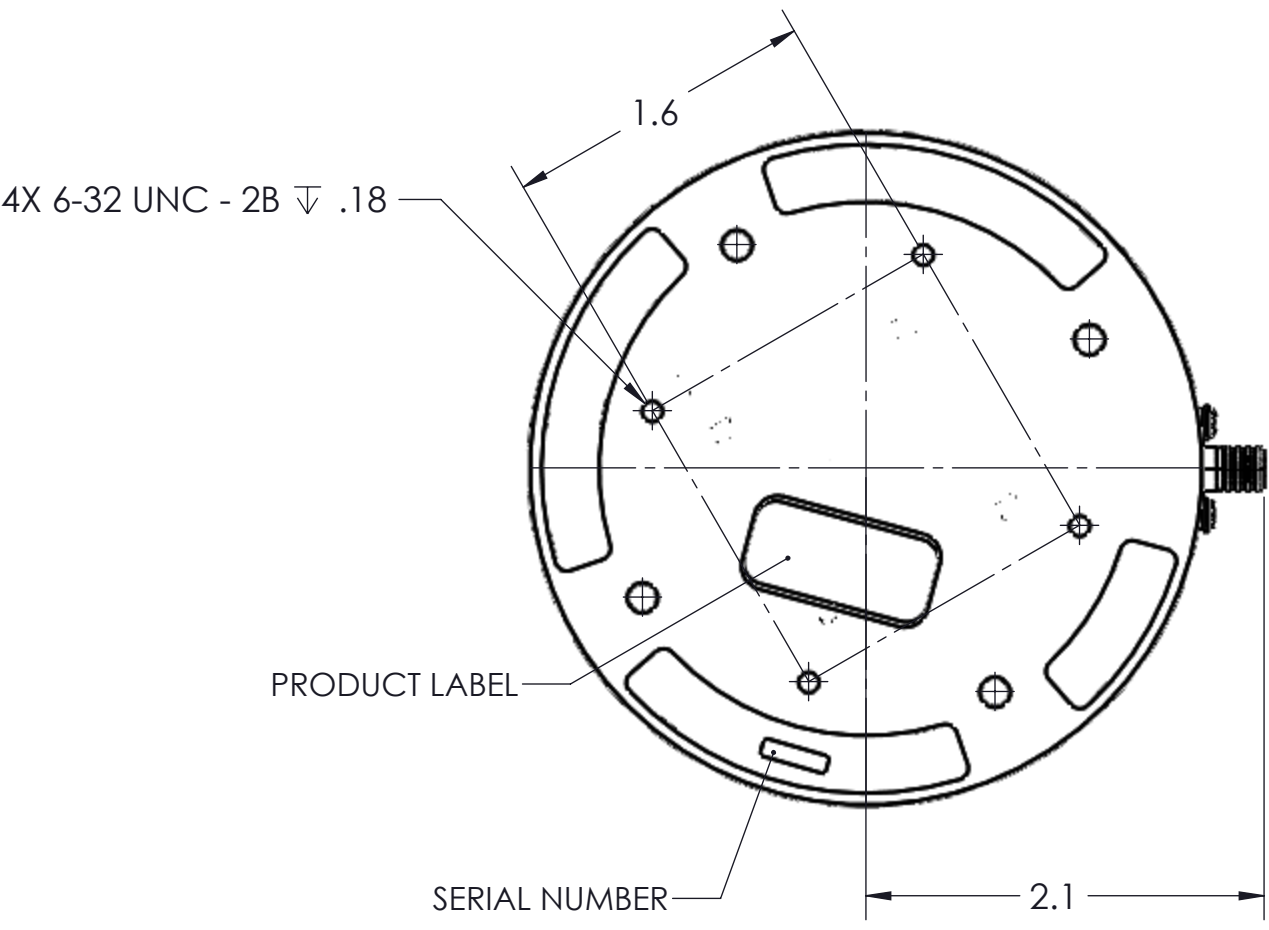
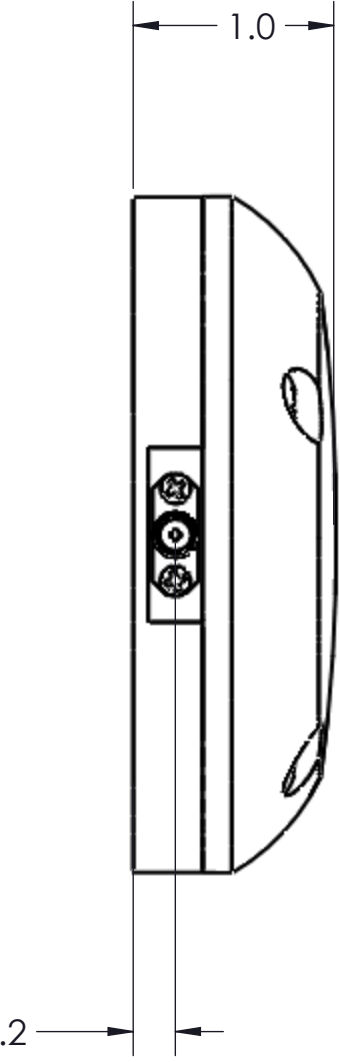
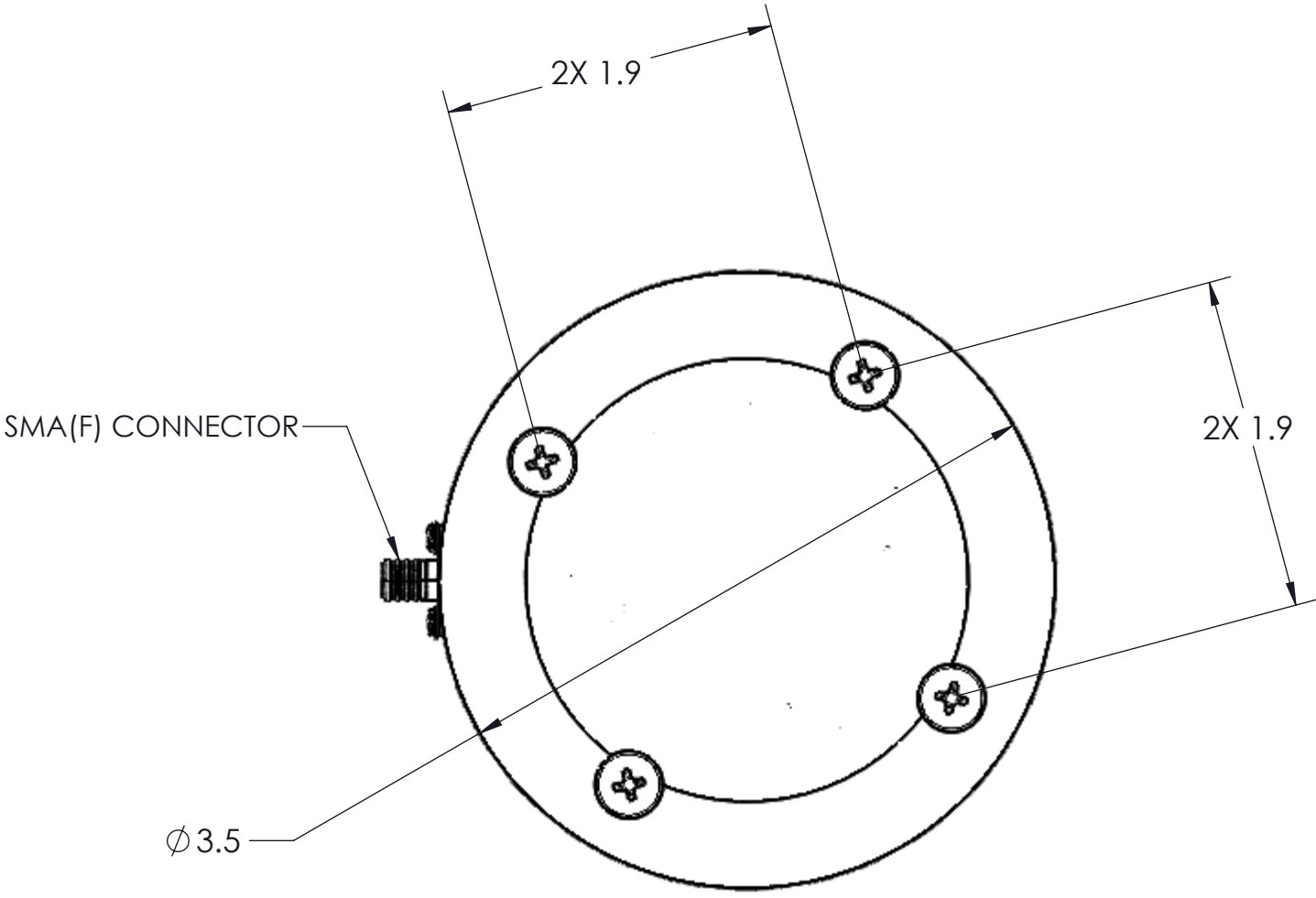
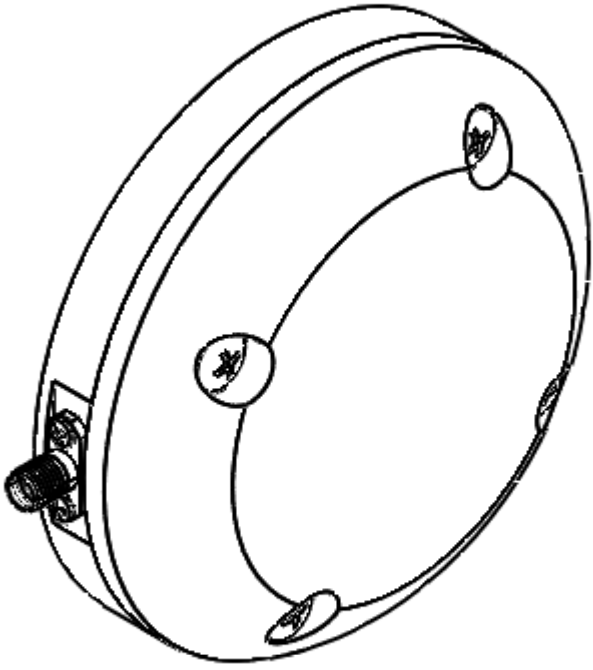


| REVISIONS |      |                    |          |          |
|-----------|------|--------------------|----------|----------|
| ZONE      | REV. | DESCRIPTION        | DATE     | APPROVED |
|           | 001  | PRODUCTION RELEASE | 03-05-14 | JDB      |



RECOMMENDED MOUNTING PATTERN



ALL MATERIALS AND FINISHES SHALL COMPLY WITH EUROPEAN UNION RESTRICTION OF HAZARDOUS SUBSTANCES. (RoHS)

|   |  |                                       |                   |  |  |
|---|--|---------------------------------------|-------------------|--|--|
|   | TOLERANCES UNLESS OTHERWISE SPECIFIED            |                                       | DRAWN<br>J BROOKS | DATE<br>03-05-14   | <small>THE INFORMATION CONTAINED IN THIS DESIGN SET IS THE SOLE PROPERTY OF GPS SOURCE. USE OF THIS DESIGN IS RESERVED EXCLUSIVELY FOR SAID COMPANY. REPRODUCTION OR DISTRIBUTION OF ANY PORTION OF DESIGN IS FORBIDDEN WITHOUT THE EXPRESS WRITTEN CONSENT OF GPS SOURCE.</small> |
|   | LINEAR<br>.X = ±.1<br>.XX = ±.01<br>.XXX = ±.005 | ANGULAR<br>±1°<br>RADII<br>SEE LINEAR | CHECKED           | DATE   |  |
| MATERIAL<br>N/A                           |  | QA<br>C ANTON                         | DATE<br>03-05-14  | COMPANY NAME<br><b>GPS Source</b>                        |  |
| GPS SOURCE PART NUMBER<br>FAN-AHD-CCY-RYZ | FINISH<br>N/A                                    | MFG<br>J MORRISON                     | DATE<br>03-05-14  | DESCRIPTION<br>FAN GNSS ACTIVE SIDE MOUNT SMA(F) ANTENNA |  |
|   |  | APPROVED<br>J DREILING                | DATE<br>03-05-14  | SIZE<br>   | GPSS FILE NAME<br>031-FAN-AHD-CCY-RYZ  |
|   |  |                                       |                   | SCALE 1:1  | MASS<br>lb   |
|   |  |                                       |                   |  | REV<br>001   |
|   |  |                                       |                   |  | SHEET 1 of 1   |