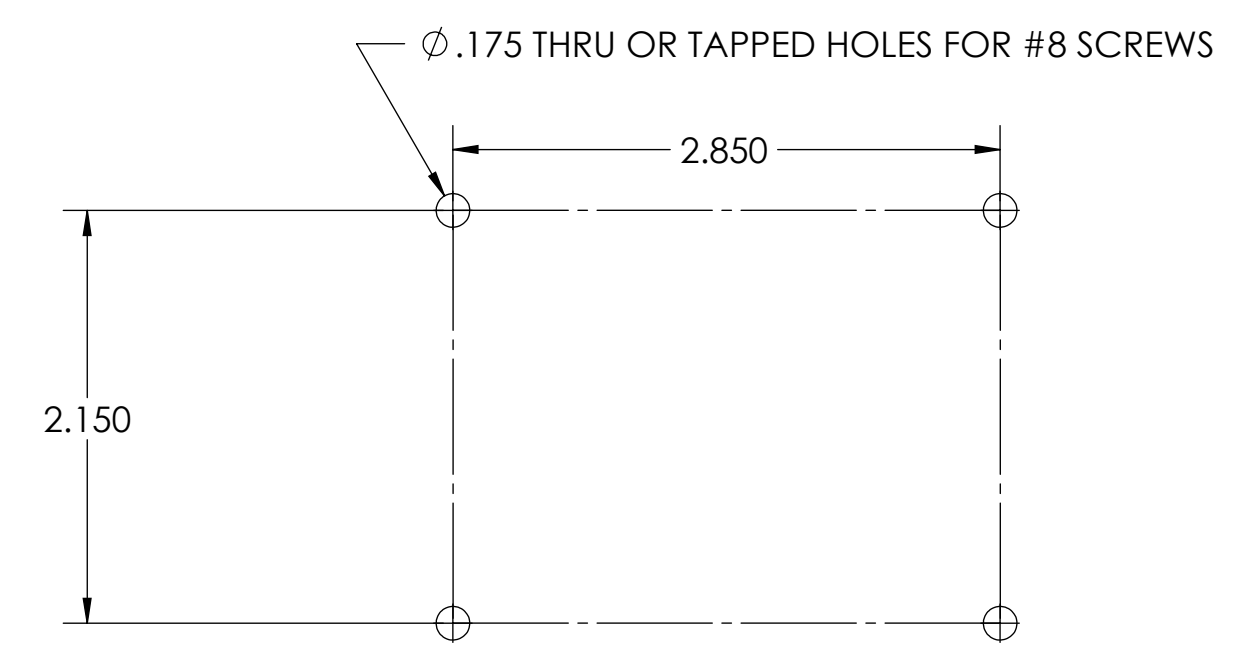
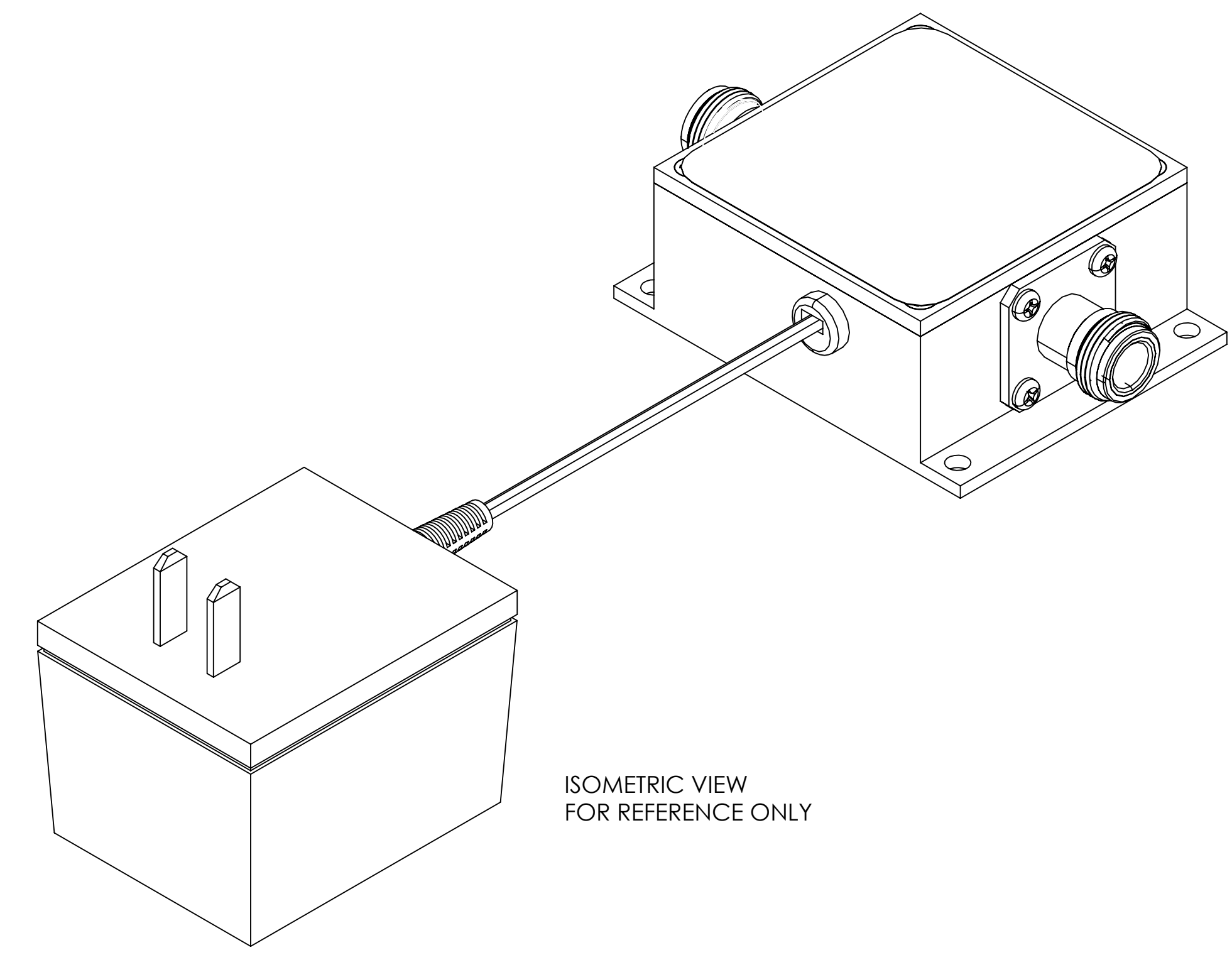
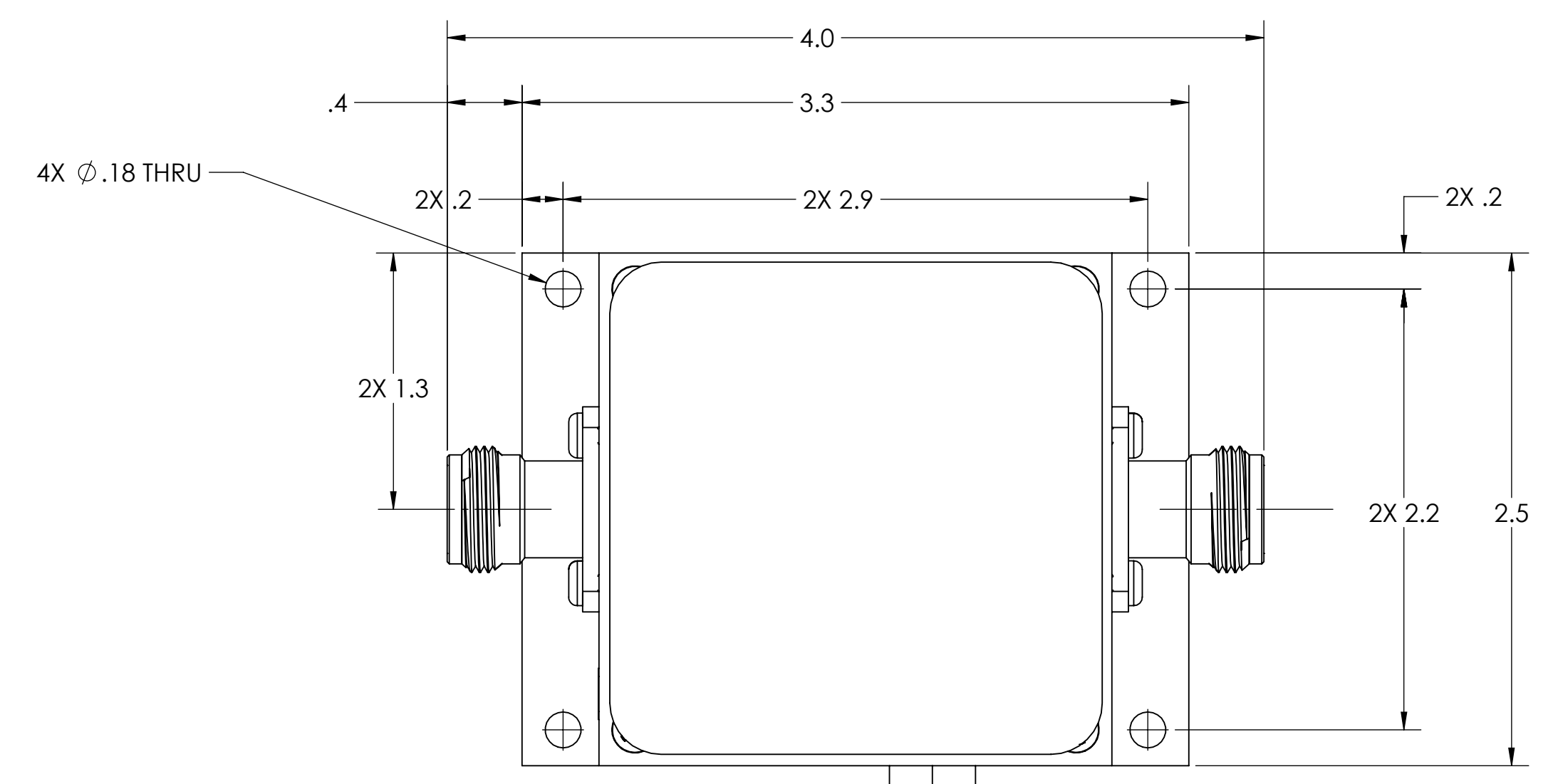
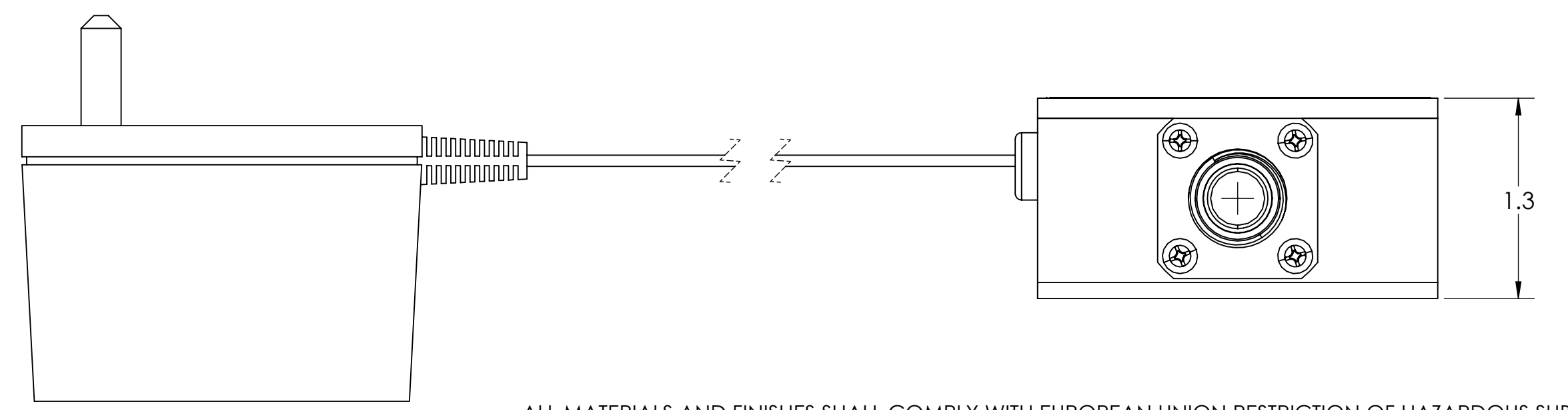
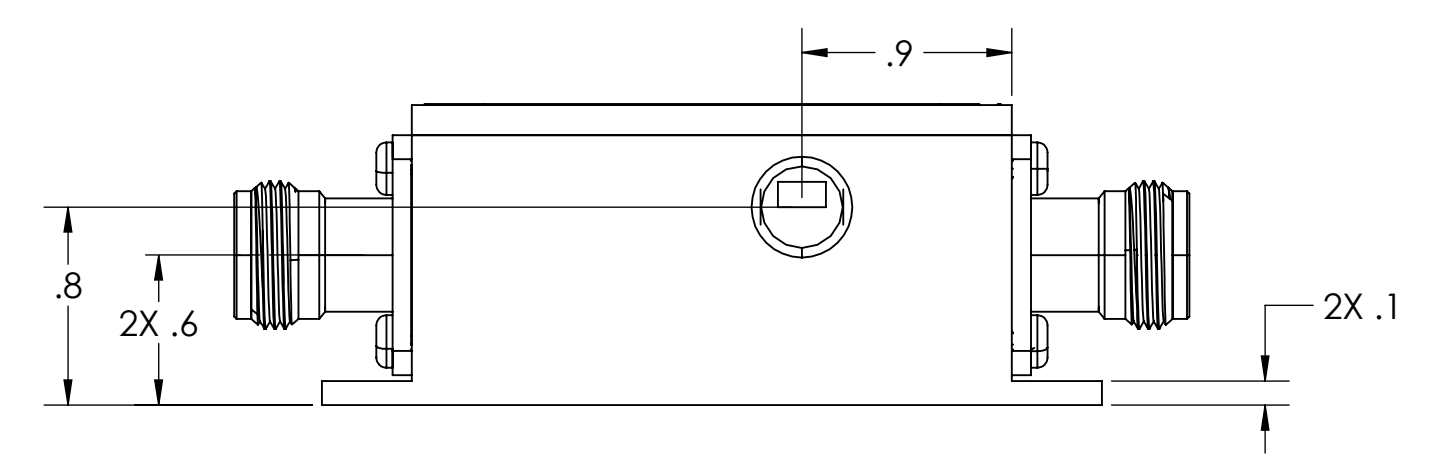


REVISIONS				
ZONE	REV.	DESCRIPTION	DATE	APPROVED
	001	PRODUCTION RELEASE	04-23-14	BRM
	002	UPDATED VIEWS WITH WALL WART	09-01-15	JDB



RECOMMENDED MOUNTING PATTERN



ALL MATERIALS AND FINISHES SHALL COMPLY WITH EUROPEAN UNION RESTRICTION OF HAZARDOUS SUBSTANCES (RoHS).



TOLERANCES UNLESS OTHERWISE SPECIFIED	
LINEAR	ANGULAR
.X = ±.1	±1°
.XX = ±.01	RADII
.XXX = ±.005	SEE LINEAR
MATERIAL	
N/A	
FINISH	
N/A	

DRAWN	DATE
J BROOKS	09-01-15
CHECKED	DATE
B MADRILL	09-01-15
QA	DATE
M STORM	09-01-15
MFG	DATE
APPROVED	DATE
J DREILING	09-01-15

THE INFORMATION CONTAINED IN THIS DESIGN SET IS THE SOLE PROPERTY OF GPS SOURCE. USE OF THIS DESIGN IS RESERVED EXCLUSIVELY FOR SAID COMPANY. REPRODUCTION OR DISTRIBUTION OF ANY PORTION OF DESIGN IS FORBIDDEN WITHOUT THE EXPRESS WRITTEN CONSENT OF GPS SOURCE.		
UNLESS OTHERWISE SPECIFIED COMPANY NAME		
GPS Source		
DESCRIPTION		
FAM A11-P110/5 STD AMP PWR 110/5		
N(F) CONN		
SIZE	GPS FILE NAME	REV
D	031-FAM-AAA-AAX-BBZ	002
SCALE: 1.25:1		
MASS	lb	SHEET 1 of 1