

POST TOP LIGHT

RL21A

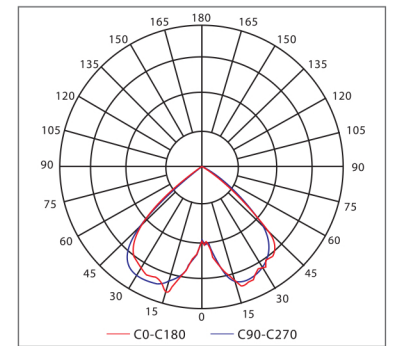
DIMENSION

17.7 inch

PHOTOMETRIC



25.6 inch



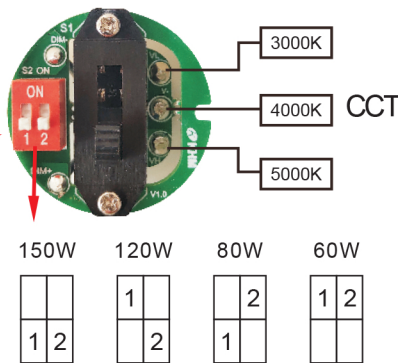
WATTAGE & CCT TURNABLE

MODEL NO.	POWER FACTOR	AVAILABLE WATTAGE	LUMENS	AVAILABLE	CRI	INPUT VOLTAGE
RL21A-150MW-50KMC-LV-D	>0.92	150W-120W-80W-60W	19,500LM-16,200LM-11,200LM-9,000LM	3000K 4000K 5000K	>70	120-277V

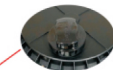


G1/2"

WATT



Integral heat sink fins, excellent heat dissipation performance.



Shorting Cap with Receptacle



SINGLE WATTAGE & CCT

MODEL	VOLTAGE (V)	WATT(W)	5000K EFFICACY (LM/W)	5000K LUMENS (LM)	BEAM ANGLE (H-V)	REPLACE	DIMMING	CRI	POWER FACTOR	AVAILABLE CCT(K)
RL21A-60	120-277	60	107	6420	105°*105°	150-175W HID	Available	>75	>0.92	4000 5000
RL21A-80	120-277	80	111	8880	105°*105°	175-320W HID	Available			
RL21A-100	120-277	100	110	11000	105°*105°	320-450W HID	Available			
RL21A-150	120-277	150	108	16200	105°*105°	400-600W HID	Available			

PACKAGE INFORMATION

MODEL	INNER BOX (MM)	MASTER CARTON (MM)	QTY/ CTN	NET WEIGHT (KG)	GROSS WEIGHT (KG)	CUBIC METER
RL21A-60/80/100/150	N/A	500*500*200	1	6.5	7.8	0.05

OPTIONAL ACCESSORIES



10KV SPD
120-277V



SHPRTING CAP
WITH RECEPTACLE
120-277V



PHOTOCELL WITH
RECEPTACLE
120-277V