

# LED WALL PACK LIGHT 60W

C&C Lighting Inc. Technical Data Sheet



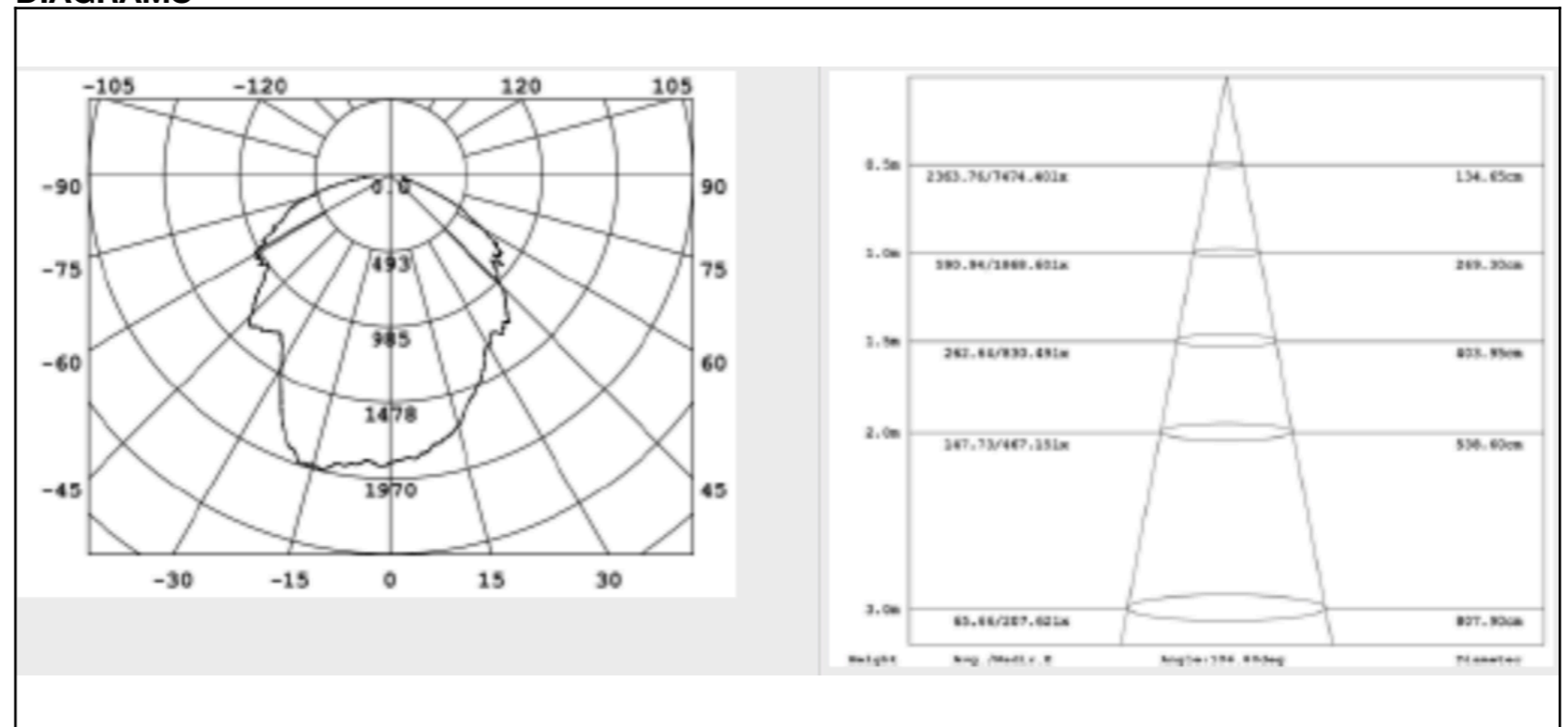


LED Wall Pack light is an alternative light source with longer lifespan and more uniformed light distribution.

### TECHNICAL SPECIFICATION

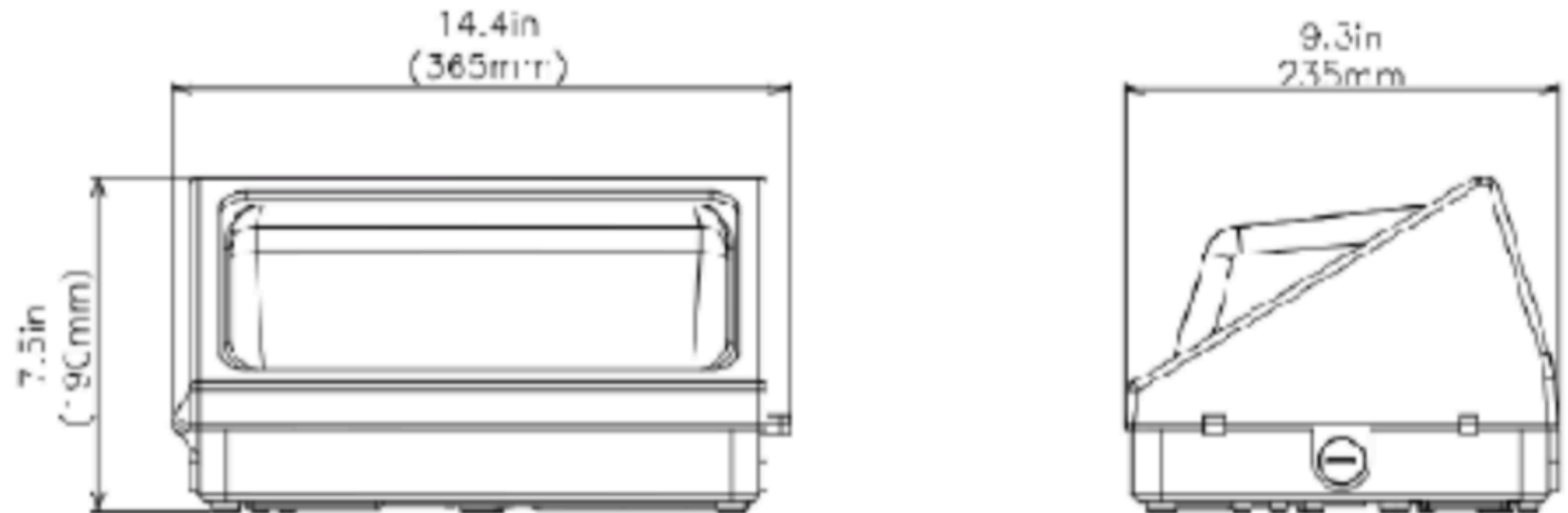
PRODUCT NAME	LED Wall Pack Light
POWER	60W
EFFICACY	120Lm/W
LUMEN	7200Lm
CCT	4000K
BEAM ANGLE	90°
CRI	70Ra
WEIGHT	2400g
LIFESPAN	45000hours
BASE	Line interface
VOLTAGE	120-277V
MATERIAL	ADC12 / PC

### DIAGRAMS



**ENVIRONMENTAL REQUIREMENT**

OPERATIONAL TEMPERATRUE RANGE	-40~40°C
PRESERVATION TEMPERATURE RANGE	-40~90°C
OPERATIONAL HUMIDITY RANGE	95%RH or below (@-20~40°C)
INSTALLATION AREA	Outdoor (counter, residential, commercial, and etc.)

**DRAWING****PACKING**

DIMENSION	365x235x190mm
NET WEIGHT	2.4kg
SIZE OF BOX	385x265x240mm
GROSS WEIGHT	2.73kg
SIZE OF CARTON	560x400x480mm
QUANTITY /CTN	4pcs
WEIGHT /CTN	12.6kg



### USAGE SCENARIO

