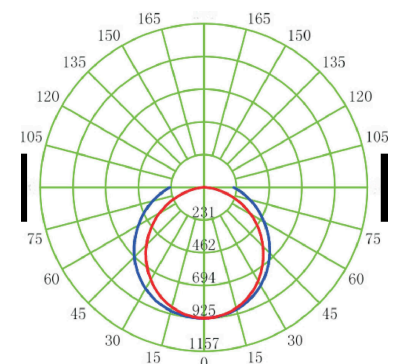
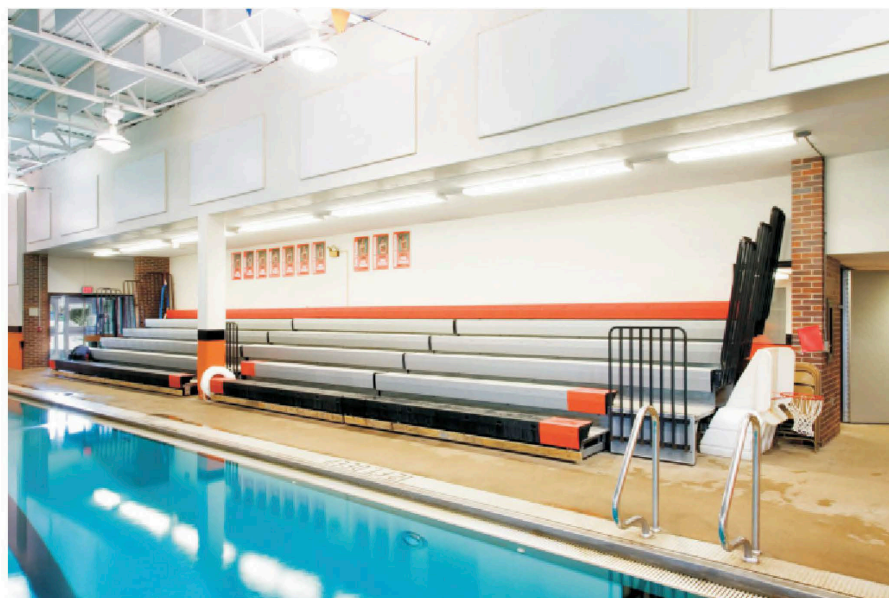
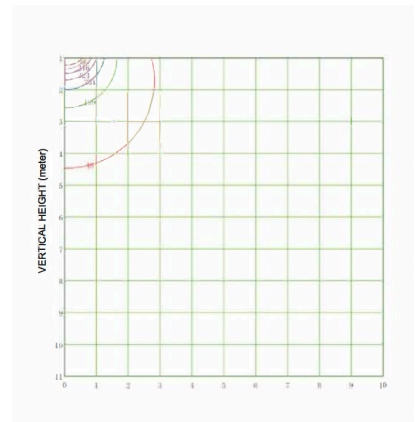
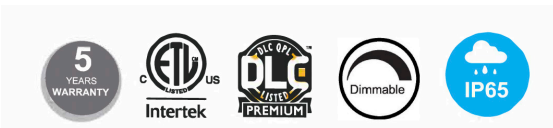




## FEATURE

- Adjustable Wattage to meet different customer demand
- 0-10V Dimmable
- Body: Aluminum Heatsink for Efficient Heat Dissipation
- Diffusers are extruded from impact modified acrylic for increased durability
- IP 65, water tight and dust tight
- Suitable for wet location
- Available in 4 foot and 8 foot
- High efficiency: 130lm/w, DLC premium listed
- WARRANTY--5-year limited warranty



## ORDERING GUIDE

Package		
Model No.	Information HNT -4FT-LV401-60W-XXX	HNX-TM65-120W8F-HM-NL-50
Size	4ft	8ft
Qty/Pack	10 PCS	6PCS
Package Size	1340X370X160mm/52.76"X14.57"X6.3"	2510X230X160mm/98.82"X9.06"X6.3"
Package Weight	7.6 kg/16.8 lbs	14.2 kg/31.3 lbs
Package CBM	0.079328	0.092368
40GP Capacity	~7310PCS	~3760PCS
40HQ Capacity	~8570PCS	~4410PCS
45HQ Capacity	~9830PCS	~5060PCS

## ORDERING CODE DEFINITION

Company Code	Size	Product	Watt	XXX
HY	4ft 8ft	LV: LED TRI-Proof light	4ft:60W 8ft:120W	30K: 3000K 40K: 4000K 50K: 5000K

## WARNING

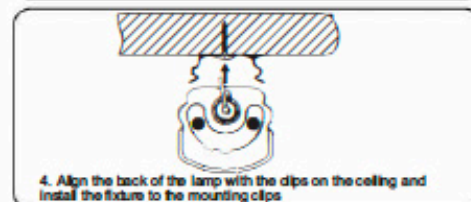
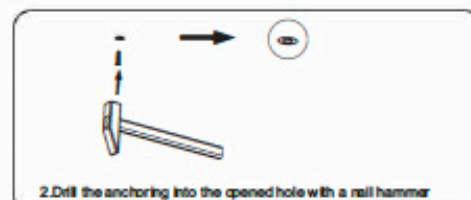
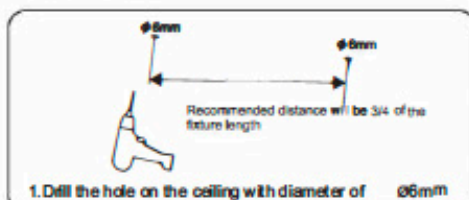
- This product must be installed in accordance with the applicable installation code by a person familiar with the construction and operation of the product and hazards involved
- Risk of fire or electric shock. LED lamp installation requires knowledge of luminaries electrical systems. If not qualified, do not attempt installation. Contact a qualified electrician.
- Ensure the product has enough space for heat dissipation.
- Ambient Temperature: -10°C to +45°C, Avoid direct sunlight.
- This lamp supports dimming function, must use with dimmers.
- Small noises when shaking does not affect the quality.



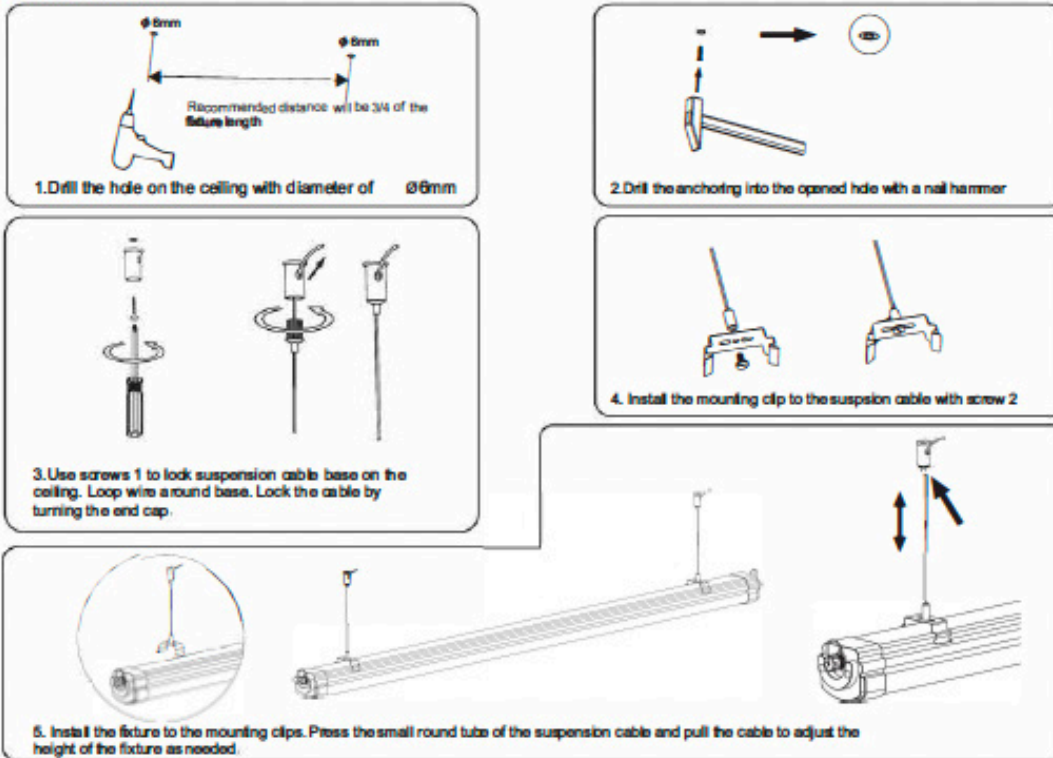
## INSTALLATION INSTRUCTION

Choose the following two installation methods as needed

### A Surface mount installation

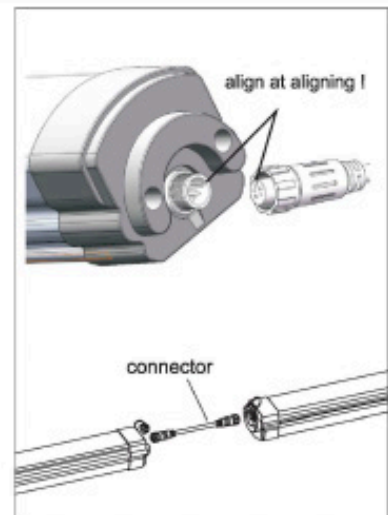
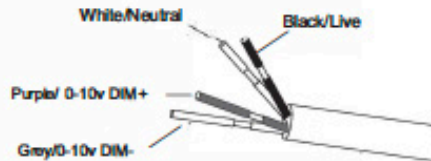


## B Suspension installation



## OPERATING GUIDE

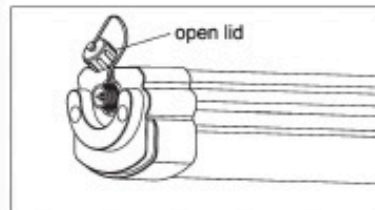
### 1 Wiring Guide



### 2 Connection Installation

1. Please find the connector in the accessories bag.
2. Plug the connector into the tube.

**Note:**  
For safety standard,  
please do not connect more than 4pcs 4ft LED lamp in a row;  
do not connect more than 3pcs 8ft LED lamp in a row.



### Accessories bag includes:

