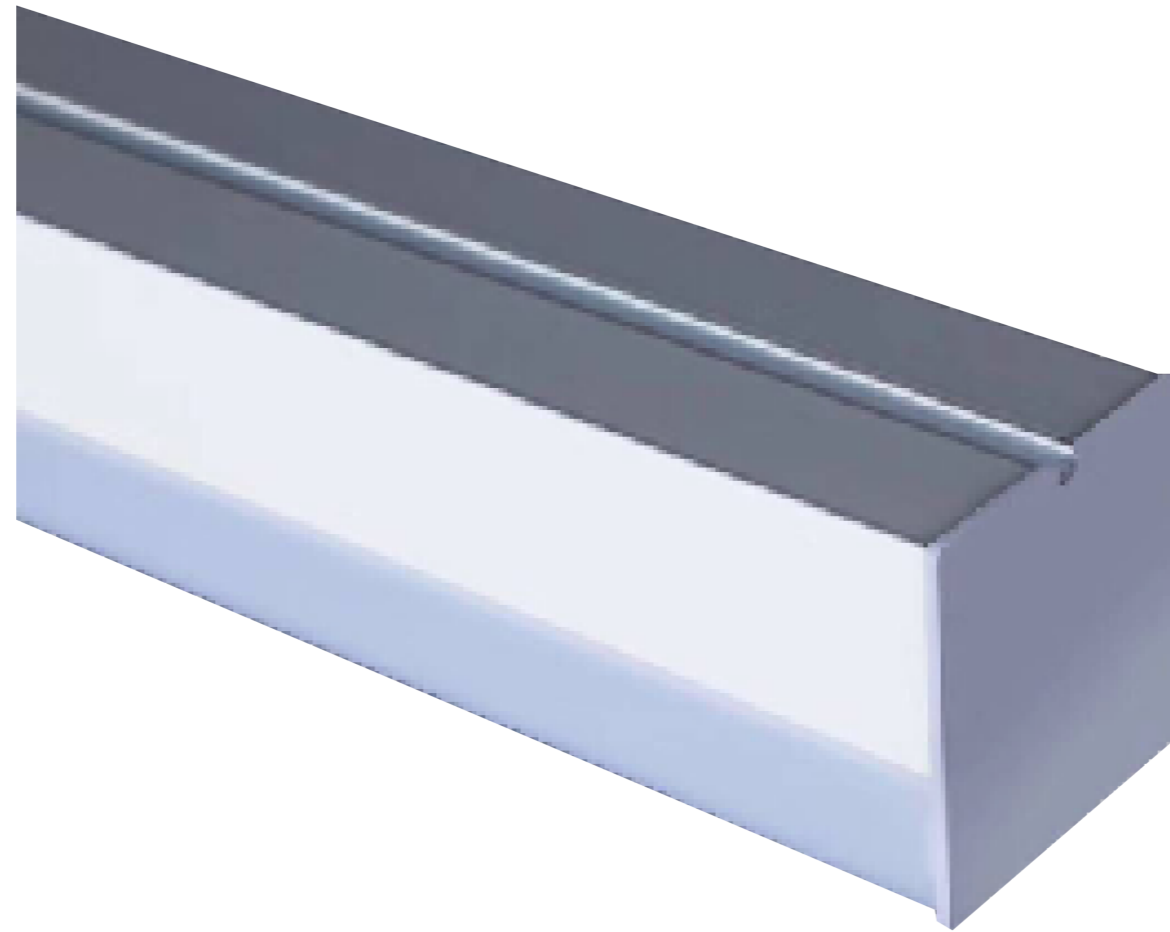
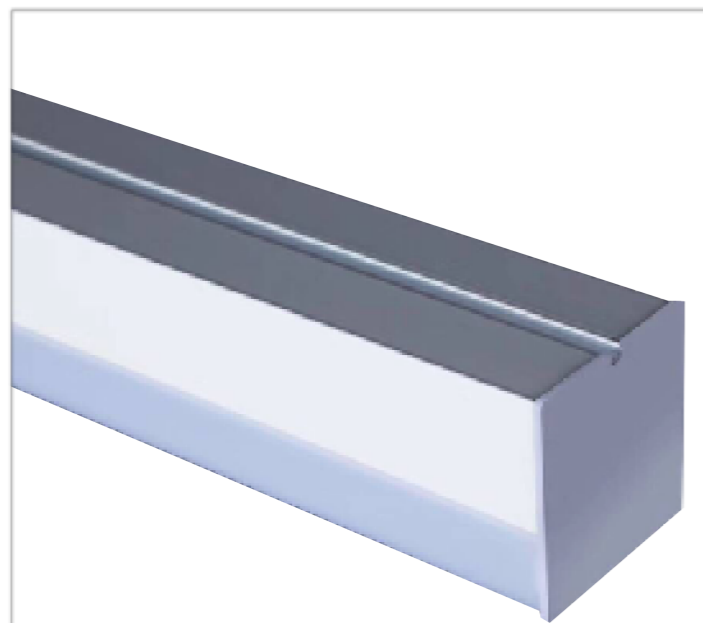


LED LINEAR LIGHT 54W

C&C Lighting Inc. Technical Data Sheet

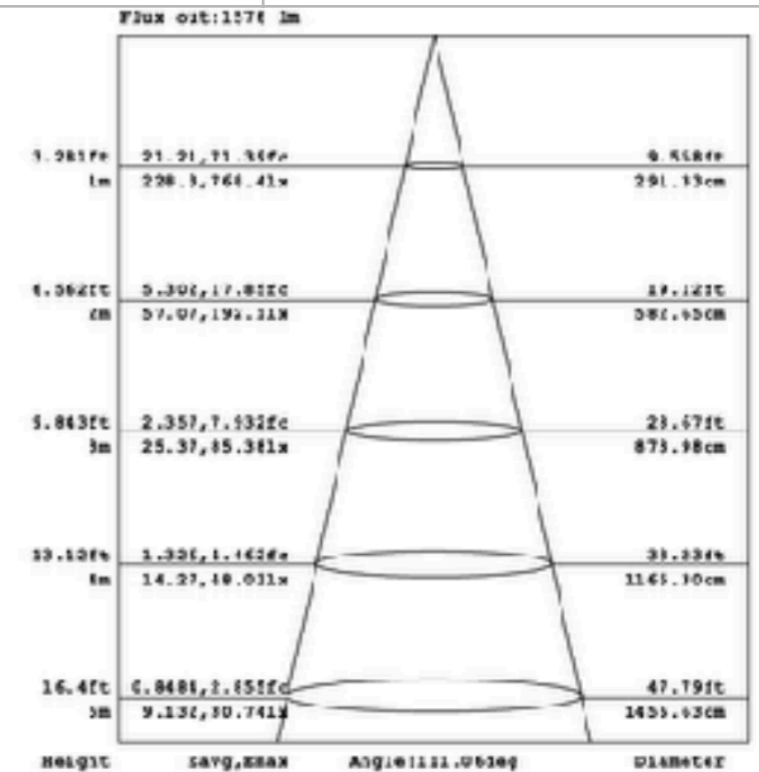
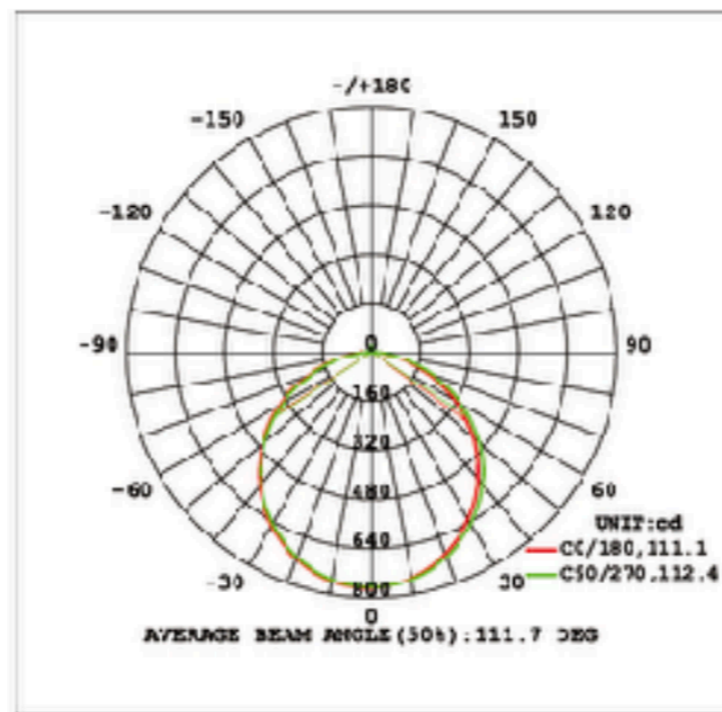


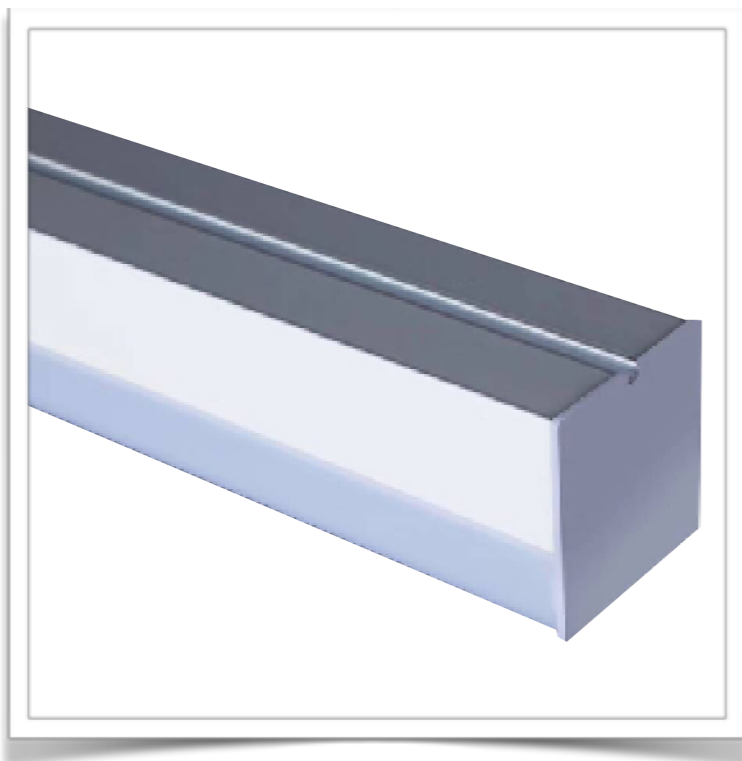
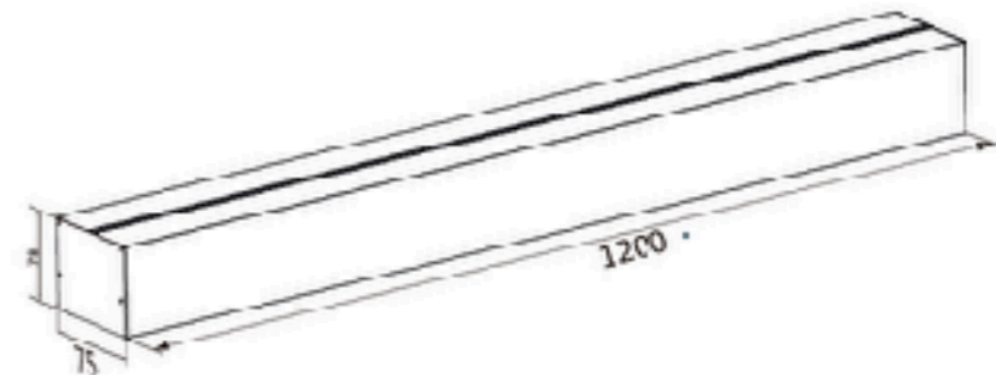
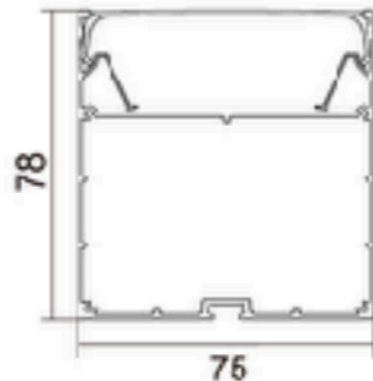
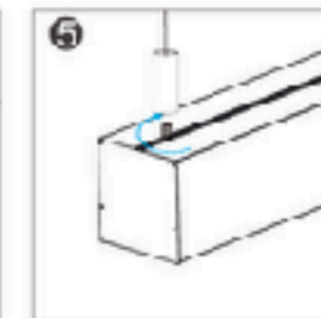
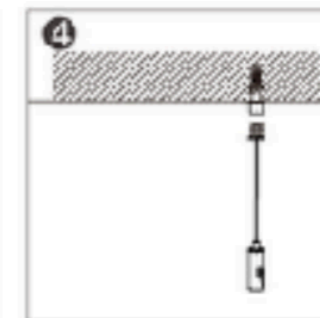
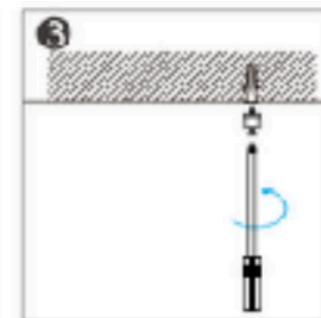
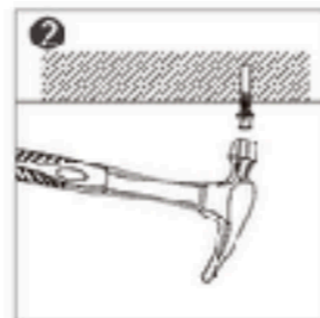
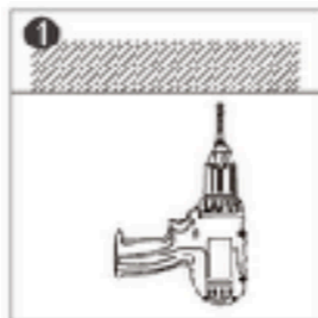


- Personalized settings are saved with the memorial function of the light; easy to reset settings when needed
- Flexible control of matching, code, elimination operation
- Smart function gives other options of Night Light Mode and Festival Light Mode
- Widely applied to household lightings, industrial lightings, public area lightings, commercial lightings and etc.
- 2.4G RF control enables the signal to be free of obstacles to control larger areas ranging from 20-30m

TECHNICAL SPECIFICATION

PART NUMBER	C&C-LB-54-RD50	C&C-LB-54W-RD40
CCT	3000K / 5000K	4000K / 6000K
LENGTH	1200mm	1200mm
LED QTY	216pcs	216pcs
LED	2835	2835
POWER	54W	54W
VOLTAGE	3000K : 100-240V AC 5000K : 100-380V AC	4000K : 100-380V AC 6000K : 100-240V AC
WORK IN CURRENT	0.40A	0.63A
LUMEN	6400-6480Lm	6480Lm
BEAM ANGLE	120°	120°
IP	IP40	IP40
CRI	80	80
PF	0.9	0.6
WORKING TEMPERATURE	-20~45°C	-20~45°C



**SIZE****INSTALLATION**

- Customized CCT and brightness dimming set; control range are 2200-6500K for colour temperature and 15-100% for brightness dimming
- Customized 0-99 groups controlled or totally controlled. One remote controller covers 99 group lamps - any lamp can be set and controlled in one group. The CCT and the brightness can be controlled at the same time. You can also control all the lamps by one button
- No-flicker technology eliminates flicking in order to create comfortable and safe-to-eye lighting.

ACCESSORIES