

# LED MODULE

C&C Lighting Inc. Technical Data Sheet



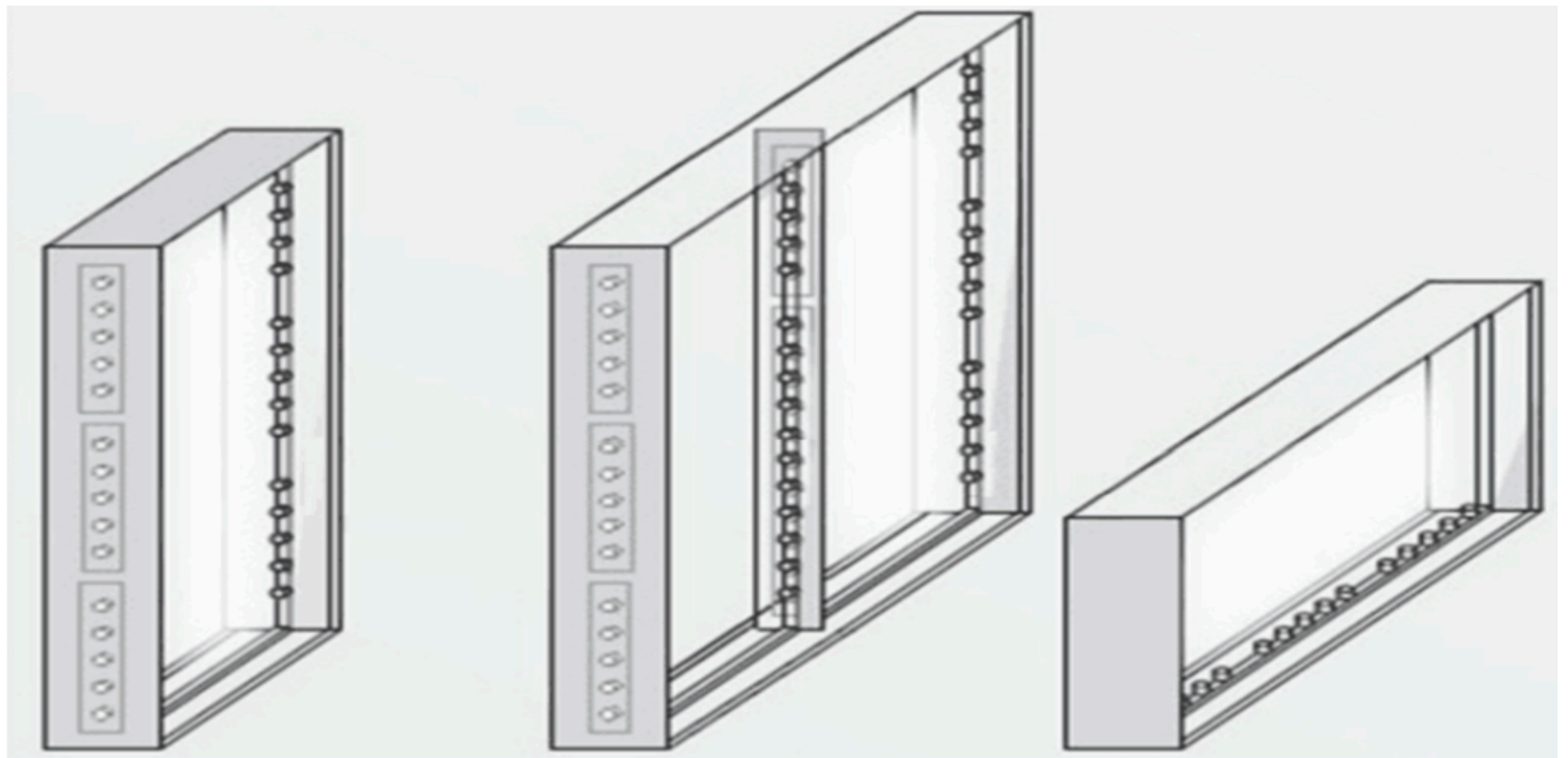


- This colour-changing pot light with 3 colour temperature options will let you avoid the confusion for choosing the right colour tone for the applied area.
- The colour temperature options include warm, natural and cool whites and is interchangeable with on/off switch.
- It will save you from over stocking of products.

## TECHNICAL SPECIFICATION

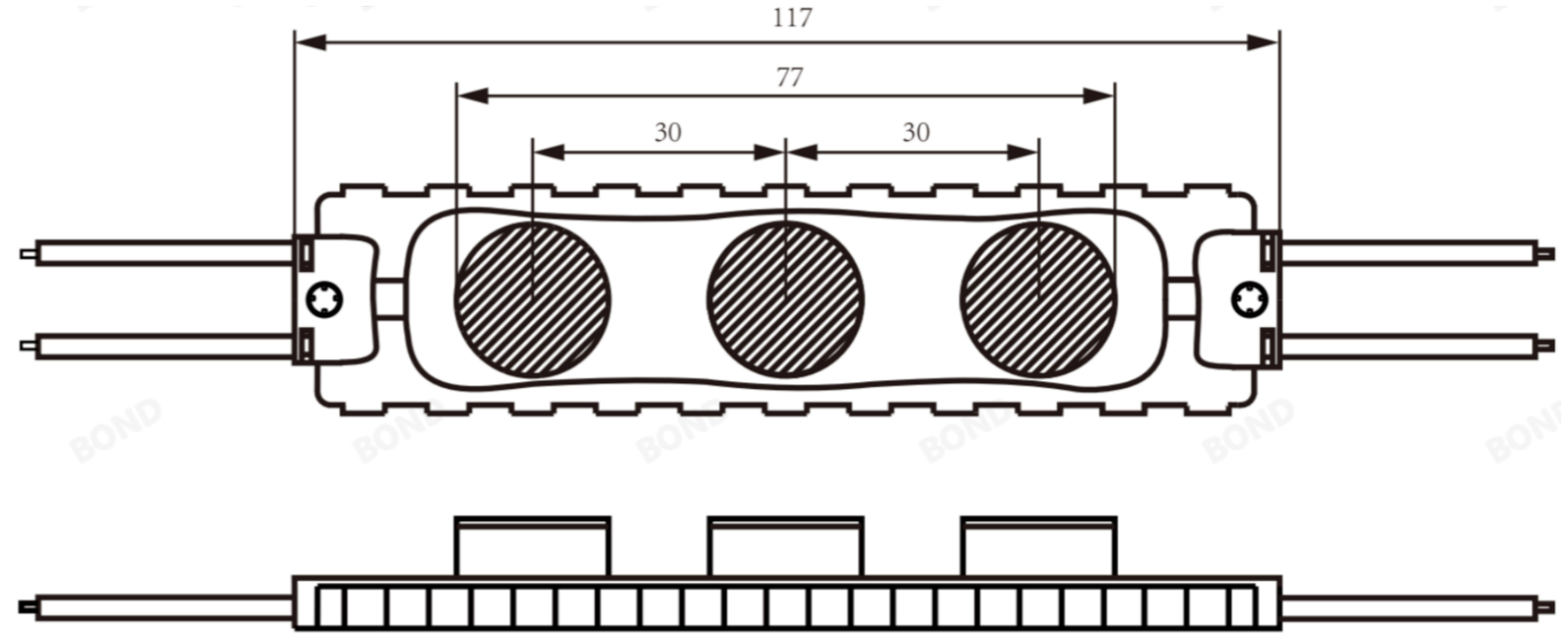
MODEL NUMER	FH3XF-HV-D
POWER DISSIPATION	3W
FORWARD VOLTAGE	110V AC / 220V AC
LUMEN	300Lm
COLOUR	White
CCT	2700-20000K
VIEWING ANGLE	15x45°
MODULE PITCH	130
SIZE	117x22x18mm
WEIGHT	27
MAX IN SERIES	100EA
OPERATING TEMPERATURE	-20~60°C
WATERPROOF RATING	IP65
LIFESPAN	3 years
CABLE	UL, 24AWG 600V/105°C

## APPLICATION





### DIMENSIONS



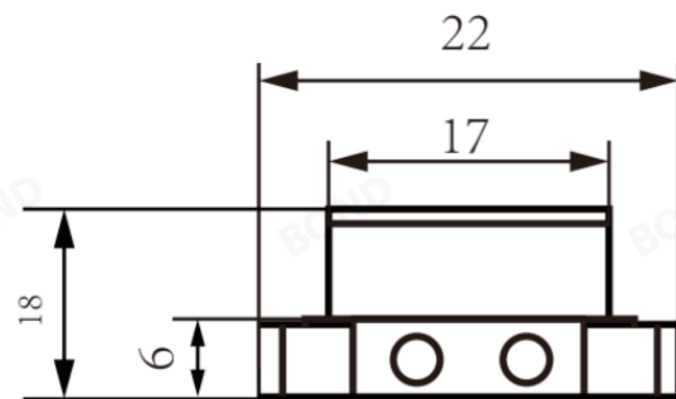
### PACKAGE

50 pieces for each string, every 1 string in an anti-static bag, 1000 pieces per carton box.

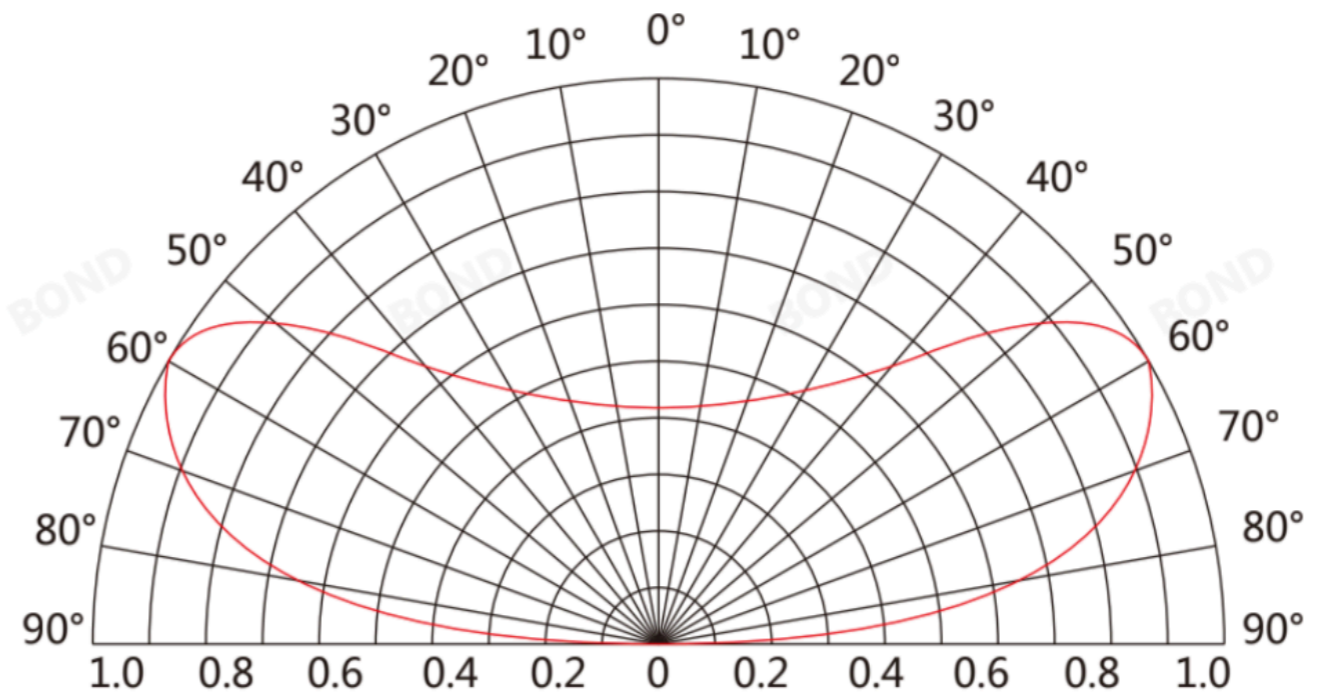
Carton Size : 50x35x35cm  
Net Weight : 27g/pc; 27Kg/carton



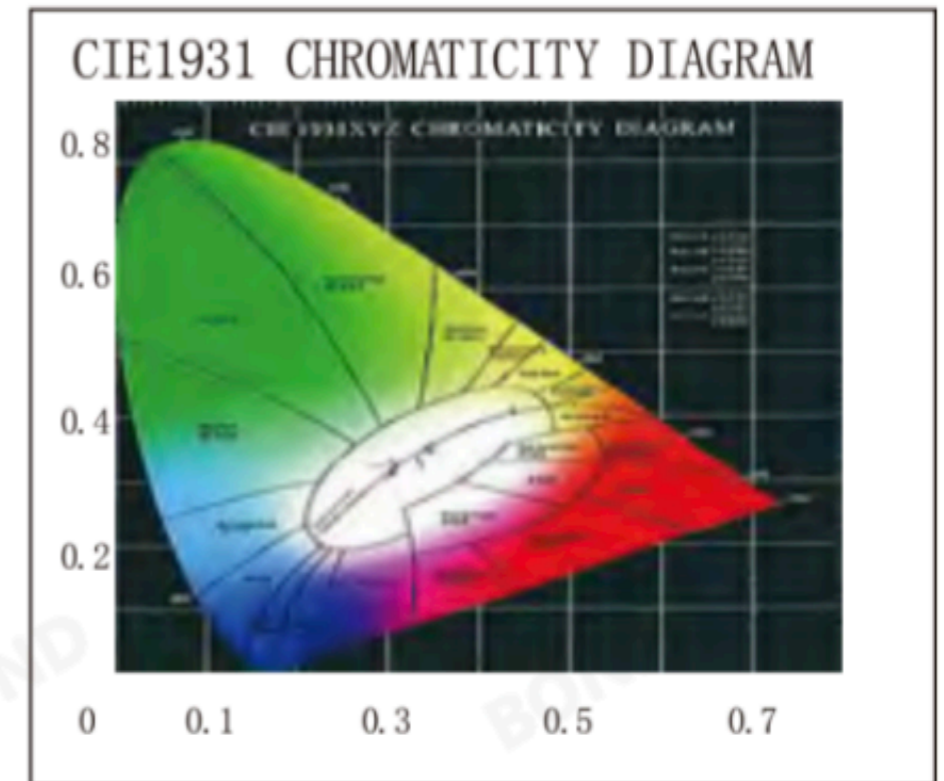
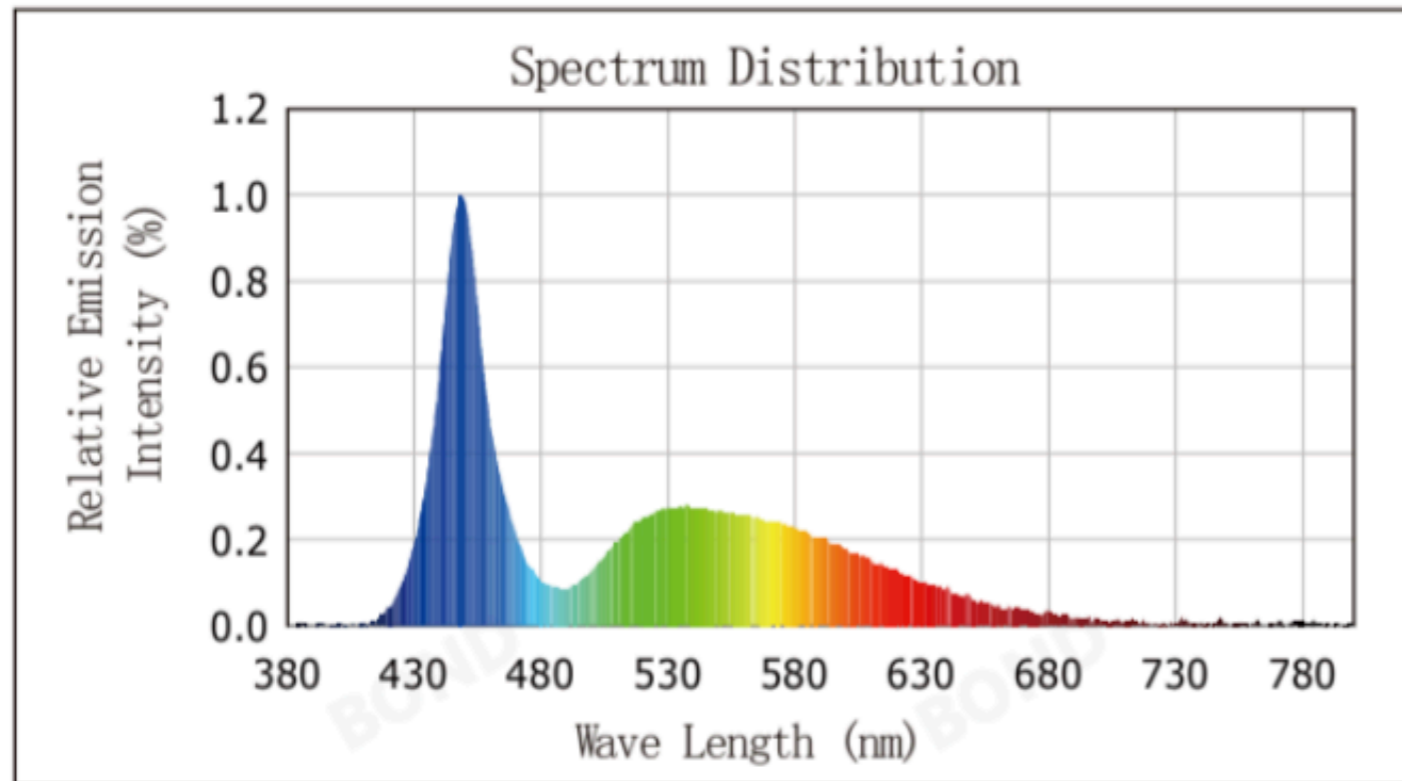
### SIZE OF A MODULE



### BEAMING ANGLE



## COLOURING PARAMETERS



## USAGE SCENARIO

