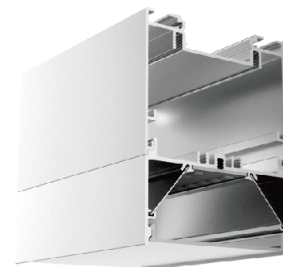
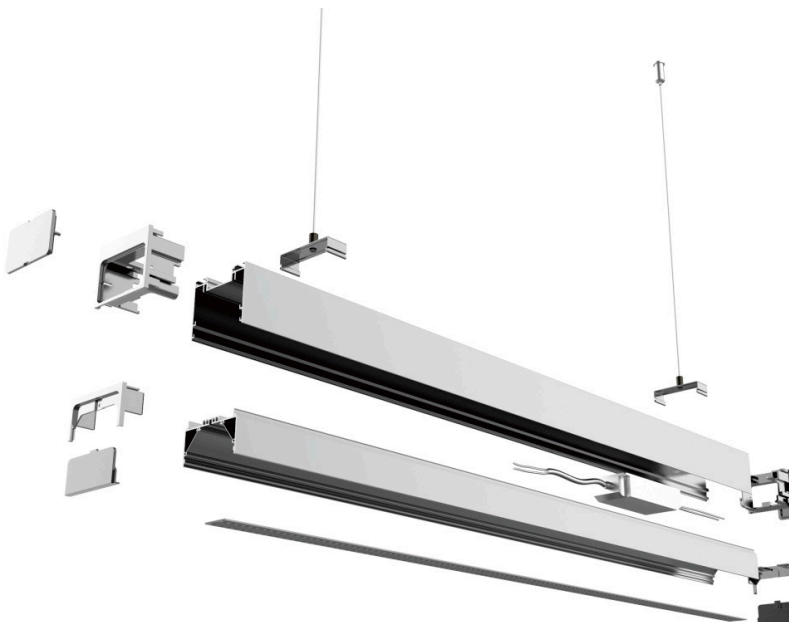


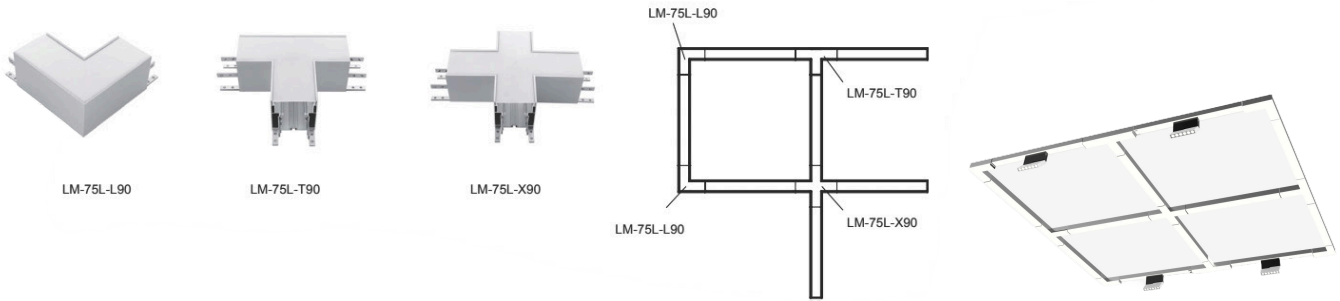
product feature

- Can be seam less connected for extra length.
- L-shaped connection, T-shaped connection, and cross-type connection are available
- 120lm/w
- No dark areas at splicing position
- Flicker free
- Optional dimming: 0-10V, DALI ,CCT adjustable. (Smart control optional)
- Optional Length: 0.6 meters, 1.2 meters, 1.8 meters, and 2.4 meters
- Can be installed hanging from the ceiling and surface-mounted
- 5 year warranty



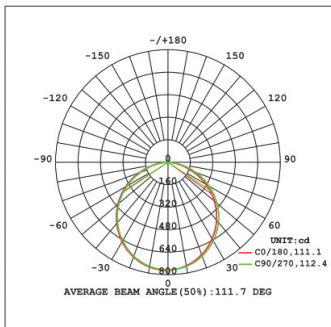


Accessories

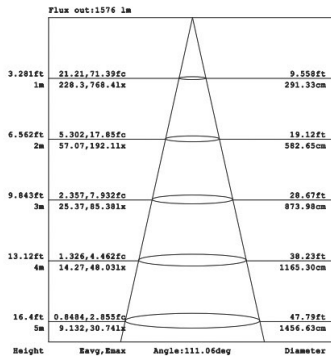


Photometric Information

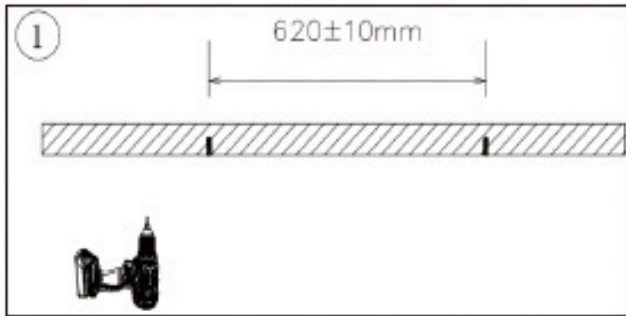
Luminance Intensity Distribution



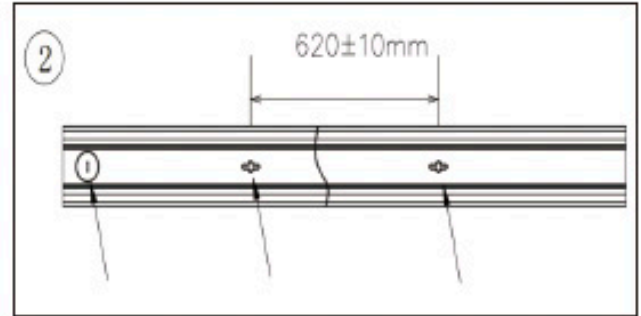
Cone Lux Diagram



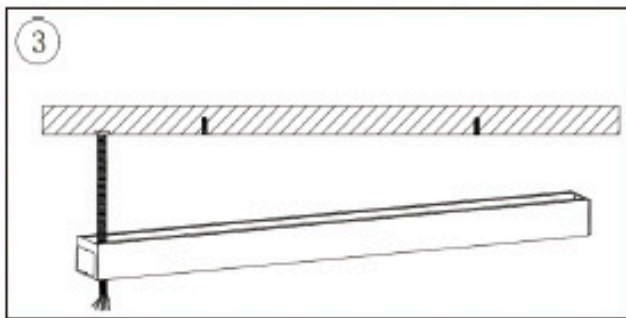
Model No.	C&C-XX-1260W1CR	C&C-XX-1580W1CR	C&C-XX-18100W1CR	C&C-XX-24120W1CR
Dimensions	63X80X1200mm	63X80X1500mm	63X80X1800mm	63X80X2400mm
Rated Power	20W/30W/40W/60W	30W/40W/60W/80W	40W/60W/80W/100W	60W/80W/100W/120W
Input Voltage	AC 120-277V/347V 50~60Hz	AC 120-277V/347V 50~60Hz	AC 120-277V/347V 50~60Hz	AC 120-277V/347V 50~60Hz
LED Quantity	SMD 2835	SMD 2835	SMD 2835	SMD 2835
Color Temperature	2700K-3500K 4000K-4500K 5500K-6500K	2700K-3500K 4000K-4500K 5500K-6500K	2700K-3500K 4000K-4500K 5500K-6500K	2700K-3500K 4000K-4500K 5500K-6500K
LM Output	600lm/ft	600lm/ft	600lm/ft	600lm/ft
Efficacy	120LM/W	120LM/W	120LM/W	120LM/W
Dimming	NO/0-10V/DALI	NO/0-10V/DALI	NO/0-10V/DALI	NO/0-10V/DALI
CRI	>80	>80	>80	>80
Materials	Aluminum & PC Cover	Aluminum & PC Cover	Aluminum & PC Cover	Aluminum & PC Cover
Beam Angle	120 °	120°	120°	120°
IP Grade	IP20/IP44	IP20/IP44	IP20/IP44	IP20/IP44
Emergency	Emergency-Circuited Emergency-Battery	Emergency-Circuited Emergency-Battery	Emergency-Circuited Emergency-Battery	Emergency-Circuited Emergency-Battery
Carton Size	1250*400*210mm	1550*400*210mm	1850*400*100mm	2450*400*100mm
Ambient Temperature	-35°C~+60°C	-35°C~+60°C	-35°C~+60°C	-35°C~+60°C
Warranty	5 years	5 years	5 years	5 years



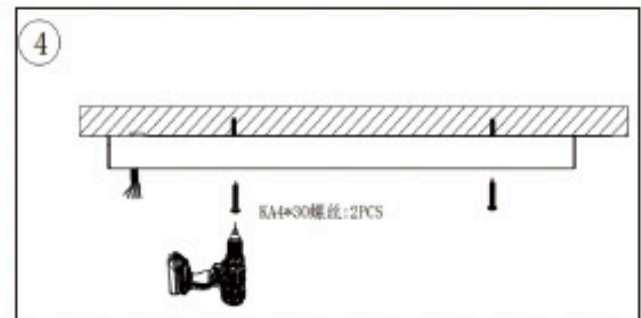
1. Set the size where you want to install the light, and make a hole in the wall with a drill.



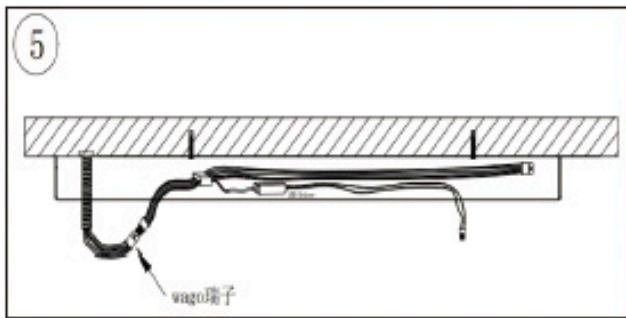
2. Remove the AC holes and mounting holes on the fixtures with a tool.



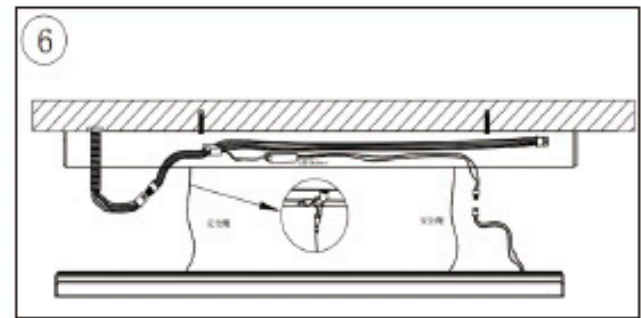
3. Pass the AC cable from the AC hole into the interior of the lamp.



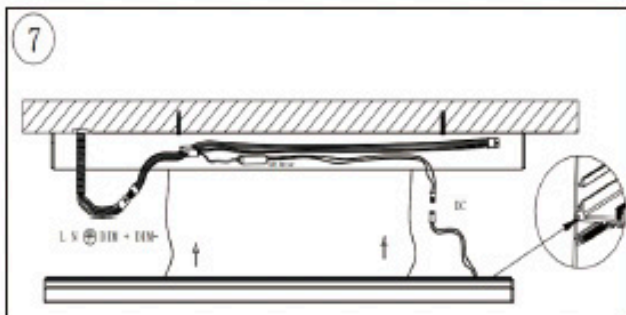
4. Pass the mounting hole with the screw and lock it into the plastic gecko hole.



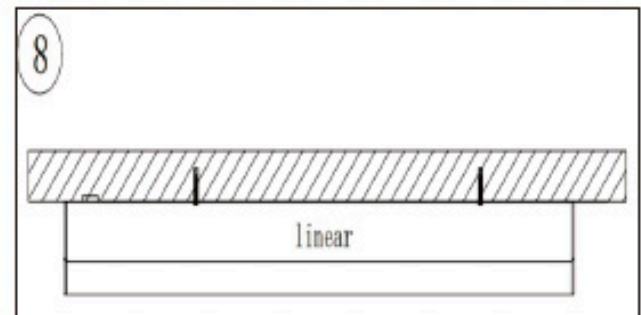
5. Insert the AC input wire into the hole corresponding to the WAGO terminal.



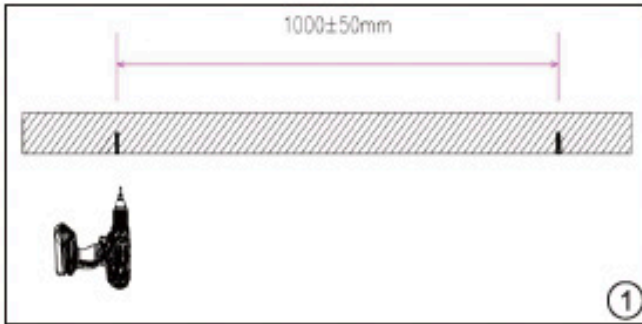
6. Buckle the safety rope into the light.



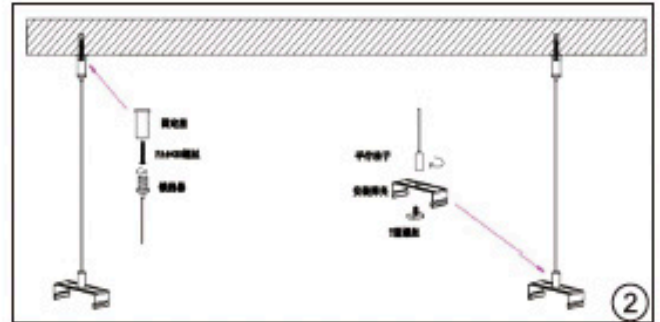
7. Connect the AC and DC cables.



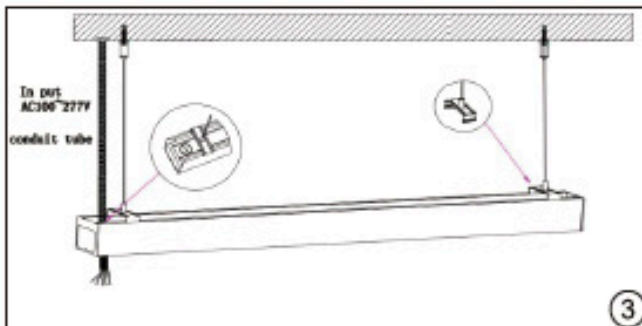
8. Fasten the upper and lower parts of the lamp.



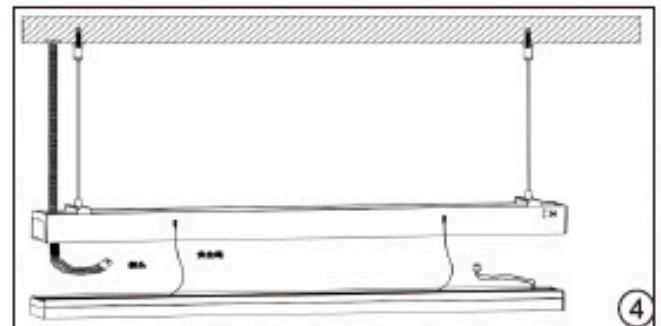
1. Using screwdriver to fix screw and hanging string on the ceiling.



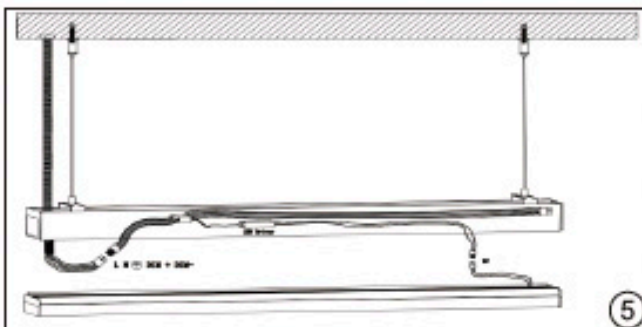
2. Using PA4*30 screws to fix the wire and accessories.



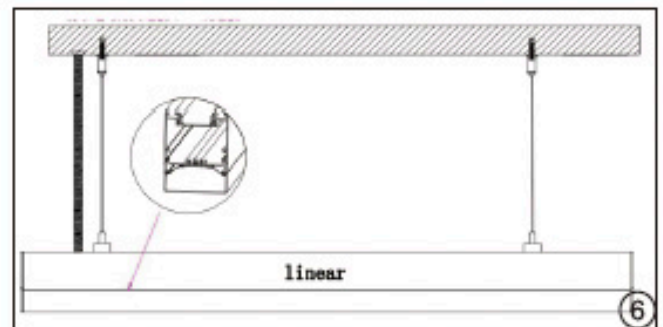
3. Connecting the AC cable with the electrical terminal of the lamp inside.



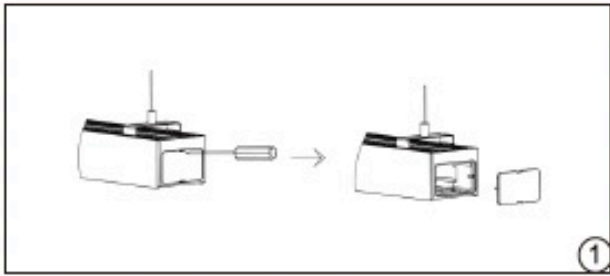
4. Insert the AC cable into the lamp plug and buckle the safety rope into the lamp.



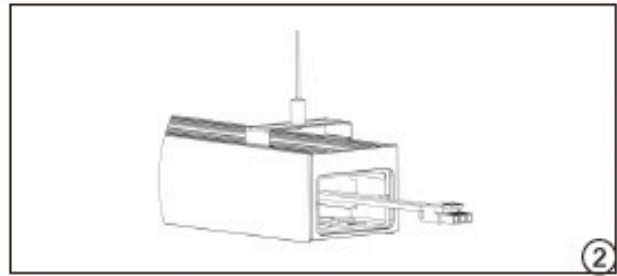
5. Connect the lamp with AC100-347V input.



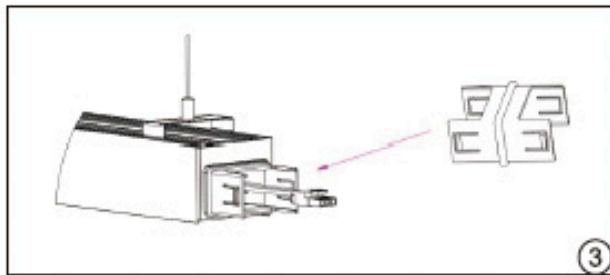
6. Fasten the lamp to complete the installation.



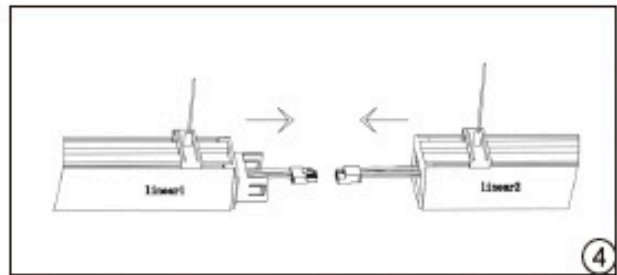
1. Remove the lamp end cap.



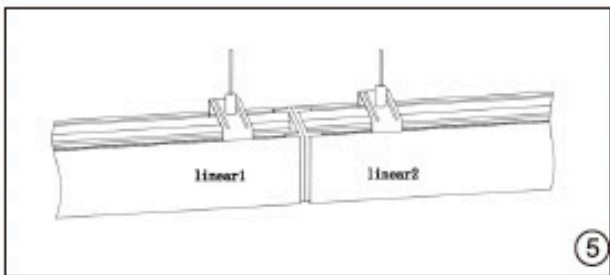
2. Lead the connection terminal out of the end cover.



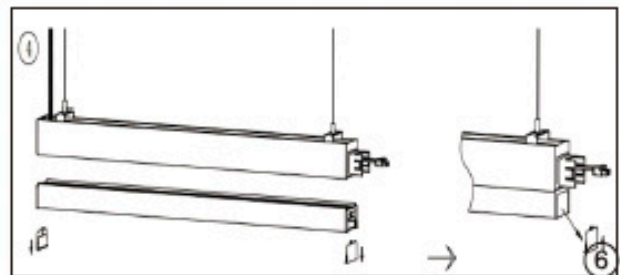
3. Insert the splicing connector into the lamp end cap.



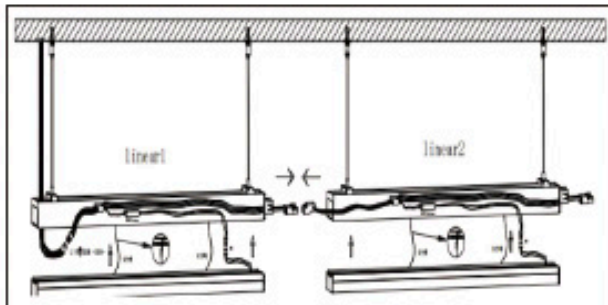
4. Connect the internal AC terminals of the two lamps.



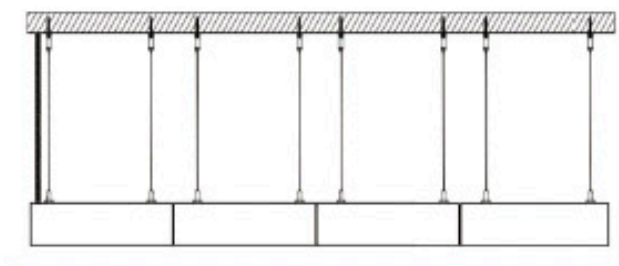
5. Put the two lights into the connector to finish the splicing installation.



6. Replace the end cap pc with a transparent pc.



7. Docking the lamps.



8. No more than 8 straight lines.