

LED GARDEN LIGHT 30-50W

C&C Lighting Inc. Technical Data Sheet



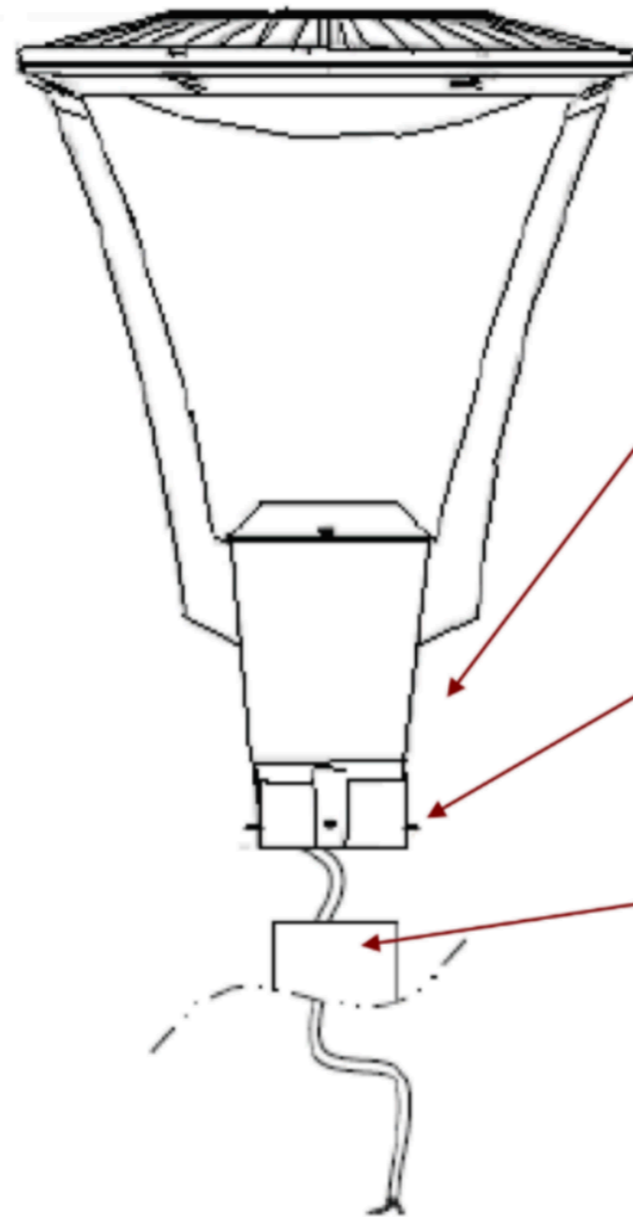


SMART CONTROL SYSTEM & SEMS WIRELESS SYSTEM

- | | |
|--|---|
| <ul style="list-style-type: none"> - Lamp metering - Real time control - Lamp fault diagnosing - On/off dim schedules - Power line fault diagnosing | <ul style="list-style-type: none"> - Support video system - Energy saving reports - 3 phase power metering - Support environment sensors - Work as Smart City platform |
|--|---|

SIMULATION REPORT

POWER	50W
WIDTH OF ROAD	7m
POLE DISTANCE	20m
MOUNTING HEIGHT	6m
ARRANGEMENT	Double row symmetry
OVERHEAD ANGLE	0°
LIGHT LOSS FACTOR	0.88
AVERAGE ILLUMINATION	15 lux
EMAX	28 lux
EMIN	9.71 lux
EMIN/EAV	0.350

**DRAWING**

Tighten up the screw till the lamp can't move, the torque is 40N.m-50N.m.

Connecting two wires together, one wire is inside bracket and another one is from the pole. (IP65 wire in the pole need to prepare by customers)

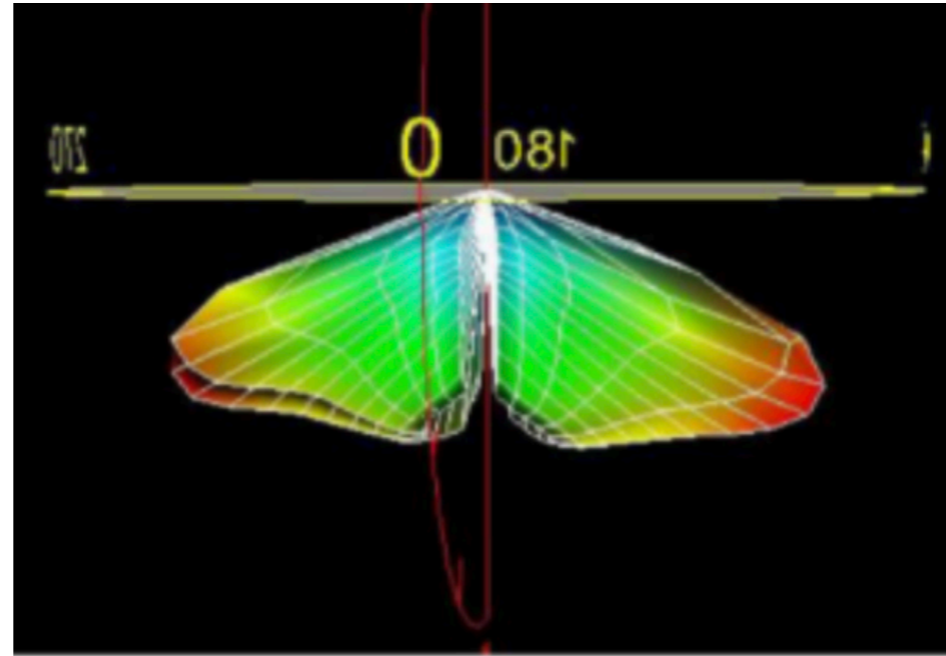
Put the pole inside the lamp till the pole can't move.

WARNING

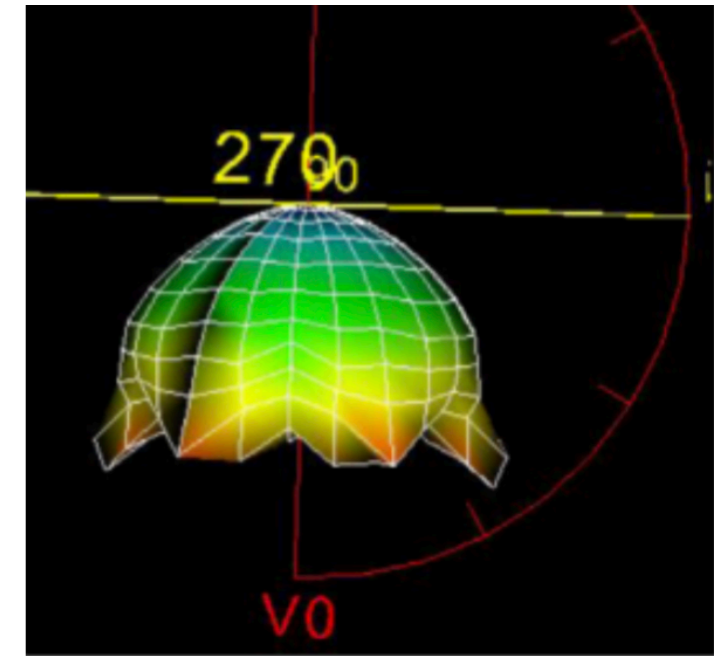
When flexible wire is broken, please cut off the power immediately, avoid short circuit. When the outer insulation cable is broken, it should be changed by manufacture, supplier or professional electrician, lest danger occurs!



PHOTOMETRIC PARAMETER



Type II



Type V

OPTICAL GLASS LENSE

- High-crystalline optical level glass lens
- High light transmittance
- Without ageing, non-yellowing, non-shattering glass
- Good heat resistance, with no absorb dust

GREAT PHOTOMETRIC PERFORMANCE

- Every generation ones shall be designed strictly, preferred the light distribution
- Beam angle can be 120°~!35°, high uniformity
- Full consideration glare and light environment factor



INTEGRATED COB CHIPS

COB PACKAGE TECHNOLOGY	<ul style="list-style-type: none"> - Use BrideLux high efficiency chips - Use silver plated copper base, thermal resistance is small - Safer circuit design: cross and string pattern, chips connected by gold wire - Patented formula - fluorescent powder & potting adhesive better CRI, higher luminous efficiency, lower lumens depreciation - Use best encapsulation equipment - (ASM)
COB ADVANTAGE	<ul style="list-style-type: none"> - High power chips, low driver current lumen maintenance rate -high - Cross and string pattern, chips connected by gold wire that are not easily broken - Use best encapsulation equipment - Good product stability - The penetration light of COB is strong, especially for rainy, snowy, foggy and dusty days - Patented formula technology - CCT easy control quality consistency



The penetration light of Transformer II is strong.



It's bright around the competitor's lamp, but it's dark on the ground.

SERIES NO.	HB-035-02
WATTAGE	30W/ 40W/ 50W
VOLTAGE	Normal 100-240V AC North American 100-277V AC / 480V AC Solar System 12V DC / 24V DC
CCT	5000K/ 4000K/ 3000K/ customized
LUMEN EFFICACY	Normal Bright 115Lm/W (chips) Super Bright 135Lm/W (chips) @CRI>70
HOUSING COLOUR	Normal Black / customized (MOQ>50pcs)
MOUNTING WAY	Horizontal mounting with 0°

**ELECTRONICS**

ITEM NO.	HB-035-02-30W	HB-035-02-40W	HB-035-02-50W
NUMBER OF LEDS	30pcs	40pcs	50pcs
LAMP WATTAGE	30W	40W	50W
SYSTEM WATTAGE	31W	42W	53W
MAX. SYSTEM CURRENT	0.13~0.31	0.175~0.42	0.22~0.53
LED CURRENT	0.125~0.3	0.167~0.4	0.25~0.5
WEIGHT	17.64lb / 8kg	17.64lb / 8kg	17.64lb / 8kg
DIMENSION	1.48x1.48x1.99" 450x450x605mm	1.48x1.48x1.99" 450x450x605mm	1.48x1.48x1.99" 450x450x605mm

