

LED 4" DOWN LIGHT

C&C Lighting Inc. Technical Data Sheet



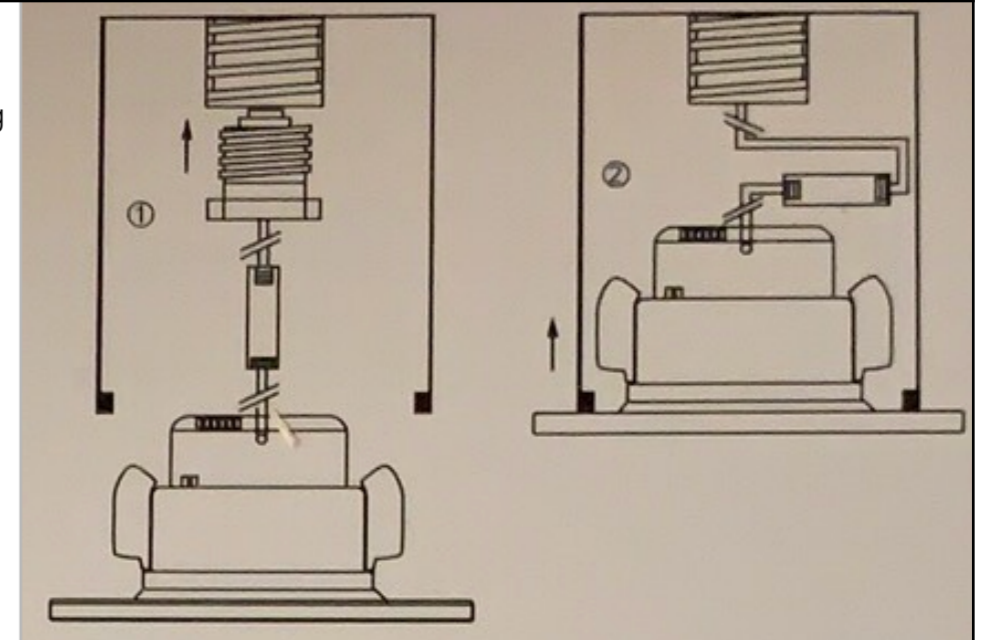


TECHNICAL SPECIFICATIONS

POWER	10W
CCT	2700-3000K
LUMEN	750±50Lm
CRI	80Ra

INSTALLATION

- Install the E26 adapter into the E26 socket
- Clip the light into the housing
- WARNING : Turn off the power before installing



LEAF STRING EXCHANGES

