

LED DIMMABLE LED SHOP LIGHT

C&C Lighting Inc. Technical Data Sheet





- High lighting efficiency 130Lm/W, Ra >80
- 0-10V dimmable driver, AC100-277V
- Reduces energy consumption up to 60%
- Glass-free
- Suitable for damp locations
- Surface. Mounting installation
- 5 years warranty

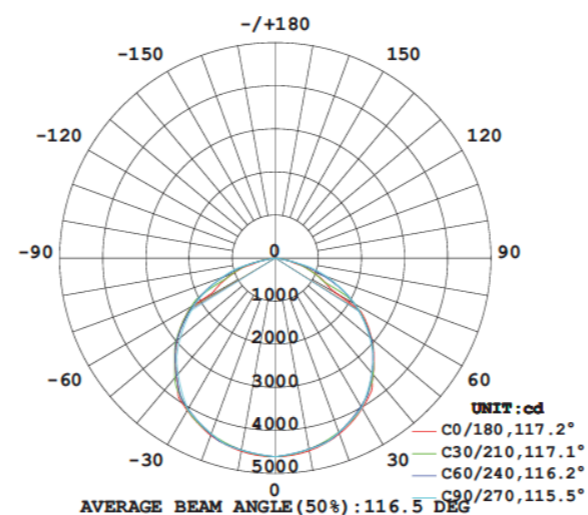
DIMENSION

MODEL	LxWxD	
CCR-ST-4FT24W / TS-ST-4FT40W	48x3.14x3.43"	
CCR-ST-8FT / TS-ST-8FT64W	96x3.14x3.43"	

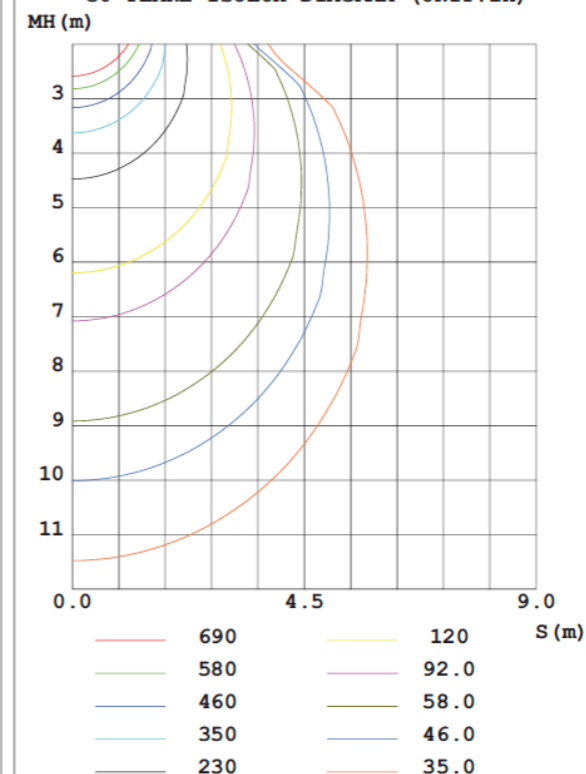
SPECIFICATION

SIZE	4ft	4ft	8ft	8ft
PART NO.	CCR-ST-4FT24W	CCR-ST-4FT40W	CCR-ST-8FT40W	CCR-ST-8FT64W
POWER	24W	40W	40W	64W
VOLTAGE	100-277V AC			
INPUT CURRENT	0.3A	0.4A	0.4A	0.8A
CCT	4000K / 5000K			
EFFICACY	130Lm/W			
LUMINOUS FLUX	3120Lm	5200Lm	5200Lm	8320Lm
VIEWING ANGLE	120°			
Ra	>80			
PF	>0.9			
WARRANTY	5 years			

LUMINOUS INTENSITY DISTRIBUTION DIAGRAM



C0 PLANE ISOLUX DIAGRAM (UNIT: 1x)





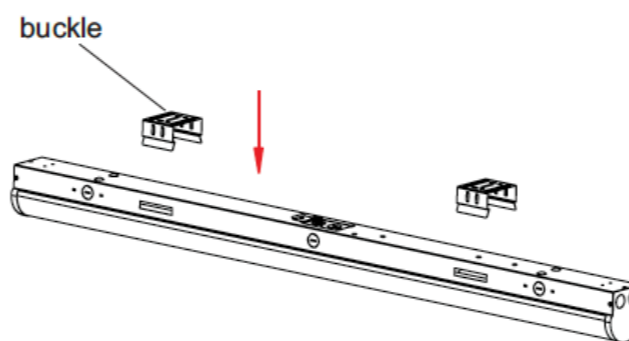
IMPORTANT: Read this instruction carefully before installation. Keep it for further reference. Make electrical and grounded connections in accordance with the national electrical code and any applicable code. Always turn off the power supply before installation. This product must be installed in accordance with the applicable installation code by a qualified electrician who is familiar with the construction and operation of the product and the hazards involved.

WARNING:

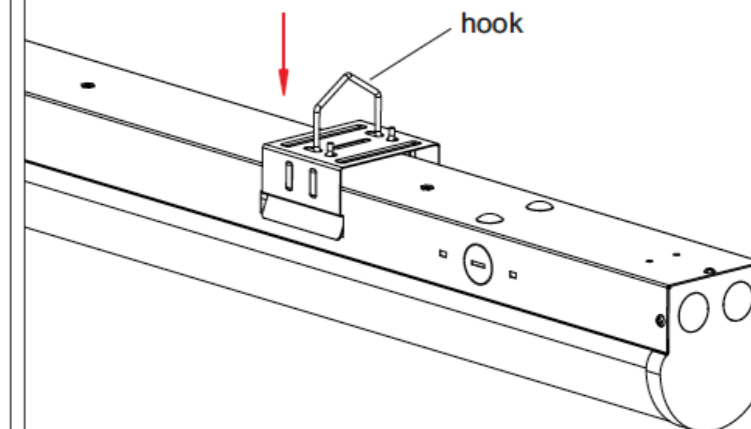
- Risk of fire or electric shock. Fixture installation requires knowledge of luminaire's electrical systems. If not qualified, do not attempt installation. Contact a qualified electrician.
- Suitable for wet locations. Always turn off the power supply before installing.
- Suitable for non-insulated surface and frame. Do not cover fixture with insulation liner or similar material.
- Do not install fixture on unstable, loose or easily breakable surface.
- Do not exert force on the surface of the fixture.

CHAIN INSTALLATION

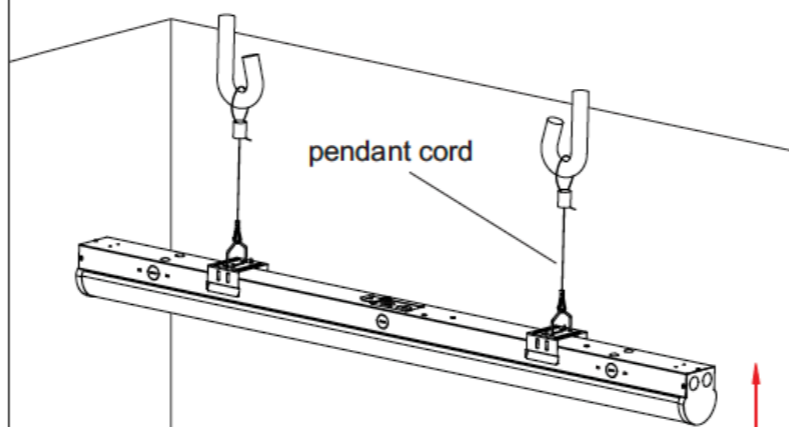
1. Snap buckle into the lamp body.



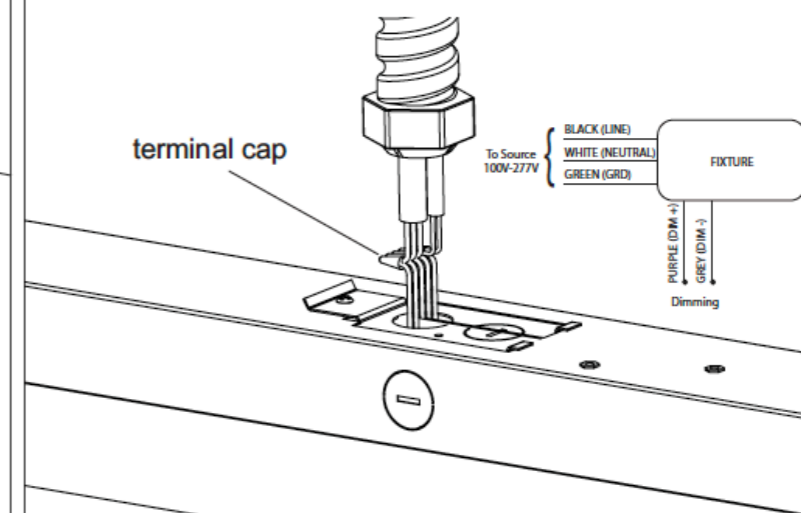
2. Attach the hook at the slotted holes of the buckle.



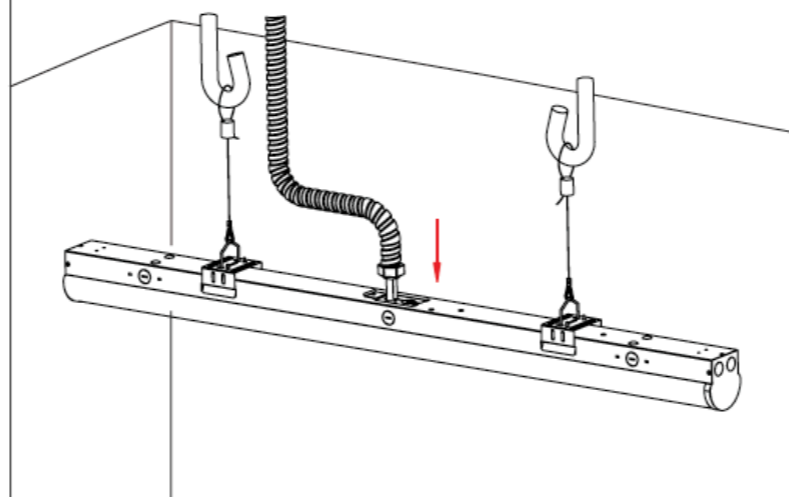
3. Hook the buckle with pendant cord and suspend the light to the desire height.



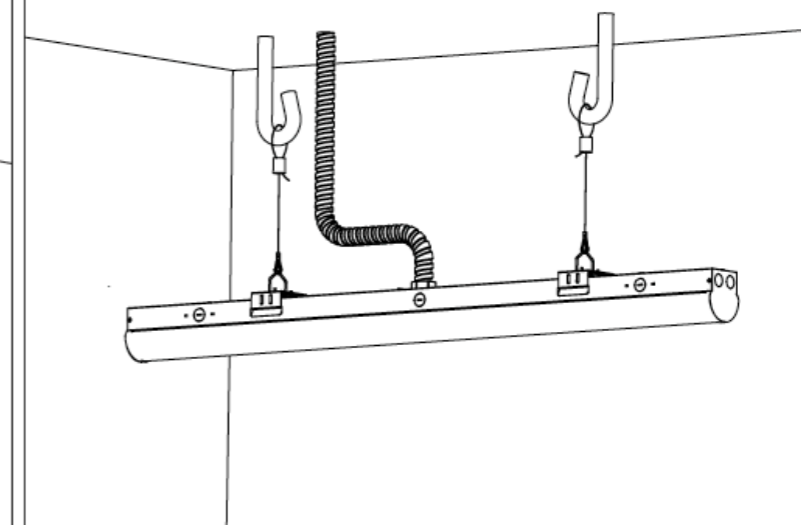
4. Turn off power, and make wiring connections with terminal cap. (see wiring instruction below)



5. Insert the terminal block and wires into the strip.



6. Insert the wire terminal joint to the wire entry.

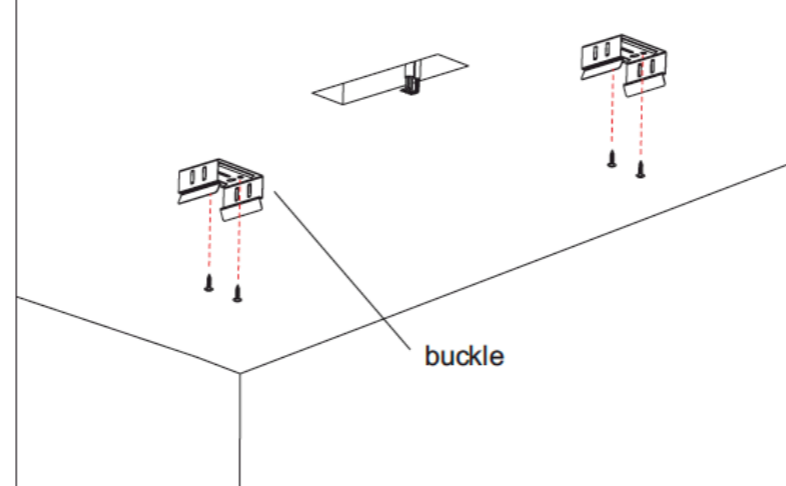


**NOTE:**

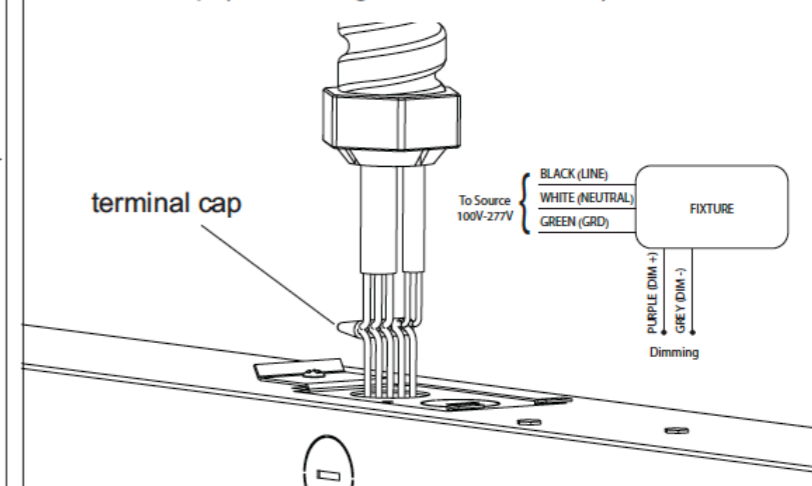
- The installation and maintenance must be completed by electricians or professionals
- Cut off the power before installation and maintenance
- Do not cover the fixture with a thermally insulating material
- Keep away from corrosive substances and keep the fixture dry and clean
- Working temperature : -4~104°F
- Storage temperature : -22~140°F

SURFACE MOUNTED INSTALLATION

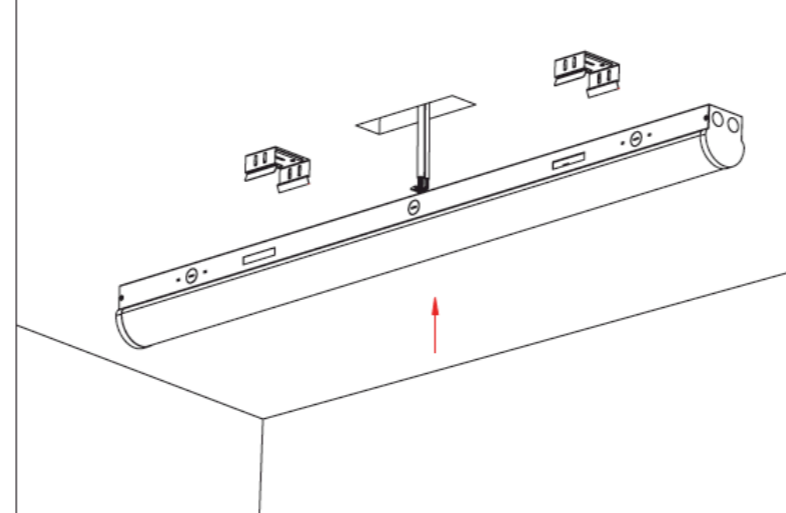
1. fix the buckles in parallel by screws with distance 25.24" between each other.



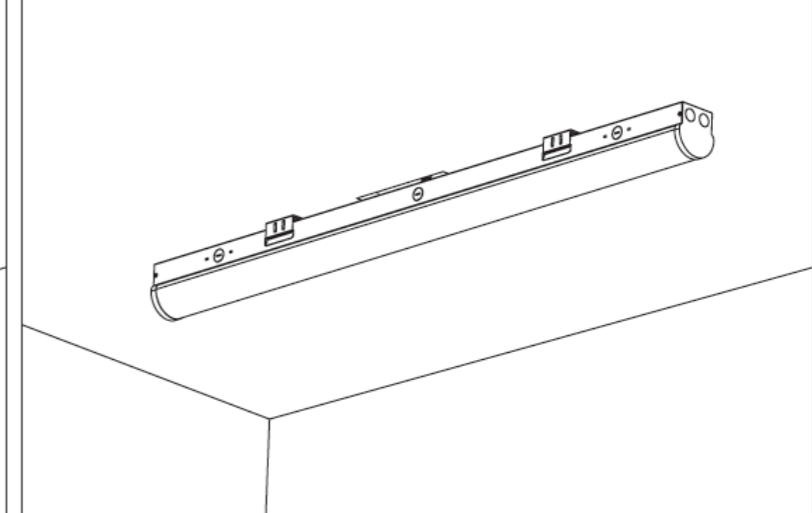
2. Turn off power, and make wiring connections with terminal cap. (see wiring instruction below).



3. Secure the strip with buckle.



4. Installation completed.

**PACKING & WEIGHT**

SIZE	INNER BOX	OUTER BOX	QTY /CTN	N.W /PC	G.W / CTN
4ft	1300x98x112mm	1320x325x265mm	6 pcs	4.81lbs	40.8lbs
8ft	2525x98x112mm	2545x255x225mm	4	8.95lbs	51.2lbs

