

Recessed led spot light

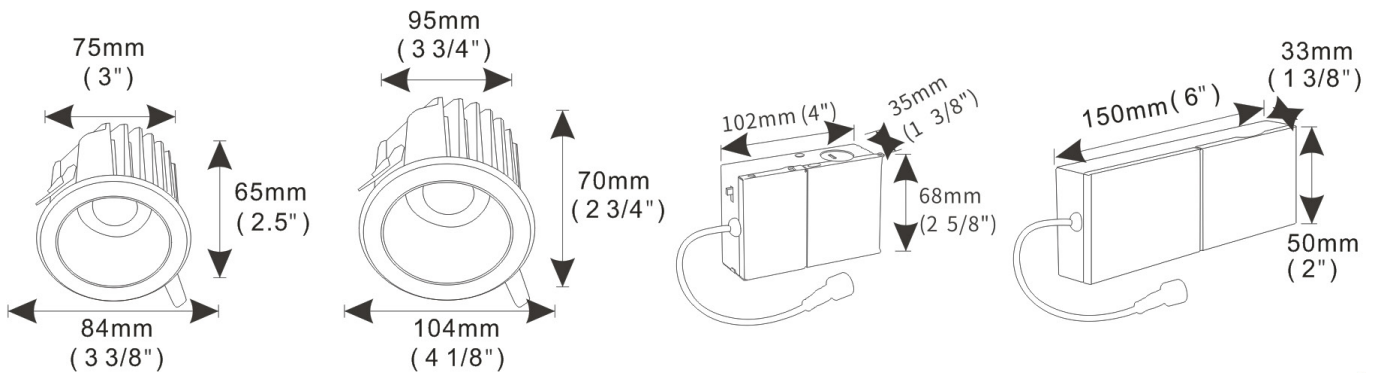
CCR-T2501C7-3
CCR-T2501C7-4



- 3" 4" Recessed LED With Integral Driver In Connection Box
- Ultra compact and versatile with CCT switch on the fixture

FEATURES & BENEFITS

- Anti glare
- Multiple finishes and reflectors to choose from.
- Designer series fixture
- 100 LM/W with CRI 90+ for True Color Rendering
- No Housing Required
- IP65 Suitable for wet locations



SPECIFICATION	
Applications	Recessed Ceiling, Soffits, Solar
Energy Used	9W 12W 15W 18W 20W
Color Temperature (K)	5CCT: 2700 3000 3500 4000 5000
Light Output (lm)	900 1200 1500 1800 2000
Lumen	100LM/W
Beam Angle	15° 24° 45°
CRI	90+
Driver Input	120V AC
Dimming	TRIAC Dimmers 10% - 100%
Approved Location	Insulated Ceiling & Wet Locations
Air Tight	Yes
Ambient Temperature	-4°F (-20°C) to + 104°F (+40°C)
Projected Life	70% Light Output at 50,000 Hours
Certification	CETLus, Energy Star
Warranty	5 Year



***ITEM COMES IN DEFAULT COLOR AND SIZES. FOR ANY OTHER OPTIONS, PLEASE FILL OUT THE ORDER FORM ATTACHED**

Company name:
Email:
Phone number:
Quantity required:

SIZE OPTIONS		
	3 INCH	<input type="checkbox"/>
	4 INCH	<input type="checkbox"/>
SHAPE OPTIONS		
	ROUND(DEFAULT)	<input type="checkbox"/>
	SQURE	<input type="checkbox"/>
TRIM OPTIONS		
	WHITE (DEFAULT)	<input type="checkbox"/>
	BLACK	<input type="checkbox"/>
	TRIMLESS	<input type="checkbox"/>
REFLECTOR OPTIONS		
	SHINY BLACK	<input type="checkbox"/>
	FLAT BLACK	<input type="checkbox"/>
	FLAT SILVER(DEFAULT)	<input type="checkbox"/>
	CROME	<input type="checkbox"/>
	ROSE GOLD	<input type="checkbox"/>
	GOLD	<input type="checkbox"/>
	FLAT WHITE	<input type="checkbox"/>
WATTAGE OPTIONS		
	9W(DEFAULT)	<input type="checkbox"/>
	12W	<input type="checkbox"/>
	15W	<input type="checkbox"/>
	18W	<input type="checkbox"/>
	20W	<input type="checkbox"/>
COLOR TEMPERATURE OPTIONS		
	3CCT DEFAULT(3000K,4000K,5000K)	<input type="checkbox"/>
	2200K	<input type="checkbox"/>
	2700K	<input type="checkbox"/>
	6000K	<input type="checkbox"/>
	RGB+WHT	<input type="checkbox"/>
	SMART CONTROL	<input type="checkbox"/>
BEAM ANGLE		
	15 DEGREE	<input type="checkbox"/>
	24 DEGREE	<input type="checkbox"/>
	36 DEGREE	<input type="checkbox"/>
	45 DEGREE	<input type="checkbox"/>