

# LED AREA LIGHT 150W

C&C Lighting Inc. Technical Data Sheet





- The one piece die-cast aluminum housing with UV resistant polycarbonate optical lens, outstanding corrosion protection
- Various distribution patterns including Type III, Type IV and Type V
- Suitable for mounting heights ranging from 26-40' in area applications
- Round pole, square pole, slip fitter and wall mount

## TECHNICAL SPECIFICATION

CCT	DIST. TYPE	POWER	LUMEN	EFFICACY	CRI	B	U	G
4000K	3	150W	17000Lm	113Lm/W	70	3	2	2
	4					2	3	
	5					2	2	
5000K	-	150W	17000Lm	113Lm/W	70	3	2	2
	3					2	3	
	4					2	2	

## EPA OF AREA LIGHT

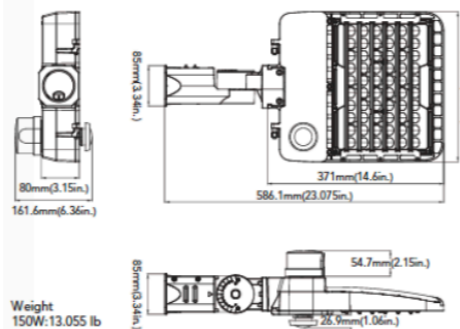
Item							
150W	0.597	0.672	1.062	1.025	1.027	1.063	1.027

## ELECTRICAL DATA

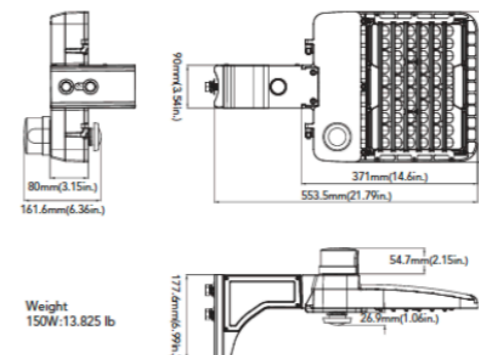
NUMER OF DRIVERS	DRIVER CURRENT	NOMINAL POWER	INPUT VOLTAGE	CURRENT
1	3800amps	150W	120V	1.25amps
			208V	0.72amps
			240V	0.63amps
			277V	0.54amps

## DIMENSION (unit: inch/mm)

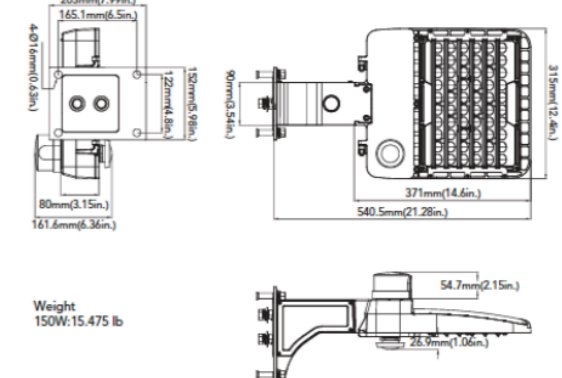
### Slipfitter Mount

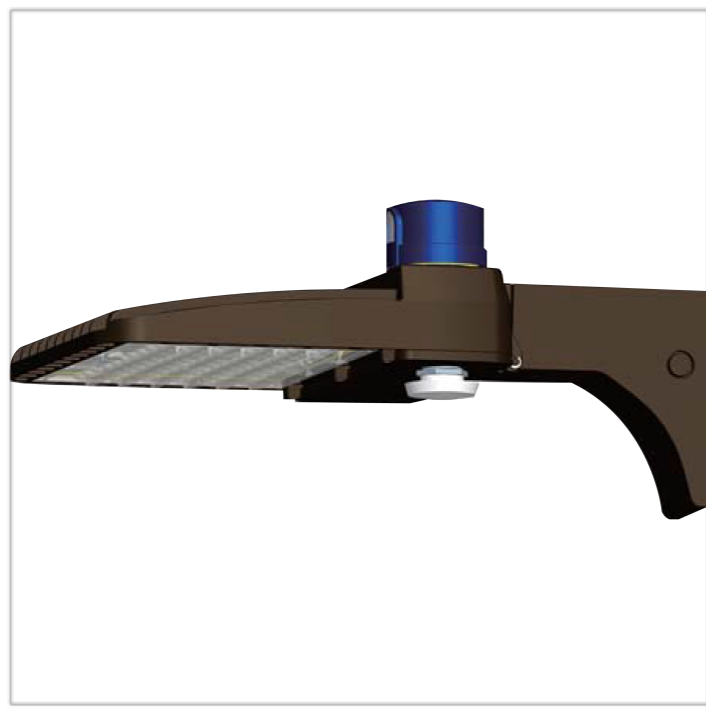


### Pole Mount



### Wall Mount





- Photocell optional
- Increase energy savings with bi-level motion sensor
- 17000Lm, 120-277V with 0-10 dimming
- Fixtures are IP66 rated for uses in ambients from -40~40°C (-40~104°F)
- Expected lifespan is over 100,000 hours; comes with 5 years warranty
- UL wet location and DLC pending

## MOUNTING

- Standard versatile mounting arm accommodates multiple drilling patterns as well as square and round poles
- Wall Mount available for direct wall mounting and J-box mounting
- Optional for cast aluminum slipfitter mounting adapter (Compatible with more MESTER mounting adaptors such as Tenon, suits for various application)

### Mounting Options



**Arm Mount (4" and 5" Square and Round poles)**  
Standard versatile mounting arm is simple to install and can be used with existing poles for retrofit installations.

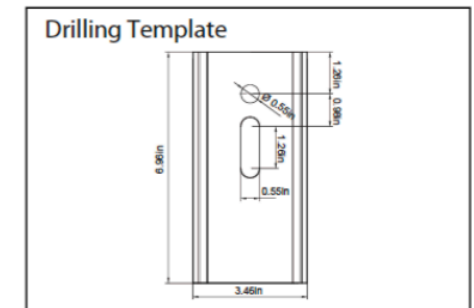
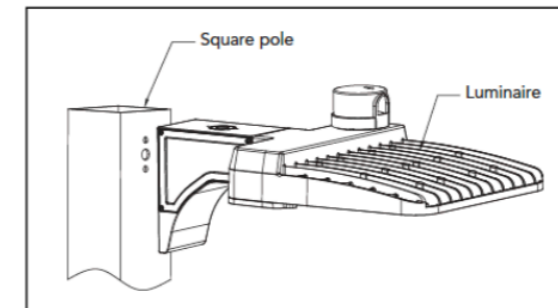
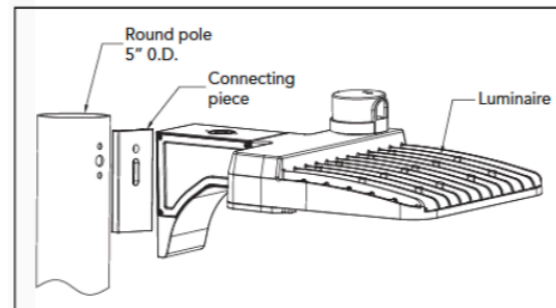


**Slipfitter Mount**  
An optional cast aluminum mast arm adapter secures fixture head to nominal 2"(2-3/8" O.D. pipe size) horizontal steel tenon arm.



**Wall Mount**  
Wall Mount is easy to install for direct wall mounting with 1/2" conduit wiring or standard J-box mounting

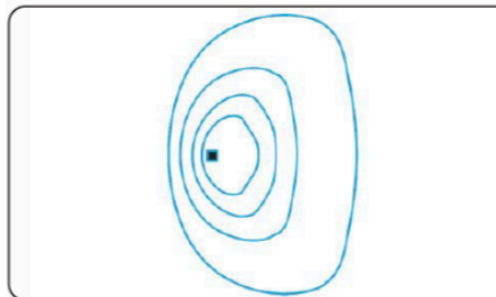
### Mounting Dimensions



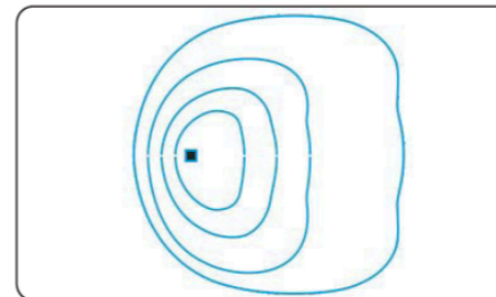
## PHOTOMETRICS

Mester offers a complete set of optical systems to meet every site lighting requirement. These systems provide remarkable flexibility in precisely matching light distribution patterns to specific site requirements.

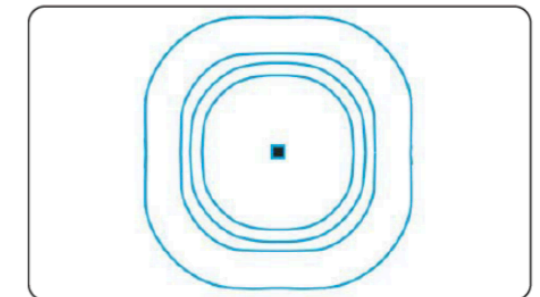
**Type 3:**  
Type 3 optics produce an asymmetrical pattern that directs the majority of the light forward and equally on both sides of the luminaire. In a back-to-back



**Type 4:**  
Type 4 is suitable for applications where light is primarily required forward, and minimal backlight is



**Type 5:**  
Type 5 optics produce a symmetrical square pattern that distributes light equally on all sides of the luminaire. Type 5 luminaires



## ADDITIONAL MOUNTING ACCESSORIES



POLE BRACKET • For mounting one fixture on an existing pole		WALL BRACKET • Attaches to any flat surface • Provides wiring access	
	<p><b>4" Square Pole Mount with 2-3/8" O.D. Tenon</b>            No. 4SQ-SP-D            Finish: Dark Bronze            USE: For use with square, non-tapered steel and aluminum poles. Furnished with four 5/16" hex head stainless-steel bolts. Vertical tenon measures 2-3/8" O.D., and is made of steel tubing. Fixtures mounted to this bracket can be adjusted both vertically and horizontally.</p>		<p><b>90° Wall Mount Bracket with 2-3/8" O.D. Tenon</b>            NO. WM-SP-D            Finish: Dark Bronze            USE: The 90° wall mount bracket with 2-3/8" tenon attaches an MESTER floodlight to almost any surface: wall, roof, or wood pole. Provides wiring access and abuilt-in 2-3/8" O.D. tenon to mount a fixture with our adjustable slipfitter. Suggested 3/8" diameter bolts for mounting. Mounting holes are spaced 3-1/4" apart.</p>
	<p><b>5" Square Pole Mount with 2-3/8" O.D. Tenon</b>            No. 5SQ-SP-D            Finish: Dark Bronze            USE: For use with square, non-tapered steel and aluminum poles. Furnished with four 5/16" hex head stainless-steel bolts. Vertical tenon measures 2-3/8" O.D., and is made of steel tubing. Fixtures mounted to this bracket can be adjusted both vertically and horizontally.</p>		
	<p><b>Pole Bracket accessories-Tenon &amp; Yoke Adaptor</b>            NO. SP-TR-D            Finish: Dark Bronze            USE: The 2-3/8" OD Tenon Mount Adaptor for Yoke Fixtures is designed to mount MESTER light fixtures that are equipped with a yoke mount onto a 2-3/8" OD tenon. It may be utilized with the Mester Flood Light Series of light fixtures.</p>		