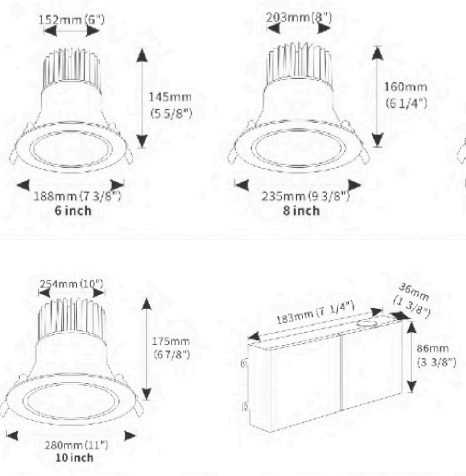


6 COMMERCIAL DOWNLIGHT 4K 30W GCTD6



- Durable airtight aluminum body with etched white polycarbonate diffuser lens for low glare
- LED Characteristics
- This general application light fixture features a 6" 20-40W LED module that maintains uniform intensity producing up to 4000 lumens; with a typical CRI of 80+. Available 2700K,3000K, 4000K,5000K,6000K,single CCT,3CCT tuneable
- Dimming
- 5%-100% dimming capability.This fixture is compatible with industry standard TRIAC/ELV dimmers
- Mounting
- The slim profile allows to be mounted under joists or duct work, including two spring loaded clips to attach some ceiling material
- Beam Angle
- 110°
- Warranty
- 5 years
- LED Driver
- Extruded junction box with 0-10dimmbler electronic LED driver with 120V AC 60Hz input voltage. Including an 18AWAG cable from driver to fixture
- Quick Connect push-in terminals
- Three"Quick connect" push-in terminals for fast and easy wiring
- Operating Temperature
- -20°C~+40°C(-4°F~+105°F)
- Environment
- Suitable for damp locations.
- Suitable for insulated ceiling applications.
- Lifespan
- 50000hours at 70% light output.
- Certifications
- ETL, Energy Star, ES, FCC
- LED Chips
- COB



Item No.	Size	Wattage	Dimensions	Cut Out	CCT	Input Voltage	CRI	Carton Size	Dimmable
GCTD6	6inch	20-40W	OD 188mm H 152mm	152mm	2700K-6000K	100-277V AC 60Hz	≥80	50*42*35cm	Yes
GCTD6 (3CCT)	6inch	20-40W	OD 188mm H 152mm	152mm	2700K-6000K	100-347V AC 60Hz	≥80	50*42*35cm	Yes

