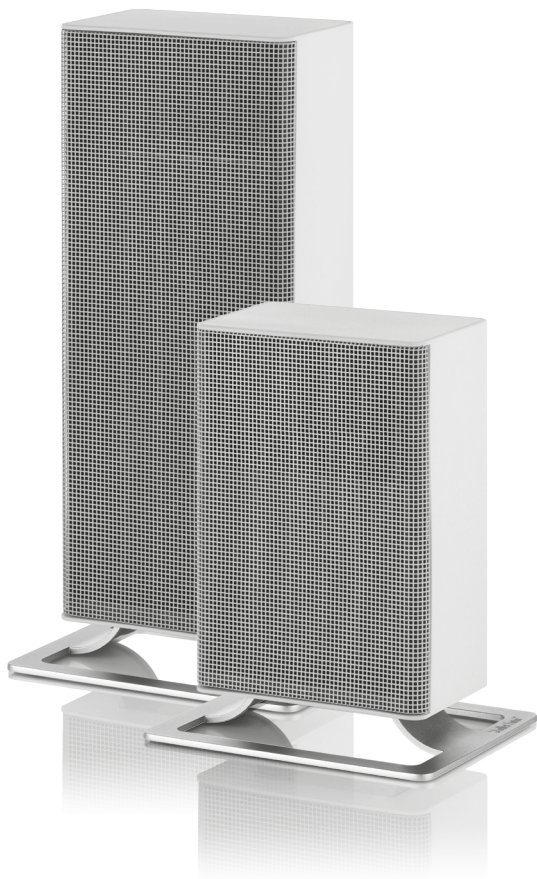


Anna & Anna little

Operating instructions
Mode d'emploi
Manual de instrucciones

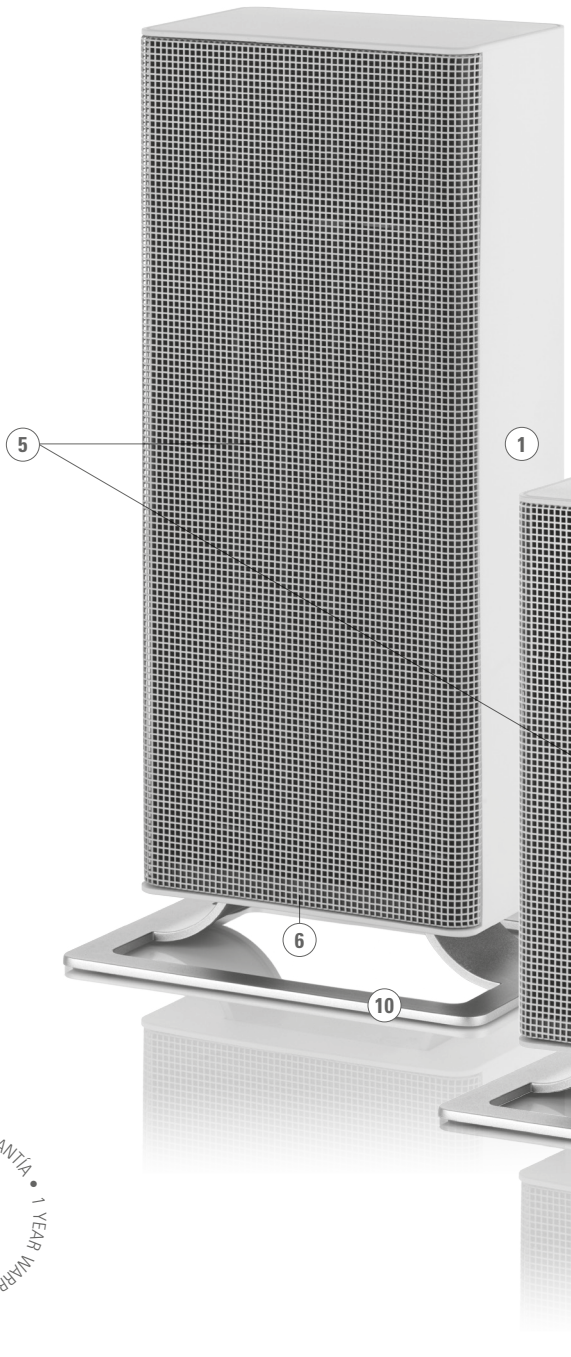
READ AND SAVE THESE INSTRUCTIONS
LISEZ ET CONSERVEZ CES INSTRUCTIONS
LEA Y GUARDE ESTAS INSTRUCCIONES



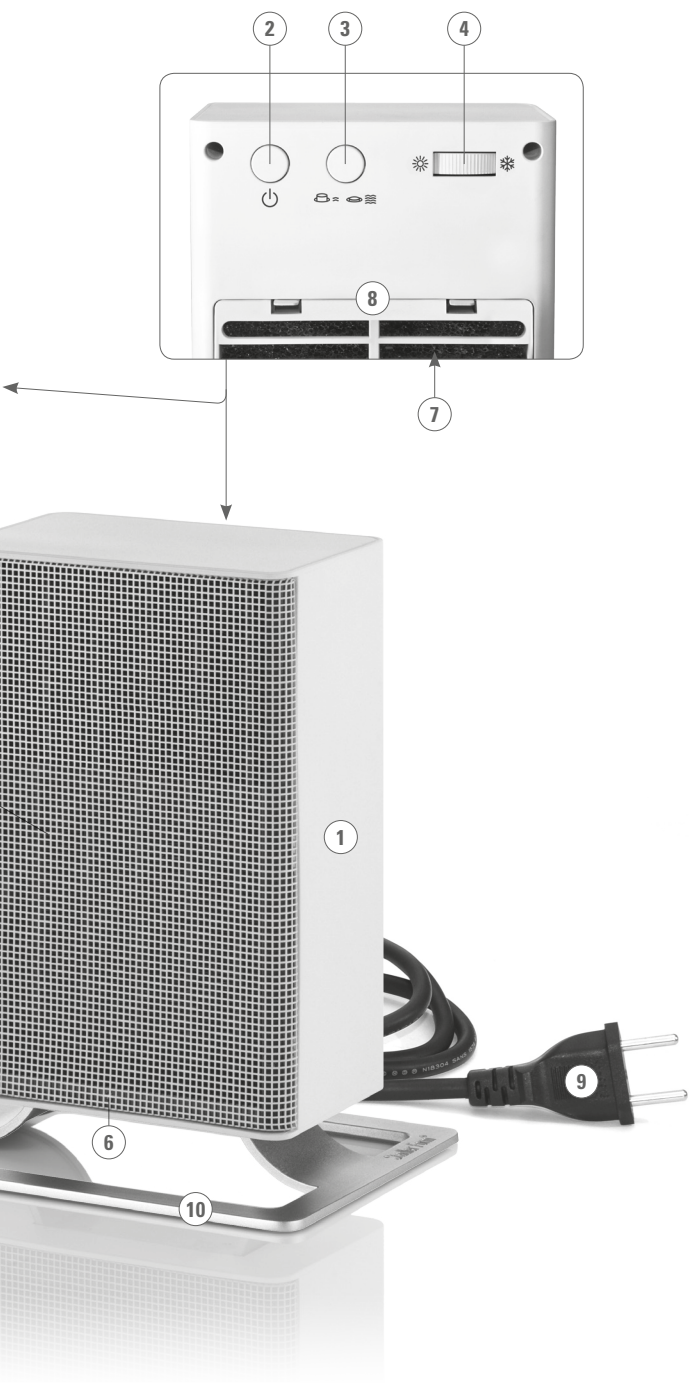
reddot design award
winner 2013

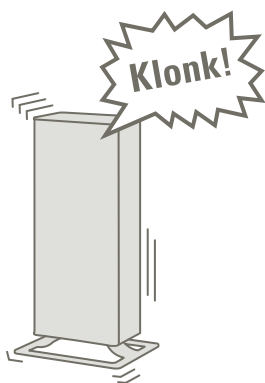
Stadler Form[®]

Anna & Anna little



1 AÑO DE GARANTÍA • 1 YEAR WARRANTY





en Important advice: If you hear a «klonk» noise from the appliance, it is the tip-over-switch which stops the heater in case it topples over.

fr Indication importante : Si vous entendez un bruit «klonk», ceci est un interrupteur de protection qui arrête le chauffage en cas de chute.

es Consejo importante: Si oye un ruido como «klonk» del aparato, se trata del interruptor de caída que detiene el calefactor en caso de que se caiga.



Download instruction manual:
Téléchargez le mode d'emploi :
Descargue el manual de instrucciones:
www.stadlerformusa.com/manuals



Learn more about the product Anna:
En savoir plus sur le produit Anna :
Obtenga más información sobre el producto Anna:
www.stadlerformusa.com/Anna
www.stadlerformusa.com/Anna-little



For frequently asked questions go to:
Trouvez la foire aux questions sur :
Para leer las preguntas frecuentes, visite:
www.stadlerform.com/Anna/support
www.stadlerform.com/Anna-little/support



Share your feedback about Anna on:
Partagez votre commentaire sur Anna :
Comparta sus opiniones sobre Anna en:
www.stadlerform.com/Anna
www.stadlerform.com/Anna-little



You **Tube**

Stadler Form of Switzerland

distributed in North America by Swizz Style®, Inc.
165 West Broadway Street, Dover, OH 44622, USA
Toll free 877-663-7895, www.stadlerformusa.com

English

Congratulations! You have just purchased the exceptional ANNA / ANNA little fan heater. It will bring you great pleasure and improve the ambient air for you.

As with all domestic electrical appliances, particular care is needed with this model also, in order to avoid injury, fire damage or damage to the appliance. Please study these operating instructions carefully before using the appliance for the first time and follow the safety advice on the appliance itself.

Description of the appliance

The appliance consists of the following main components:

1. Housing
2. On/Off button
3. Output button
4. Thermostat
5. Front cover
6. LED light
7. Removable and washable filter
8. Back cover
9. Cable
10. Foot

Important safety instructions - SAVE THESE INSTRUCTIONS

Please read through the operating instructions carefully before you use the appliance for the first time and keep them safely for later reference; if necessary pass them on to the next owner.

- **CAUTION** — Some parts of this product can become very hot and cause burns. Particular attention has to be given where children and vulnerable people are present.
- This appliance can be used by children aged from 8 years and above and persons with reduced physical, sensory or mental capabilities or lack of experience and knowledge if they have been given supervision or instruction concerning use of the appliance in a safe way and understand the hazards involved. Children shall not play with the appliance. Cleaning and user maintenance shall not be made by children without supervision.
- Children of less than 3 years should be kept away unless continuously supervised.
- Children aged from 3 years and less than 8 years shall only switch on/off the appliance provided that it has been placed or installed in its intended normal operating position and they have been given supervision or instruction concerning use of the appliance in a safe way and understand the hazards involved. Children aged from 3 years and less than 8 years shall not plug in, regulate and clean the appliance or perform user maintenance.
- If the supply cord is damaged, it must be replaced by the manufacturer, or its service agent, or a qualified person in order to avoid a hazard.

- Stadler Form refuses all liability for loss or damage which arises as a result of failure to follow these operating instructions.
- The appliance is only to be used in the home for the purposes described in these instructions. Any other use not recommended by the manufacturer may cause fire, electric shock, or injury to persons.
- This heater is hot when in use. To avoid burns, do not let bare skin touch hot surfaces. Use handle when moving this heater. Keep combustible materials, such as furniture, pillows, bedding, papers, clothes and curtains at least 3 feet (0.9 m) from the front and top of the heater and keep them away from the sides and rear.
- Extreme caution is necessary when any appliance is used by or near children or disabled persons and whenever the heater is left operating and unattended.
- Always unplug appliance when not in use.
- Do not operate any heater with a damaged cord or plug or after the appliance malfunctions, has been dropped or damaged in any manner. Return heater to authorized service facility for examination, electrical or mechanical adjustment, or repair.
- Never submerge the unit in water (danger of short circuiting).
- Only connect the cable to alternating current. Observe the voltage information given on the appliance.
- **Caution:** In order to avoid a hazard due to inadvertent resetting of the thermal cut-out, this appliance must not be supplied through an external switching device, such as a timer.
- Do not use outdoors.
- This heater is not intended for use in bathrooms, laundry areas and similar indoor locations. Never locate appliance where it may fall into a bathtub or other water container.
- Do not use this heater in the immediate proximity of showers, bathtubs, swimming pools, etc.
- Do not place the appliance near a heat source. Do not subject the power cord to direct heat (such as a heated hotplate, open flames, hot iron sole plates or heaters for example). Protect power cords from oil.
- Do not run cord under carpeting. Do not cover cord with throw rugs, runners, or the like. Arrange cord away from traffic area and where it will not be tripped over.
- Do not run the power cord over sharp edges and make sure that it does not get trapped. Do not pull the plug from the socket with wet hands or by holding on to the power cord.
- To disconnect the appliance, turn controls to off, then remove plug from outlet.
- Do not insert or allow foreign objects to enter any ventilation opening as this may cause an electric shock, fire or damage to the appliance.
- To prevent a possible fire, do not block air intakes or exhaust in any manner. Do not use on soft surfaces, like a bed, where openings may become blocked.
- A fan heater has hot or arcing or sparking parts inside. Do not use it in areas where gasoline, paint, or flammable liquids are used or stored.
- To prevent overload and blown fuses, be sure that no other appliance is plugged into the same outlet (receptacle) or into another outlet (receptacle) wired into the same circuit.

- It is normal for the heater's plug and cord to feel warm to the touch. A plug or cord which becomes hot to the touch or becomes distorted in shape may be a result of a worn electrical outlet (receptacle). Worn outlets or receptacles should be replaced prior to further use of the heater. Plugging heater into a worn outlet/receptacle/ may result in overheating of the power cord or fire.
- This heater is not intended for use with an extension cord. Plug the cord directly into an appropriate wall receptable.
- Be sure that the plug is fully inserted into an appropriate receptacle. Please remember that receptacles also deteriorate due to aging and continuous use: check periodically if signs overheating or deformations are evidenced by the plug. Do not use the receptacle and CALL your electrician.
- Check that neither the appliance nor the power cable have been damaged in any way during transportation.
- **Caution:** to prevent electric shock match wide blade of plug to wide slot, fully insert.
- Always use the heater in an upright position.
- Do not use the appliance close to walls, furniture, curtains etc.
- Do not cover the appliance when in operation as this could cause overheating and a possible fire.
- Do not use the appliance in rooms less than 43 square feet (4m²).
- For indoor use only.
- Do not store the appliance outdoors.
- The heater is fitted with a safety thermal cut-off which will switch off the appliance.
- The heater must not be located directly below a power outlet.

Setting up / operation

1. Having set up the Anna heater in the desired position connect the cable (9) to the household supply socket.
2. Switch on Anna by clicking the on/off button (2)
3. Using the output button (3), you can control the heating output of Anna
 - a. Button in = 1'500W / 800W (little)
 - b. Button out = 1'200W / 700W (little)
4. Room thermostat (4): The room thermostat control allows a variable temperature adjustment. Setting: for maximum temperature turn to the left (sun symbol), for minimum temperature, turn the control to the right (cold symbol).

Recommendation: Turn the thermostat control to the left to the maximum. If the desired room temperature has been reached, turn the thermostat control to the right until the appliance switches off. If the room temperature drops, then Anna switches on again automatically. Please note that after the thermostat switches off automatically, it takes a few minutes for the heater to switch on again!
5. Protection against over-heating: Anna is fitted with an over-temperature safety device which switches off the appliance in the case of a technical fault or improper use. Should this occur, pull the mains cable (9) out of the supply socket and remedy the fault or correct the method of use. The appliance can be put back into use when it has cooled down and has been disconnected from the mains supply for a short time.

Note: Make sure that there is always sufficient space between the appliance and the wall or other large objects (> 1.6ft / 50cm). The air flow must not be blocked by objects of any kind.

Cleaning

Before servicing the appliance and after each occasion of use, switch off the appliance and unplug the mains cable from the socket.

- Attention: Never immerse the appliance in water (danger of short-circuit).
- To clean the appliance, only wipe it down with a damp cloth and then dry it carefully.
- If the filter (7) behind the back cover is full of dust, please remove the filter, wash it or clean it with the vacuum cleaner.

Repairs

- Repairs to electrical appliances must only be carried out by a qualified electrical technician. If improper repairs are carried out, the warranty lapses and all liability is refused.
- Never operate the appliance if the adaptor or plug is damaged, after it has malfunctioned, if it has been dropped or has been damaged in any other way (cracks/breaks in the casing).
- Do not push any object into the appliance.
- If the appliance is beyond repair, make it unusable immediately by cutting through the cable and hand it in at the collection point provided for the purpose.

Disposal

- Do not dispose of electrical appliances in the domestic waste. Please use the communal collection points.
- Ask your local authority if you do not know where the communal collection points are located.
- If electrical appliances are disposed of thoughtlessly, exposure to the elements may cause hazardous substances to find their way into the groundwater and from there into the food chain, or to poison the flora and fauna for many years to come.

Specifications

Rated voltage	120V
Power output	ANNA 1'500/800W, ANNA little 1'200/700W
Dimensions	ANNA 5.75 x 14.45 x 3.74 inch / 146 x 367 x 95 mm ANNA little 5.75 x 9.29 x 3.74 inch / 146 x 237 x 95 mm (with x height x depth)
Weight	ANNA 4.3 lbs / 2.05 kg, ANNA little 3.3 lbs / 1.5 kg
Sound level	ANNA < 43 dB(A), ANNA little < 47 dB(A)
Complies with regulations	cETL

All rights for any technical modifications are reserved

1 year Limited Warranty

A This 1 year limited warranty applies to repair or replacement of product found to be defective in material or workmanship. This warranty does not apply to damage resulting from commercial, abusive, unreasonable use or supplemental damage. Defects that are the result of normal wear and tear will not be considered manufacturing defects under this warranty. **SWIZZ STYLE IS NOT LIABLE FOR INCIDENTAL OR CONSEQUENTIAL DAMAGES OF ANY NATURE. ANY IMPLIED WARRANTY OF MERCHANTABILITY OR FITNESS FOR A PARTICULAR PURPOSE ON THIS PRODUCT IS LIMITED IN DURATION TO THE DURATION OF THIS WARRANTY.** Some jurisdictions do not allow the exclusion or limitation of incidental or consequential damages or limitations on how long an implied warranty lasts, so the above limitations or exclusions may not apply to you. This warranty gives you specific legal rights, and you also may have other rights which vary from jurisdiction to jurisdiction. This warranty applies only to the original purchaser of this product from the original date of purchase.

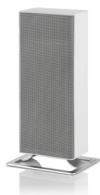
B At its option, Swizz Style will repair or replace this product if it is found to be defective in material or workmanship. Defective product should be returned to the place of purchase in accordance with store policy. Thereafter, while within the warranty period purchaser should contact Swizz Style at 1-877-663-7893 Monday – Friday 9am – 4pm EST for product return information.

C This warranty does not cover damage resulting from any unauthorized attempts to repair or from any use not in accordance with the instruction manual.

D If the product has replaceable filters, these are not covered under this warranty, except for material or workmanship defects.

E The following must accompany all products returned for service: 1) Proof of purchase 2) Brief description of the problem 3) Full contact information (including return shipping address) 4) Check or money order for \$10 (\$15 if in Canada) for return handling, packaging and shipping charges. All funds are in US dollars.

F Swizz Style is not responsible for items lost, stolen or damaged during return shipping



Félicitations! Vous venez d'acheter le superbe chauffage d'appoint ANNA / ANNA little. Nous espérons que cet appareil vous donnera entière satisfaction et améliorera l'air intérieur pour vous.

Comme pour tous les appareils ménagers électriques, il est important d'entretenir cet appareil correctement afin d'éviter les blessures, les incendies ou les dommages. Veuillez lire attentivement le présent mode d'emploi avant la mise en service et respecter les conseils de sécurité indiqués sur l'appareil.

Description de l'appareil

L'appareil est composé des éléments principaux suivants :

1. Boîtier
2. Touche marche/arrêt
3. Touche réglage puissance
4. Thermostat
5. Grille sortie d'air
6. Lumière LED
7. Filtre amovible et lavable
8. Grille d'entrée d'air
9. Câble
10. Pied

Conseils de sécurité importants - CONSERVEZ CE MODE D'EMPLOI

Veuillez lire attentivement le mode d'emploi avant la première mise en service de l'appareil et conservez-le pour toute consultation ultérieure ou remettez-le, le cas échéant, au nouveau propriétaire.

- **ATTENTION** — Certaines parties de ce produit peuvent devenir très chaudes et causer des brûlures. Une attention particulière doit être accordée aux enfants et personnes vulnérables présentes.
- Cet appareil peut être utilisé par des enfants de 8 ans et plus et des personnes dont les capacités physiques, sensorielles ou mentales sont diminuées, ou manquent d'expérience et de connaissances si elles ont été formées ou encadrées pour l'utilisation de l'appareil d'une manière sécuritaire, et elles sont conscientes des risques encourus. Les enfants ne doivent pas jouer avec cet appareil. Le nettoyage et l'entretien de l'utilisateur ne doivent pas être effectués par des enfants sans surveillance.
- Les enfants de moins de 3 ans doivent être tenus à l'écart sauf s'ils sont surveillés de façon continue.
- Les enfants entre 3 et 8 ans ne sont autorisés qu'à allumer/éteindre l'appareil à condition que celui-ci soit placé ou installé dans son emplacement d'utilisation ordinaire prévu et que les enfants aient été formés ou encadrés pour l'utilisation de l'appareil d'une manière sécuritaire, et ils sont conscients des risques encourus. Les enfants entre 3 et 8 ans ne sont pas autorisés à brancher l'appareil, faire des réglages ou effectuer le nettoyage et l'entretien de l'utilisateur.

• Pour éviter tout danger, faites remplacer le cordon d'alimentation endommagé par le fabricant, un agent agréé ou une personne qualifiée.

- La société Stadler Form décline toute responsabilité des dommages résultant du non-respect des indications données dans ce mode d'emploi.
- Cet appareil ne doit être utilisé qu'aux fins domestiques décrites dans ce mode d'emploi. Toute utilisation contraire à sa destination ainsi que toute modification technique apportée à l'appareil peut entraîner des risques pour la santé et la vie.
- Lorsque l'appareil est en marche, il devient très chaud. Pour prévenir les brûlures, évitez le contact de la peau nue avec les surfaces chaudes de l'appareil. Utilisez toujours la poignée pour le déplacer. Tenez tout ce qui est inflammable - meubles, coussins, couvertures, papier, vêtements et rideaux - à une distance minimale de 90 cm (3 pi) du dessus et du devant du radiateur, ainsi que des côtés et de l'arrière.
- Évitez de laisser l'appareil en marche sans surveillance en présence d'enfants ou de handicapés.
- Débranchez toujours le radiateur quand vous ne l'utilisez pas.
- N'utilisez pas l'appareil si le cordon, ou la fiche, est abîmé, ni après un dysfonctionnement ou une chute ou s'il a été en quelque sorte détérioré. Si vous constatez une fuite d'huile, arrêtez immédiatement l'appareil et contactez le service d'assistance. Pour les contrôles, les problèmes mécaniques et électriques et les réparations, adressez-vous au centre de Service le plus proche.
- Ne jamais plonger l'appareil dans l'eau (risque de court-circuit).
- Ne branchez le câble qu'au courant alternatif. Utilisez l'appareil en respectant le voltage correct.
- **Précaution** : Afin d'éviter tout danger dû au réarmement intempestif du coupe-circuit thermique, cet appareil ne doit pas être alimenté par l'intermédiaire d'un interrupteur externe, comme une minuterie.
- Évitez d'utiliser l'appareil en plein air.
- Évitez de l'utiliser dans la salle de bains, la buanderie ou autres pièces similaires. N'installez jamais le radiateur dans un endroit où il risque de tomber dans la baignoire ou dans une autre cuve contenant de l'eau.
- Ne pas utiliser l'appareil tout près de douches, baignoires, piscines, etc.
- Ne pas placer l'appareil à proximité directe d'une source de chaleur. Ne pas exposer le câble d'alimentation à la chaleur (comme p. ex. une plaque chaude de cuisinière, flammes nues, semelle chaude de fer à repasser ou poêles). Protéger le câble d'alimentation de tout contact avec de l'huile.
- Évitez de faire passer le cordon d'alimentation sous la moquette, les tapis, chemins d'escalier ou autres. Faites-le passer loin des zones de passage et des endroits où il serait piétiné. Ne pas faire passer ou coincer le câble d'alimentation par-dessus des arêtes vives. Ne jamais retirer la fiche de courant de la prise en tirant sur le câble d'alimentation ou en ayant les mains mouillées.
- Pour arrêter l'appareil, éteignez l'interrupteur et débranchez le cordon.
- Évitez d'introduire ou de faire tomber des corps étrangers dans les fentes de ventilation ou d'évacuation car cela pourrait provoquer des décharges électriques, causer un incendie ou abîmer le radiateur.

- Pour prévenir tout risque d'incendie, ne bouchez pas les prises d'air ni l'évacuation. N'utilisez pas l'appareil sur des surfaces molles (sur le lit) car les fentes risqueraient d'être bouchées.
- Il existe à l'intérieur du radiateur des pièces capables de devenir brûlantes ou de créer des étincelles pendant le fonctionnement. Évitez absolument de faire marcher l'appareil dans des endroits où on utilise/ stocke de l'essence, des vernis ou autres liquides inflammables.
- Pour empêcher de surcharger et de brûler les fusibles, assurez-vous qu'aucun autre appareil n'est branché sur la même prise ou sur une autre prise dont le fil serait relié au même circuit.
- La fiche et le cordon du radiateur peuvent chauffer pendant le fonctionnement.
- Mais s'ils sont brûlants ou s'ils se déforment, c'est souvent à cause de la prise qui est défectueuse. Remplacez les vieilles prises avant de continuer à utiliser l'appareil. Brancher l'appareil sur une prise défectueuse peut dire surchauffer le cordon et provoquer un incendie.
- Ne pas utiliser de rallonge avec ce chauffage. Branchez le cordon d'alimentation directement dans une prise secteur.
- Assurez-vous que la fiche est bien enfoncée dans la prise fixe. Les prises peuvent se détériorer avec le temps ; contrôlez périodiquement si les prises présentent des signes de surchauffe ou de déformation. Le cas échéant, n'utilisez pas la prise et faites-la réparer.
- Assurez-vous que l'appareil et le câble d'alimentation n'ont pas subi de dégâts pendant le transport.
- **Caution** : Pour éviter les chocs électriques, introduire la lame la plus large de la fiche dans la borne correspondante de la prise et pousser jusqu'au fond.
- N'utiliser l'appareil qu'en position verticale.
- Évitez d'utiliser l'appareil contre un mur, un meuble, un rideau, etc.
- Ne jamais couvrir l'appareil pendant le fonctionnement, pour éviter tout risque d'incendie.
- Ne jamais utiliser cet appareil dans une pièce dont la surface de base est inférieure à 4 m² (43 pi²).
- Pour usage intérieur uniquement.
- L'appareil ne doit pas être conservé à l'extérieur.
- Le chauffage est équipé d'un coupe-circuit thermique de sécurité qui permet d'éteindre l'appareil.
- L'appareil de chauffage ne doit pas être placé juste en dessous d'une prise de courant.

Mise en marche / Manipulation

1. Une fois que vous avez placé Anna à l'endroit voulu, branchez le cordon d'alimentation (9) à une prise secteur.
2. Appuyez sur la touche marche/arrêt (2) pour mettre Anna sous tension.
3. La touche de réglage (3) vous permet de régler la puissance d'Anna
 - a. Touche enfoncée = 1'500 W / 800 W (little)
 - b. Touche non enfoncée = 1'200 W / 700 W (little)
4. Thermostat (4): le thermostat assure la régulation continue de la température de la pièce. Réglage: pour atteindre la température maximale, tournez le thermostat vers la gauche (symbole «Soleil»); pour atteindre la température minimale, tournez le thermostat vers la droite (symbole «Froid»).

Recommandation: réglez le thermostat sur la température maximale. Une fois que la température désirée est atteinte, tournez le thermostat vers la droite jusqu'à ce que le radiateur s'arrête. Si la température de la pièce baisse, Anna se remettra en marche automatiquement. Veuillez noter qu'une fois le thermostat s'éteint automatiquement, le chauffage se remet en marche qu'après quelques minutes!

5. Protection anti-surchauffe : Anna est équipé d'une protection anti-surchauffe qui arrête l'appareil en cas d'anomalie technique ou d'utilisation non conforme. Si cela se produit, retirez le câble (9) de la prise et remédiez au problème ou utilisez l'appareil correctement. Attendez que l'appareil ait refroidi et débranchez-le pendant quelques instants avant de le remettre en service.

Remarque : Veuillez à placer le radiateur à une certaine distance du mur ou d'autres gros objets (> 50 cm / 1,6 pi). Cela permet au flux d'air de s'écouler sans entrave.

Nettoyage

Avant toute opération d'entretien et après chaque utilisation, veuillez mettre l'appareil hors tension et débrancher la prise du secteur.

- Attention : Ne jamais plonger l'appareil dans l'eau (risque de court-circuit).
- Nettoyer uniquement à l'aide d'un chiffon humide et bien sécher ensuite.
- Si le filtre (7) de la grille d'admission est encrassé, le déposer et le laver ou le nettoyer à l'aspirateur.

Réparations

- Les réparations sur les appareils électriques ne doivent être effectuées que par des électriciens qualifiés. La garantie s'éteint et toute responsabilité est exclue en cas de réparations non conformes aux règles de l'art.
- Ne mettez jamais l'appareil en service en cas d'endommagement d'un cordon ou d'une fiche, après un dysfonctionnement de l'appareil causé par une chute ou par une autre détérioration de l'appareil (boîtier fissuré/cassé).
- Ne pas pénétrer avec des objets quelconques dans l'appareil.
- Arrivé au bout de sa durée de vie, l'appareil doit immédiatement être rendu inutilisable (sectionner le cordon d'alimentation) et être déposé dans une déchetterie prévue à cet effet.

Elimination

- Ne jetez pas vos appareils électriques avec les ordures ménagères, utilisez les points de collecte municipaux.
- Veuillez consulter vos services municipaux pour connaître les points de collecte.
- La mise au rebut incontrôlée des appareils électriques peut entraîner, lors de précipitations, la filtration de matières dangereuses dans les eaux souterraines pouvant contaminer la chaîne alimentaire ou intoxiquer durablement la flore et la faune.

Caractéristiques techniques

Tension nominale	120V
Puissance nominale	ANNA 1'500 / 800W, ANNA little 1'200 / 700 W
Dimensions	ANNA 5,75 x 14,45 x 3,74 inch / 146 x 367 x 95 mm ANNA little 5,75 x 9,29 x 3,74 inch / 146 x 237 x 95 mm (largeur x hauteur x profondeur)
Poids	ANNA 4,3 lbs / 2,05 kg, ANNA little 3,3 lbs / 1,5 kg
Niveau de bruit	ANNA < 43 dB(A), ANNA little < 47 dB(A)
Conforme à la réglementation	cETL

Sous réserve de modifications techniques

Garantie limitée d'1 an

A. La présente garantie limitée d'1 an porte sur la réparation ou le remplacement du produit en cas de défaut de pièces ou de main d'oeuvre. Cette garantie ne porte pas sur les défauts issus d'une utilisation commerciale, non conforme, non raisonnable ou supplémentaire. Les défauts résultant de l'usure normale ne seront pas considérés comme des défauts de fabrication couverts par cette garantie. **SWIZZ STYLE DECLINE TOUTE RESPONSABILITE EN CAS DE DEFAUT ACCESSOIRE OU INDIRECT DE TOUTE NATURE. LA GARANTIE SUPPOSEE SUR LES PROPRIETES DE VALEUR COMMERCIALE OU LES CARACTERISTIQUES APPLIQUEES A UNE UTILISATION PARTICULIERE DU PRODUIT, EST LIMITEE DANS LE TEMPS, A SAVOIR A LA DUREE DE CETTE GARANTIE.** Certains fors juridiques n'autorisant pas l'exclusion ou la limitation des dommages accessoires ou indirects sur la durée d'une garantie supposée, les limitations ou exclusions susmentionnées peuvent ne pas s'appliquer à votre cas. Cette garantie vous accorde des droits légaux spécifiques, sous réserve d'autres droits dont vous pouvez bénéficier en fonction du for juridique. Cette garantie est valable uniquement pour l'acheteur initial de ce produit à partir de la date initiale d'achat de ce dernier.

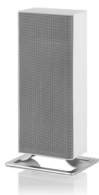
B. A sa discrétion, Swizz Style procédera soit à la réparation ou au remplacement de ce produit s'il présente des défauts de pièces ou de main d'oeuvre. Tout produit défectueux devra être retourné au point de vente conformément aux dispositions prévues par le magasin. Pendant la période de garantie, l'acheteur peut aussi contacter Swizz Style au 1-877-663-7893 du lundi au vendredi de 09h00 à 16h00 (EST, Heure Normale de l'Est) pour toute information relative au retour du produit.

C. La présente garantie ne couvre pas les dommages résultant d'une tentative non autorisée de réparation ou de toute utilisation non conforme au mode d'emploi.

D. Si le produit est équipé de filtres remplaçables, ces derniers ne sont pas couverts par la garantie, à moins qu'ils ne présentent un défaut de pièces ou de main d'oeuvre.

E. Tout produit retourné en garantie doit être accompagné de la documentation suivante: 1) Justificatif d'achat 2) Description brève du problème 3) Information complète sur le contact (y compris l'adresse de retour) 4) Chèque ou virement de \$10 (\$15 au Canada) pour la manipulation, l'emballage et les frais de transport retour. Tous les tarifs sont en dollars US.

F. Swizz Style décline toute responsabilité pour la perte, le vol ou la détérioration des articles pendant le transport retour.



¡Enhorabuena! Acaba de adquirir el extraordinario calefactor ANNA / ANNA little. Quedará encantado con sus beneficios y mejorará la calidad del aire ambiente.

Como con todos los aparatos electrodomésticos también este aparato exige un especial cuidado para evitar heridas, daños causados por incendios o daños en el aparato. Le rogamos por lo tanto que lea detenidamente el presente manual de instrucciones antes de proceder a su puesta en marcha y preste atención a las advertencias de seguridad indicadas en el aparato.

Descripción del aparato

El aparato tiene los siguientes componentes principales:

1. Carcasa
2. Interruptor on/off
3. Interruptor para regulación de potencia
4. Termostato
5. Rejilla frontal de salida
6. Piloto LED de estado
7. Filtro extraíble y lavable
8. Rejilla de entrada de aire
9. Cable
10. Pie

Advertencias de seguridad importantes - CONSERVE ESTAS INSTRUCCIONES

Por favor, lea detenidamente el manual de instrucciones antes de poner en marcha por primera vez el aparato y guárdelas bien por si necesitara consultarlas de nuevo más adelante o, dado el caso, pasárselas a un futuro nuevo propietario.

- **PRECAUCIÓN** — Algunos componentes de este aparato pueden calentarse mucho y causar quemaduras. Se debe prestar especial atención a aquellos lugares donde estén presentes niños o personas vulnerables.
- Este electrodoméstico puede usarse por niños mayores de 8 años y personas con capacidades físicas, sensoriales o mentales reducidas o que carecen de experiencia o conocimientos, siempre y cuando se les ofrezcan supervisión o instrucción respecto al uso del aparato de forma segura y comprendan los riesgos que implica. Los niños no deben jugar con el aparato. Los niños no deben realizar tareas de limpieza y mantenimiento sin supervisión.
- Los niños menores de 3 años deben mantenerse alejados salvo que se les supervise continuamente.
- Los niños mayores de 3 años y menores de 8 años solo encenderán y apagarán el aparato siempre que se haya colocado o instalado en la posición operativa normal prevista y se les haya supervisado o se les haya ofrecido formación respecto al uso del aparato de forma segura y

entiendan los riesgos que implica. Los niños mayores de 3 años y menores de 8 años no deben enchufar, regular y limpiar el aparato o realizar el mantenimiento del usuario.

- Si el cable de alimentación presenta daños, debe sustituirlo el fabricante, su agente de mantenimiento o personal con una cualificación similar para evitar cualquier riesgo.

- Stadler Form declina cualquier responsabilidad por los daños resultantes de una utilización del aparato no conforme a este manual de instrucciones.
- El aparato sólo se ha de utilizar en el hogar y con los fines descritos en este manual de instrucciones. Una utilización no conforme a las disposiciones así como modificaciones técnicas en el aparato pueden poner en peligro la salud y la vida.
- Este calefactor se calienta durante el uso. Para evitar quemaduras, procure no tocar superficies calientes con la piel sin protección. Use la manija para desplazar este calefactor. Mantenga el material combustible, tal como muebles, almohadas, ropa de cama, papeles, prendas y cortinas, a una distancia de al menos 90 cm (3 pi.) de la parte frontal y superior del aparato, así como de los costados y de la parte trasera del radiador.
- Ponga extremo cuidado cuando use cualquier calefactor cerca de niños o inválidos y cuando el calefactor se deje funcionando sin vigilancia.
- Siempre desconecte el calefactor cuando no lo esté usando.
- No haga funcionar ningún calefactor con el cable o enchufe averiado o si éste funcionara mal, por haberse caído o averiado en algún modo. Devuelva el calefactor al servicio técnico autorizado para su examen, ajuste mecánico o eléctrico o reparación.
- No sumerja jamás el aparato en agua (riesgo de cortocircuito).
- Conecte el aparato solo a un enchufe debidamente instalado con la tensión correcta.
- **Precaución:** Para evitar cualquier riesgo debido a un reinicio inadvertido del sensor térmico, no se debe suministrar este aparato mediante un interruptor eléctrico externo, como un temporizador.
- No use el aparato a la intemperie.
- El calefactor no se debe de usar en baños, lavaderos y otros locales similares. Nunca coloque el calefactor en donde se pueda caer en la bañera o en cualquier otro recipiente con agua.
- Não utilizar o aparelho nas proximidades de duchas, banheiras, piscinas, etc.
- No sitúe el aparato cerca de un foco calorífico. No exponga el cable de red directamente al calor (como p.ej. fogones calientes, llamas, planchas calientes o estufas). Proteja el cable de red del aceite.
- No pase el cable por debajo de la alfombra. No cubra el cable con tapetes, alfombras o similares. Ponga el cable lejos de zonas transitadas y donde no pueda provocar tropezones.
- No deje nunca el cable colgando, no lo extraiga del enchufe con las manos mojadas, no lo coloque o cuelgue encima de superficies calientes ni permita que entre en contacto con aceites.

- Para desconectar el calefactor, apague los mandos y luego desenchúfelo.
- No introduzca ni permita que entre ningún objeto extraño en la ventilación o salida de aire, porque esto puede causar una descarga eléctrica, incendio o avería del calefactor.
- Para evitar incendios, no cubra las entradas o salidas de aire de ninguna manera. No use el calefactor sobre superficies blandas, como una cama, en donde las aberturas se podrían bloquear.
- Un calefactor tiene adentro partes calientes o que causan chispas. No lo use en zonas donde se use o almacene gasolina, pintura o líquidos inflamables.
- Para prevenir una sobrecarga de corriente y que se quemen los fusibles, verifique que no haya otros aparatos conectados en el mismo tomacorriente o en otro tomacorriente conectado en el mismo circuito.
- Es normal que el enchufe y el cable de alimentación del aparato se sientan calientes al tacto. Sin embargo, si el enchufe o el cable están calientes o se deforman, puede ser debido a un tomacorriente gastado. Los tomacorrientes o enchufes gastados se deben sustituir antes de seguir utilizando el aparato. Si se conecta un aparato en un tomacorriente deteriorado, el cable de alimentación podría llegar a provocar un incendio.
- Este calefactor no se debe usar con un cable de extensión. Enchufe el cable directamente a una toma de pared adecuada.
- Controle que el enchufe esté bien conectado y que el tomacorriente sea adecuado. Recuerde que los tomacorrientes se deterioran con el tiempo y el uso continuo. Controle periódicamente si el enchufe muestra signos de recalentamiento o deformación. En tal caso, no utilice el tomacorriente y llame inmediatamente a un electricista.
- Controle que el aparato y el cable de alimentación no hayan sufrido daños durante el transporte.
- **Atención:** para prevenir descargas eléctricas haga coincidir la espiga plana del enchufe con la entrada ancha e introdúzcalo hasta el fondo.
- Utilizarlo solamente en posición vertical.
- En el uso portátil, no apoyar la parte trasera del aparato contra paredes, muebles, cortinas, etc.
- No cubrir el aparato mientras esté funcionando, ya que podría ser causa de incendio.
- No utilizar el aparato en un local cuya planta sea inferior a 4 m² (43 pie²).
- Sólo para uso en el interior del hogar.
- No guarde el aparato en el exterior.
- El calefactor está equipado con una desconexión térmica de seguridad que apaga el aparato.
- Evite colocar el calefactor directamente bajo un enchufe.

Puesta en funcionamiento / manejo

1. Una vez colocado el calefactor en el lugar deseado, conecte el cable (9) al enchufe.
2. Presione el interruptor de on/off (encendido/apagado) (2) para encender el aparato.
3. El interruptor de regulación de potencia (3) le permite graduar la intensidad del calefactor.
 - a. Botón presionado = 1'500 W / 800 W (little)
 - b. Botón no presionado = 1'200 W / 700 W (little)

4. Termostato (4): El termostato le permite una selección progresiva de la temperatura ambiente. Regulación: para alcanzar la temperatura máxima, gire el termostato hacia la izquierda (icono del sol). Para alcanzar la temperatura mínima, gírelo hacia la derecha (icono del frío).

Recomendación: gire el termostato hasta ponerlo en la temperatura máxima; una vez alcanzada la temperatura que usted desea, gire el termostato hacia la derecha hasta que el calefactor se apague. Cuando la temperatura ambiente descienda, el aparato se encenderá de nuevo automáticamente. ¡Por favor, tenga en cuenta que una vez que el termostato se apaga de forma automática, tarda algunos minutos en volver a encender el calefactor!

5. Dispositivo de seguridad contra el recalentamiento: Anna va equipado con un dispositivo de seguridad contra el recalentamiento que desconecta el aparato en caso de fallo técnico o de una utilización inadecuada. Si se produjera este caso, desenchufe el cable de conexión a la red (9) del enchufe y repare el fallo o corrija el modo de utilización. El aparato se puede poner de nuevo en marcha cuando esté frío de nuevo después de haber estado desenchufado durante un breve lapso de tiempo.

Indicación: Asegúrese de que haya suficiente espacio entre el calefactor y la pared o cualquier otro objeto de grandes dimensiones (> 50 cm / 1.6 pi). La circulación de la corriente de aire no debe verse perturbada por ningún tipo de objeto.

Limpeza

Desconecte y desenchufe el aparato antes de cualquier operación de mantenimiento y después de cada uso.

- Atención: No sumerja jamás el aparato en agua (riesgo de cortocircuito).
- Límpielo solo con un paño húmedo y a continuación séquelo.
- En el caso de que el filtro (7) de la rejilla de entrada de aire esté cubierto de polvo, proceda a eliminarlo y lave el filtro o límpielo con una aspiradora.

Reparaciones

- Las reparaciones en los aparatos eléctricos (cambio del cable) sólo han de ser llevadas a cabo por personal especializado y debidamente formado. En caso de haberse procedido a reparaciones indebidas, la garantía déjase de tener efecto y se declina cualquier responsabilidad.
- Nunca ponga en marcha el aparato si el cable o el enchufe están estropeados, si falla alguna de las funciones, si el aparato se ha caído o si ha sufrido algún otro desperfecto (rajas/roturas en el chasis).
- No introducir ningún tipo de objetos en el aparato.
- Una vez llegado el aparato al final de su vida útil, inutilizarlo inmediatamente (separar el cable) y entregarlo en el centro de recogida previsto a tal efecto.

Eliminación

- No elimine los aparatos electrodomésticos como basura doméstica. Llévelos al servicio de recogida de estos aparatos de su municipio.
- Infórmese en el ayuntamiento del lugar donde están ubicados estos centros de recogida.
- Si se eliminan los aparatos eléctricos de manera descontrolada, es posible que al descomponerse ciertas sustancias peligrosas se extiendan por

la capa freática y afecten a la cadena alimentaria o emponzoñen durante muchos años la flora y la fauna.

Datos técnicos

Tensión nominal	120V
Potencia	ANNA 1'500 / 800W, ANNA little 1'200 / 700 W
Dimensiones	ANNA 5.75 x 14.45 x 3.74 inch / 146 x 367 x 95 mm ANNA little 5.75 x 9.29 x 3.74 inch / 146 x 237 x 95 mm (ancho x alto x largo)
Peso	ANNA 4.3 lbs / 2.05 kg, ANNA little 3.3 lbs / 1.5 kg
Nivel de intensidad acústica	ANNA < 43 dB(A), ANNA little < 47 dB(A)
Cumple la norma	cETL

Quedan reservadas modificaciones técnicas

Garantía limitada por un año

A. La presente garantía limitada por un año comprende la reparación o sustitución de productos con defectos de material o fabricación. Esta garantía no cubre los daños resultantes de un uso comercial, excesivo, indebido u otro. Los defectos resultantes de su uso habitual no serán considerados como defectos de fabricación según lo estipulado en la presente garantía. **SWIZZ STYLE NO SE RESPONSABILIZARÁ EN CASO DE DAÑOS INCIDENTALES DE CUALQUIER NATURALEZA. CUALQUIER GARANTÍA IMPLÍCITA DE COMERCIALIZACIÓN O APTITUD PARA UN USO PARTICULAR DEL PRESENTE PRODUCTO ESTARÁ LIMITADA AL PERIODO DE VIGENCIA DE ESTA GARANTÍA.** Algunas jurisdicciones no permiten la exclusión o la limitación de daños incidentales o limitaciones en cuanto al periodo de validez de la garantía, por lo que las limitaciones o exclusiones anteriormente establecidas puede que no sean aplicables dependiendo de su caso. La presente garantía le concede determinados derechos legales que no excluyen la existencia de otros, dependiendo de la jurisdicción a la que se halle sometido. Esta garantía únicamente es aplicable al comprador original del producto y entrará en vigor a partir de la fecha de adquisición de este.

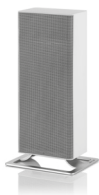
B. Si así lo considerare oportuno, Swizz Style reparará o sustituirá el producto si este presenta defectos en sus componentes o en su fabricación. El producto defectuoso deberá devolverse al punto de compra según la política del establecimiento. A partir de entonces, durante el periodo de validez de la garantía, el comprador podrá ponerse en contacto con Swizz Style llamando al teléfono 1-877-663-7893, de lunes a viernes, de 9.00 a 16.00 horas (GMT -05:00), para solicitar cualquier información sobre la devolución del producto.

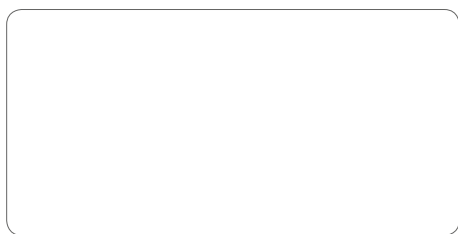
C. La presente garantía no cubre los daños resultantes de intentos no autorizados de reparación o debidos a cualquier uso que no se contemple en el manual de instrucciones.

D. En caso de que el producto cuente con filtros intercambiables, estos no se hallan cubiertos por la presente garantía, excepto en caso de defecto de material o fabricación.

E. Cualquier producto que sea devuelto, deberá ir acompañado por los siguientes documentos: 1) Prueba de compra 2) Breve descripción del problema 3) Información de contacto completa (incluida la dirección de devolución) 4) Cheque u orden de pago por un importe de 10 \$ (15 \$ para Canadá) en concepto de costes de manipulación, empaquetado y envío. Cualquier pago se realizará en dólares estadounidenses.

F. Swizz Style no se responsabilizará por aquellos artículos perdidos, robados o dañados durante la devolución.





Retailer's stamp /

Cachet du point de vente / Sello del establecimiento de venta



Design by Matti

Thanks to all people involved in this project: Del Xu for his engagement, ideas and organisation, John Ye for the development, engineering and CAD work, Claudia Fagnini for the photos, Matti Walker for the timeless, unique, elegant design and graphic work.

Martin Stadler, CEO Stadler Form Aktiengesellschaft