

ANGLES

8 Choose you angle

Outdoor knives

Hunting knife (light use / detail cutting): 20°

Hunting knife (heavy use / hard cutting): 25°

Fishing / Filet knife: 20°

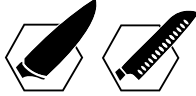
Camp knife (heavy use fixed blades): 30°



Kitchen

Western style: 20°

Eastern style: 15°



Pocket knives / EDC knives

Heavy use: 25°

Light use: 20°



A FEW WORDS ABOUT US

We have been working hard to improve Hapstone sharpeners for you since 2012

We are a group of people who have been knife fans for a long time. Back in 2012 we realized that existing sharpening system solutions weren't satisfactory for us.

Obtaining the strong desire, experience, and technical ability, we decided to create the first Hapstone sharpener

At that time it was called the Hapstone Pro.

Since then we've been actively improving our sharpeners, listening carefully to your wishes. You can always contact our specialists with any questions on sharpening topics. Regardless of your final goals we'll always find the perfect solution for your request.

Hapstone products have a 5-year warranty!



40035, Ukraine
Sumy, st. Ivana Sirko 10
info@hapstone.pro
hapstone.pro@gmail.com

PLEASE LEAVE A REVIEW



INSTRUCTIONS

HAPSTONE

This manual will help you to assemble your Hapstone sharpener fast and easily. It takes just a few steps till your knife will get sharp.

1 Installing the module holder

Attach the module holder to the sharpener base by securing it with two screws.

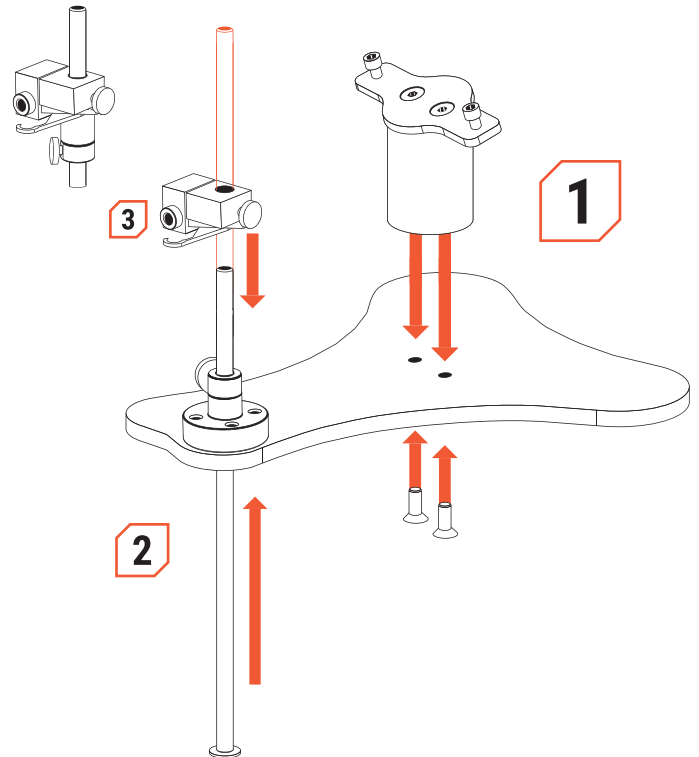
2 Installing the vertical rod

Insert the vertical rod from the bottom of the base and tighten the locking bolt (ring).

3 Installing the hinge block

Place the hinge block on the vertical rod.

Depending on the equipment, install the (fine-tuning adapter) before installing the pivot block.

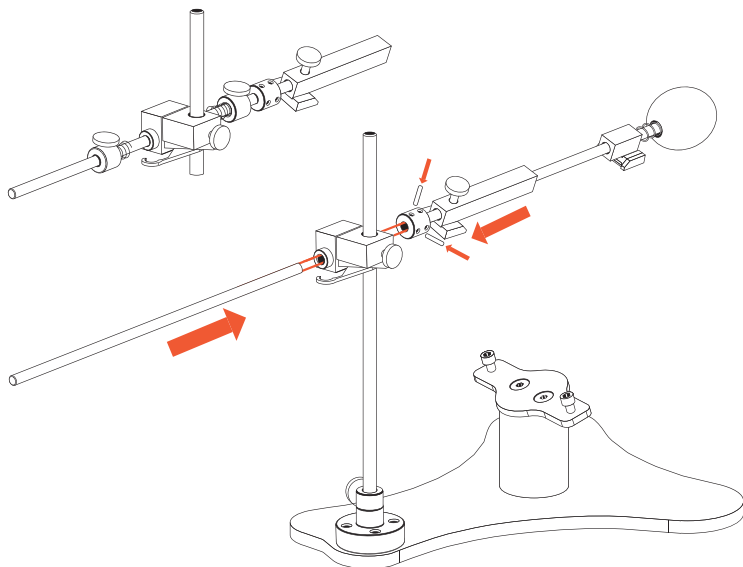


ASSEMBLING

4 Assembling the horizontal rod

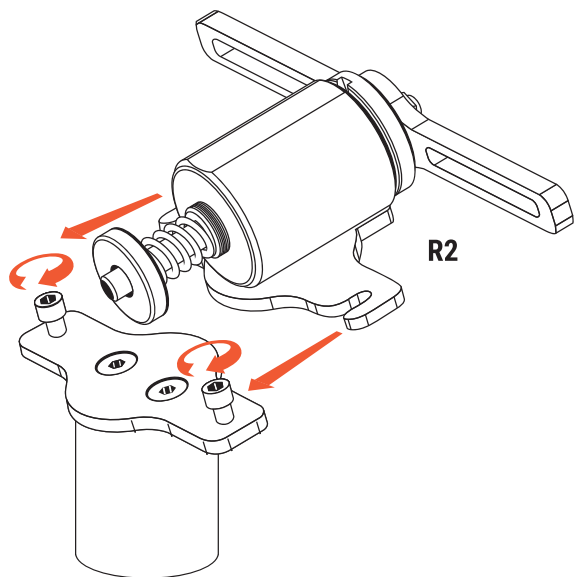
Attach the horizontal rod to the stone holder by tightening the two screws with the wrench provided.

Depending on the configuration of the sharpener, mount the stoppers on the horizontal rod.

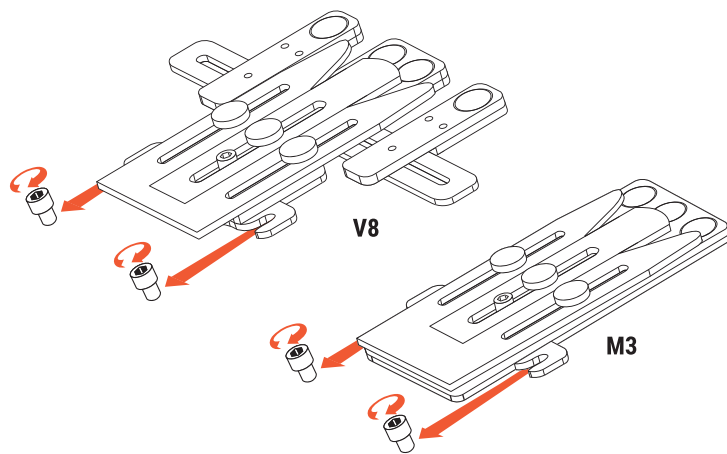


5 Installing the module

Depending on the model of sharpener, install the module on the holder by tightening the bolts with the wrench provided.

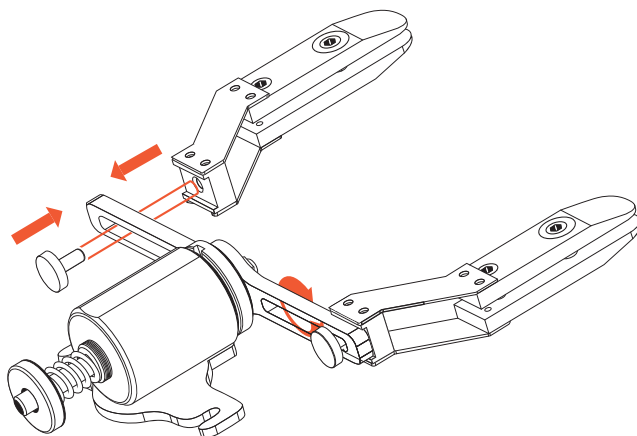


ASSEMBLING



6 Installing the knife clamps

According to the configuration of your Hapstone sharpening system, install and secure the knife clamps.



7 Installing the stone

Select the stone for knife sharpening and insert it into the slot of the clamping block.

