



## **INSTALLATION & USER'S GUIDE**

RadiusCX Clutch  
For KTM/Husqvarna CSS clutches

Doc ID: 191-7902A

Revision: 040919

**TABLE OF CONTENTS**

OVERVIEW ..... 3

INSTALLATION TIPS ..... 3

TOOLS NEEDED ..... 4

INCLUDED PARTS ..... 5

DISASSEMBLE THE CLUTCH ..... 6

INSTALL THE HUB ..... 8

CLUTCH PACK INSTALLATION..... 9

PRESSURE PLATE INSTALLATION ..... 14

SLAVE CYLINDER INSTALLATION ..... 17

    Step 1: Bleed the new slave cylinder ..... 17

    Step 2: Replace OE slave cylinder ..... 20

BLEED THE CLUTCH LINE ..... 24

SET THE INSTALLED GAP AND VERIFY BY CHECKING FREE PLAY  
GAIN..... 27

    Step 1: Find the starting point ..... 28

    Step 2: Learn how to check Free Play Gain ..... 29

    Two Ways to Check for Free Play Gain ..... 31

    The Rubber Band Method ..... 31

    The Hand Method ..... 34

    Step 3: Break-in the new clutch ..... 36

    Step 4: Adjust the installed gap and Recheck Free Play Gain... 38

FREE PLAY GAIN ADJUSTMENTS ..... 40

MAINTENANCE ..... 41

    Disk inspection examples ..... 43

TROUBLESHOOTING ..... 44

    Performance issues ..... 44

    Clutch noise ..... 44

EXP TUNING OPTIONS ..... 44

    Changing the springs ..... 45

    Configuration chart ..... 47

BUMP-STARTING ..... 47

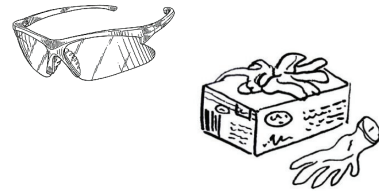
NEED ADDITIONAL HELP? ..... 48

# OVERVIEW

This kit replaces many of the OE (Original Equipment) clutch parts while reusing some of the OE clutch parts. The following is a summary of what is replaced and what is reused:

- All OE steel drive plates will be replaced with Rekluse TEC drive plates
- All OE friction disks will be replaced with Rekluse TorqDrive® disks
- All 6 of the OE drive pins will be reinstalled
- The OE clutch cover O-ring will be reused











## INSTALLATION TIPS



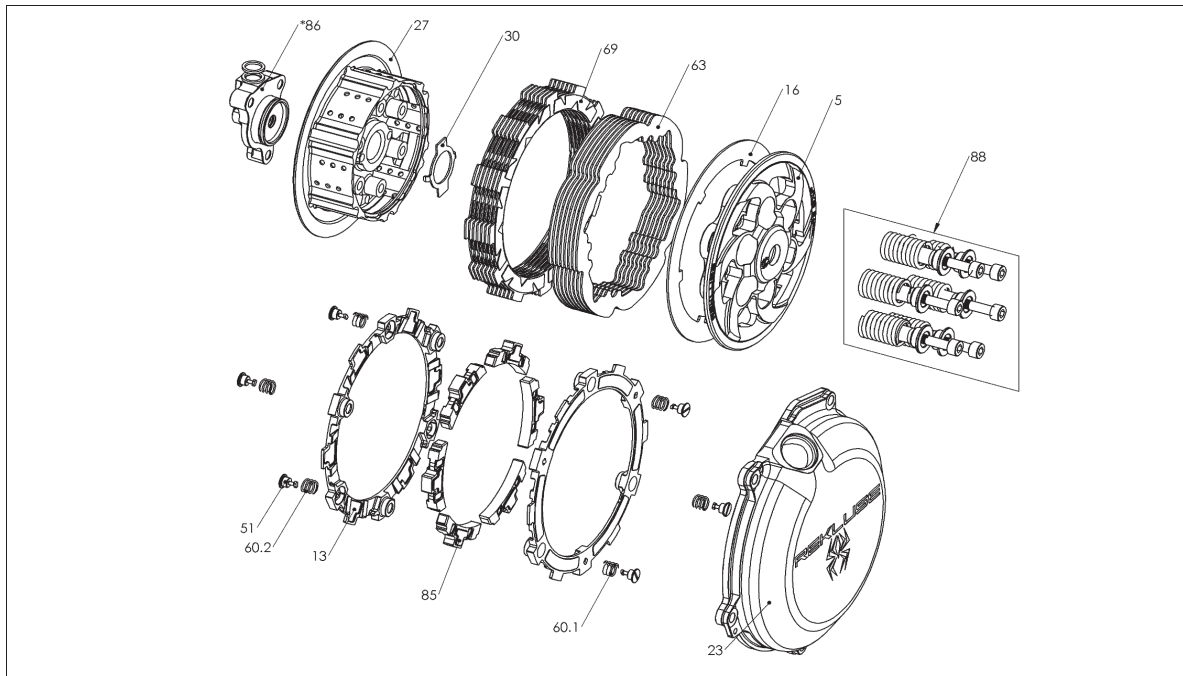
- Read the safety information sheet included with your kit.
- Watch the “RadiusCX Auto Clutch Installation Video” by visiting [www.rekluse.com/support/videos](http://www.rekluse.com/support/videos).
- Protect eyes and skin – wear safety glasses and thin disposable work gloves.
- Read this entire document before performing any steps.
- Lay the motorcycle on its left side when replacing the clutch. This makes the clutch work easier and eliminates the need to drain the oil.
- Use an air or electric impact wrench to remove the center clutch nut. If one is not available, you can place the bike in top gear and hold the rear brake while loosening the center clutch nut with a socket and breaker bar.
- Channel-lock pliers work best to bend the tabs of the washer up over the center clutch nut.
- For optimal clutch performance Rekluse recommends using fresh, clean oil that **meets JASO-MA** oil rating requirements. Rekluse offers Factory Formulated Oil™ developed specifically for Rekluse products. Rekluse Factory Formulated Oil is a perfect complement to any OEM or aftermarket wet clutch. Visit [www.rekluse.com](http://www.rekluse.com) to learn more.

- Bikes with taller gearing or modified engines with increased horsepower may require heavier wedges. These can be purchased separately from Rekluse.

## **TOOLS NEEDED**

 4 mm	 5 mm	 8 mm	 27 mm
4 mm Allen Wrench	5 mm Allen Wrench	8 mm Socket	27 mm Socket
			
Torque Wrench	Channel-lock Pliers	Fluid Catch Container	No Tools Required
			
Recommended Clutch Fluid	Calipers		

# **INCLUDED PARTS**



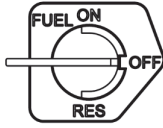
<b>Item</b>	<b>Description</b>	<b>Qty.</b>
5	Pressure Plate	1
13	EXP Bases	2
16	Steel Lining Plate	1
23	Clutch Cover	1
27	Center Hub	1
30	Lock Tab Washer	1
51	Fastener - 1/4-Turn Pin	6
60.X	EXP Adjustment Spring (extra adjustment springs are included, see last page for EXP tuning options)	6
63	Steel Drive Plate	8 or 9*
69	TorqDrive® Friction	7 or 8*
85	Wedge Assembly	6
86	Adjustable Slave Cylinder Assembly (bleed syringe included)	1
88	Spring Kit	1

\*depending on bike model

Visit [www.rekluse.com/support](http://www.rekluse.com/support) for a full parts fiche illustration and part numbers.

# DISASSEMBLE THE CLUTCH

1. Turn the fuel petcock to “OFF” if applicable.



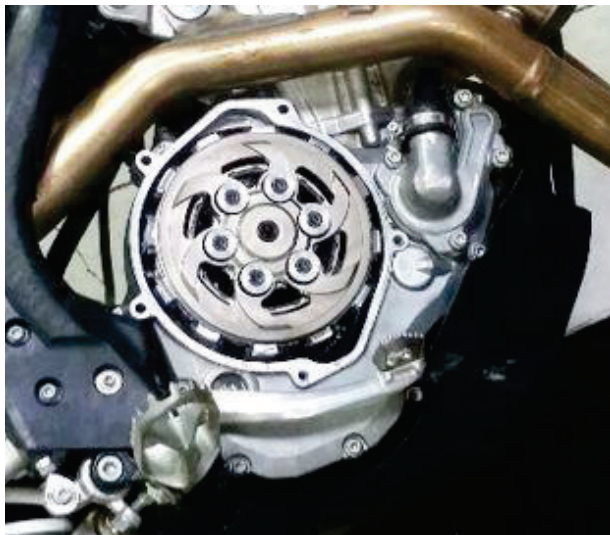
2. Lay the bike on its left side. Catch any fuel that might drain in a suitable container.



3. Use an 8 mm socket to remove the clutch cover.



8 mm

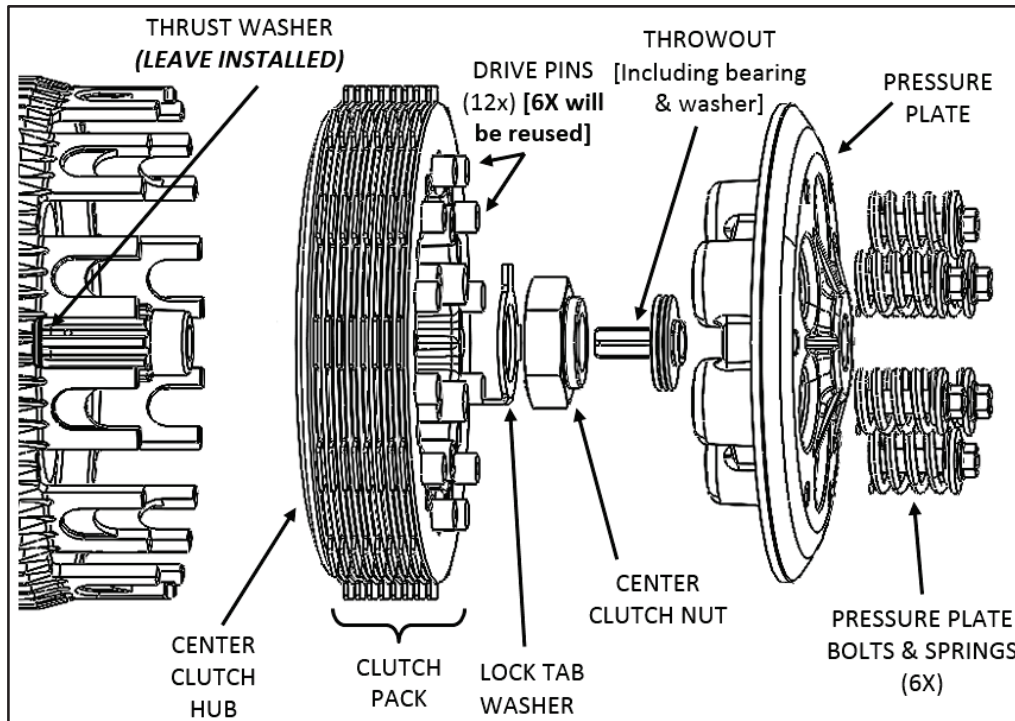


4. Use an 8 mm socket to remove the following OE parts.  
See following picture for reference.



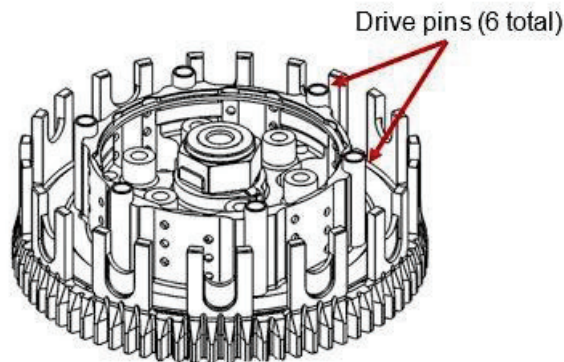
8 mm

- 6 pressure plate bolts and springs
- Pressure plate
- Throw-out bearing and washer
- Center clutch nut and washer
- 12 drive pins
- Clutch pack
- Center clutch hub

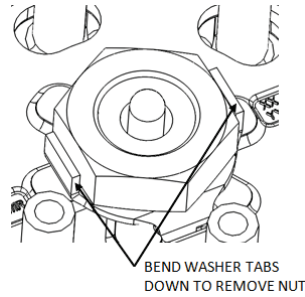


**CAUTION**

***Be careful that the drive pins do not fall into the engine while disassembling.***



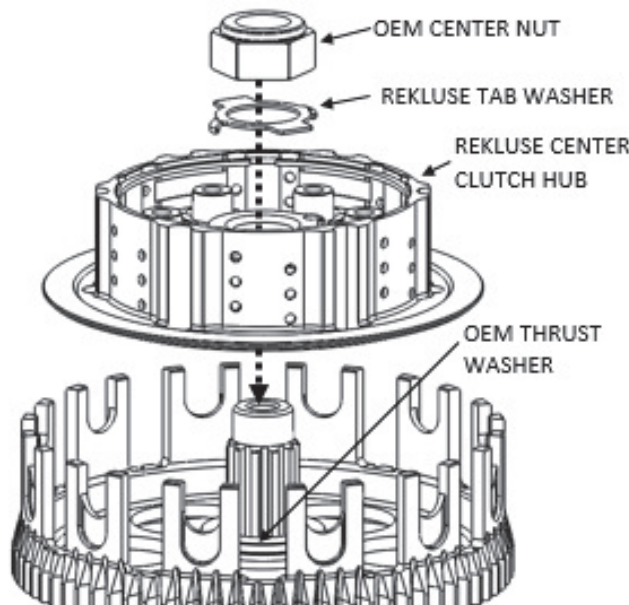
5. Use a hammer and large screwdriver to bend down the tabs of the washer tab, then remove the center clutch nut with an impact wrench or breaker bar, and a 27 mm socket.



6. Remove the tab washer, then remove the hub.

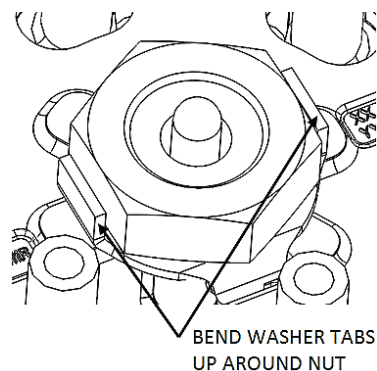
## **INSTALL THE HUB**

1. Install the new Rekluse center clutch hub into the bike. Check to make sure the thrust washer is still on the main shaft before you install the hub.
2. Reinstall the Rekluse tab washer and OE center clutch nut.
3. Using the 27 mm socket and torque wrench, torque the center clutch nut to 50 ft-lbs (68 N-m).

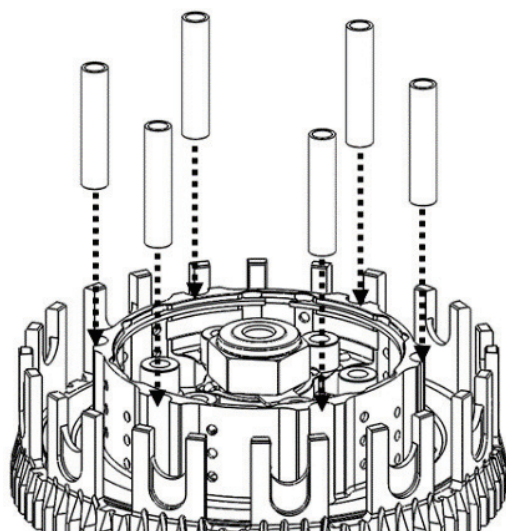




4. Bend up both tabs of the tab washer using channel-lock pliers.



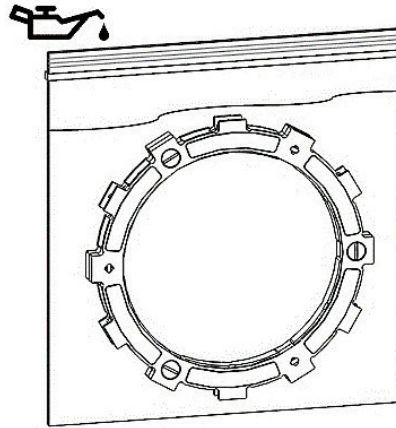
5. Seat the 6 OE drive pins into the Rekluse outer hub.



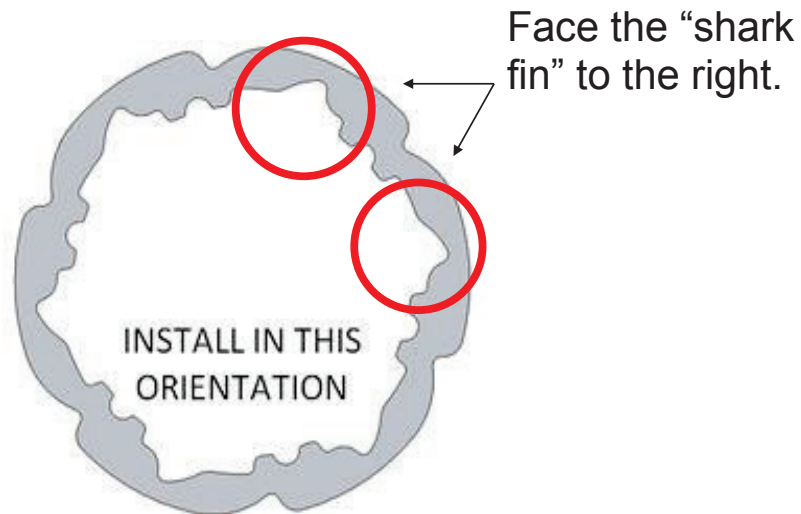
## **CLUTCH PACK INSTALLATION**

Each clutch pack comes with a set of steel plates, a set of friction disks, and an EXP disk. The specifics of the clutch pack depend on the bike. The height of the assembled clutch pack and specific information for each bike can be found on the Setup Sheet.

1. Soak the friction disks and EXP disk in new oil for at least 5 minutes. Make sure the EXP and friction disks are coated on both sides.



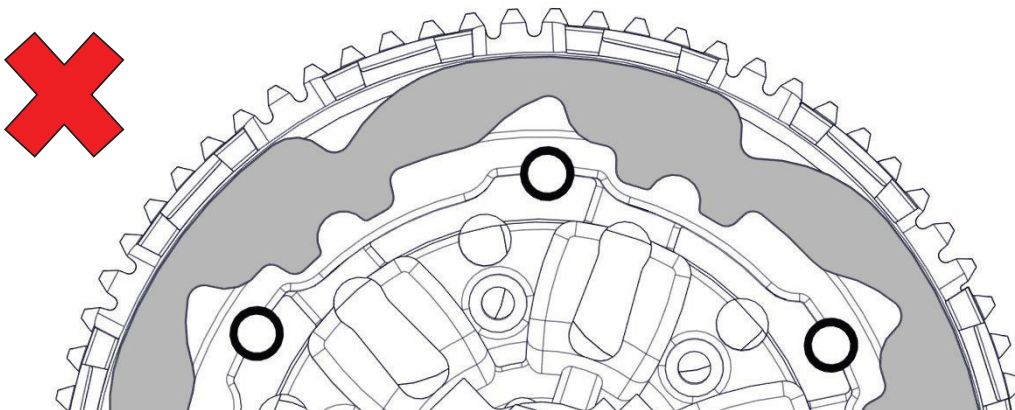
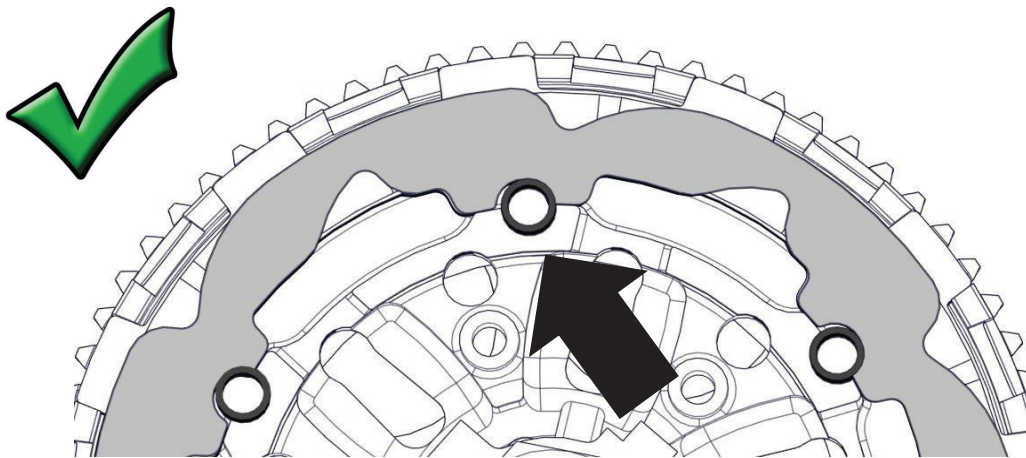
2. Install a steel drive plate first. Hold a TEC drive plate so that the “shark fin” notches face toward the right. All the drive plates will follow this orientation.



**NOTICE**

*Proper orientation of the drive plates is critical for optimal clutch performance. If you install them backwards the clutch will still function but will lack proper modulation performance.*

- Align the drive pin notches in the TEC drive plate with the drive pins on the hub, then install the drive plate into the basket. Be sure that the drive pins are seated in the notches and not in the bigger sections.

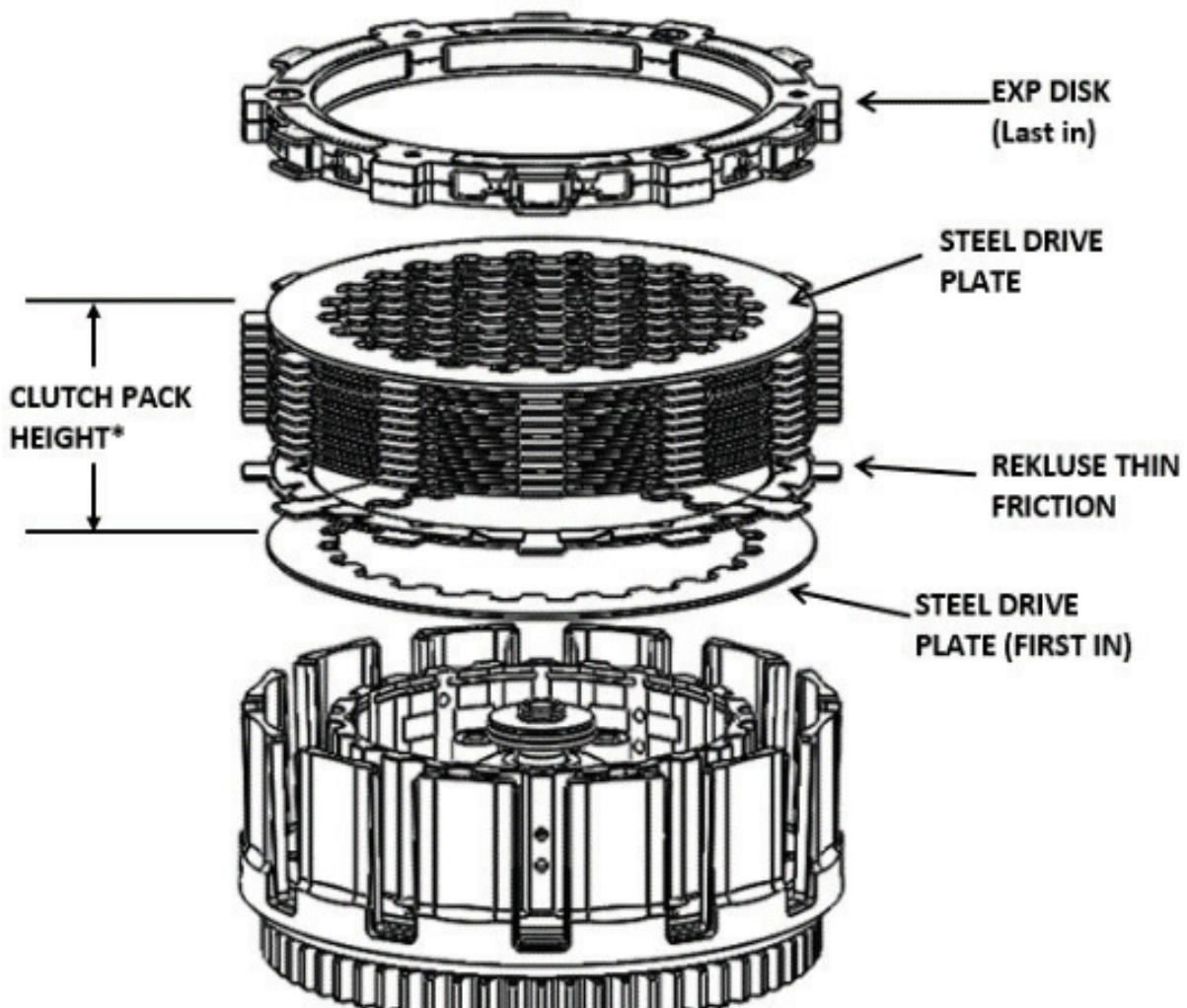


**NOTICE**

*ALL the TEC plates must be aligned in the drive pins notches or damage may occur. The plates will not move when installed correctly.*

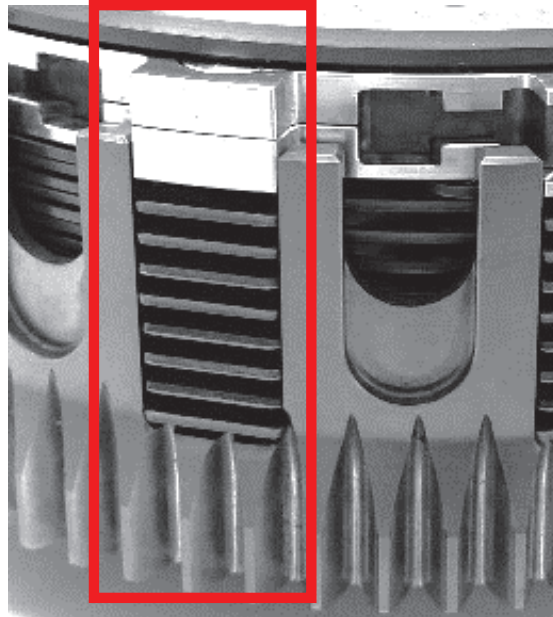
4. On top of the steel drive plate, install a Rekluse friction disk. Continue to alternate steel drive plates and friction disks for the entire clutch pack. *Some friction disks are marked with a small colored dot. This mark is used for processing and can be ignored.*
5. Install the EXP disk on top of the last steel drive plate. Make sure the EXP disk is seated in the main slots along with the clutch pack.

\*Refer to the Setup Sheet included with the clutch kit for the "Clutch Pack Height" specifications.

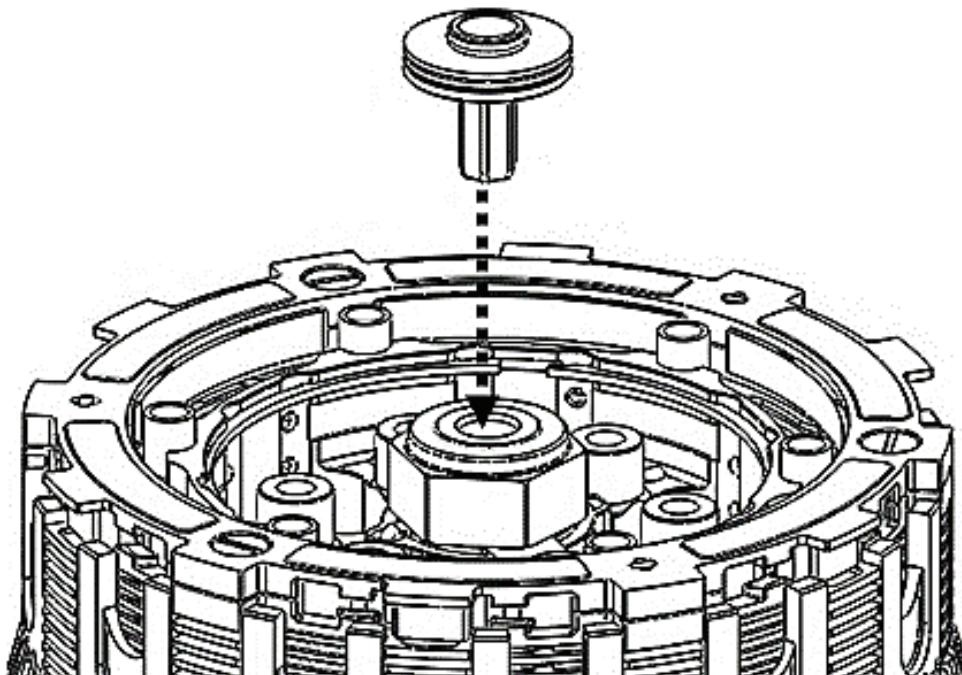


**NOTICE**

Some OE basket have “half slots” at the top of the basket tangs. Rekluse products require that the entire clutch pack, including the EXP disk, be installed into the MAIN (deeper) basket slots.



6. Reinstall the OE throw-out.

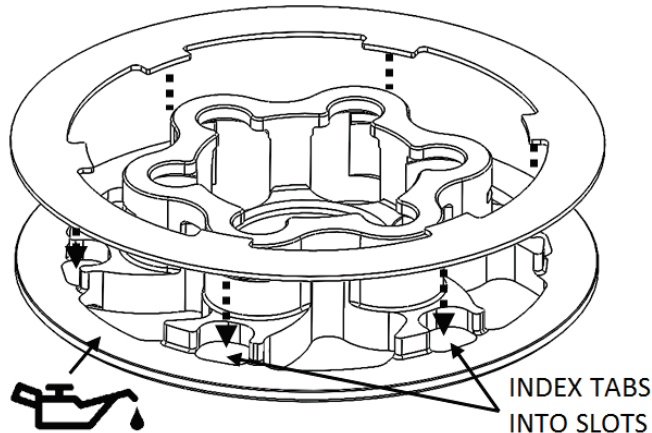


# PRESSURE PLATE INSTALLATION

1. Add a light film of oil between the lining plate and pressure plate. This will help the plates stick together for ease of installation.



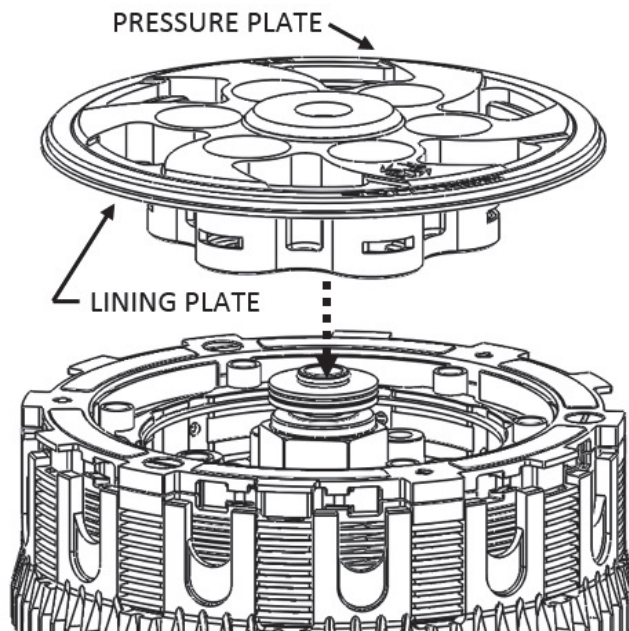
2. Install the supplied lining plate onto the Rekluse pressure plate by lining up the index tabs into the slots.



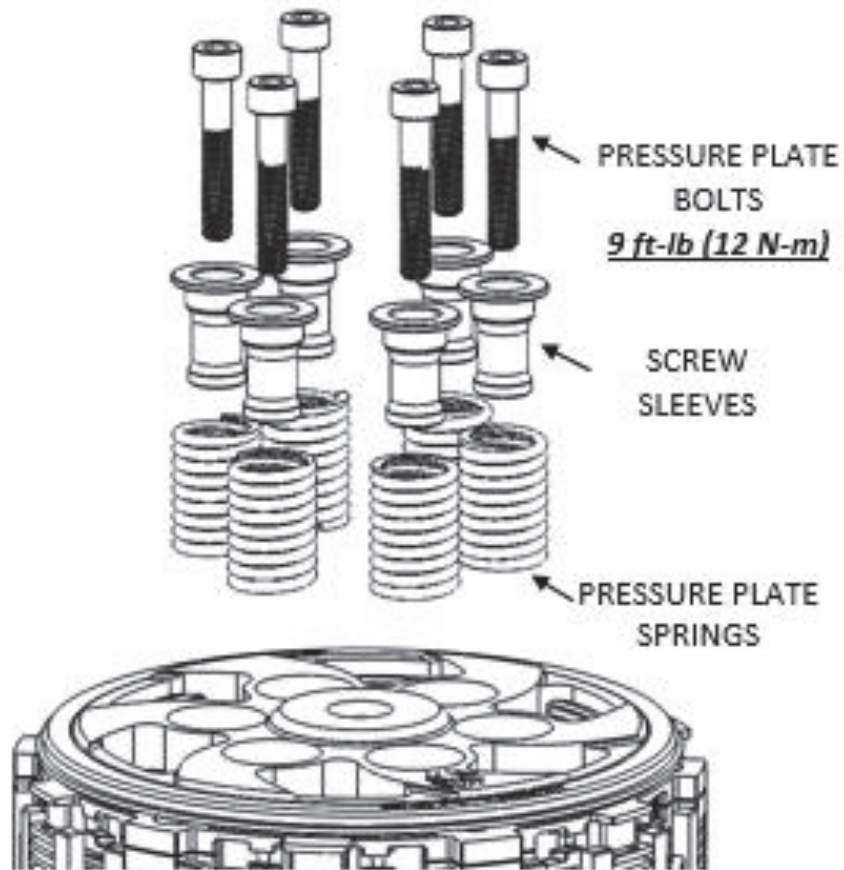
3. Install the pressure plate subassembly.



No Tools Required



- Place the pressure plate springs into the assembled clutch, then insert the screw sleeves into the springs.
- Insert the pressure plate bolts into the screw sleeves.



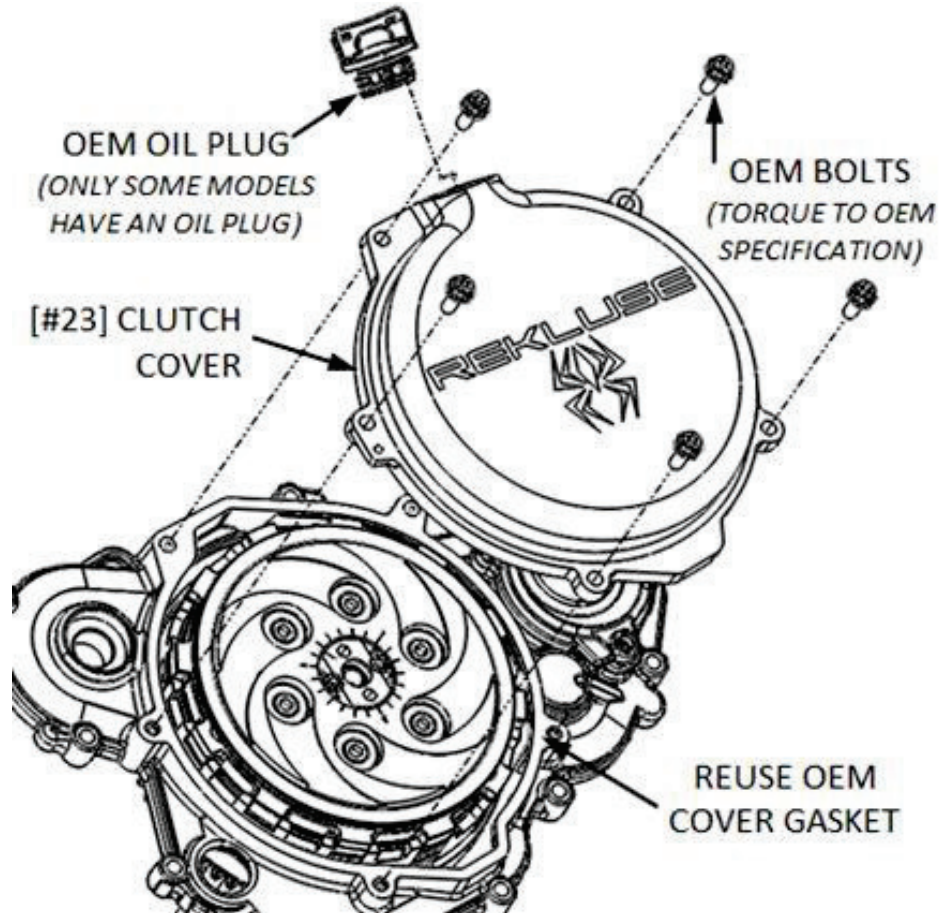
**CAUTION**

*Do not reuse the OE springs, or clutch cover interference will occur!*

- Using a torque wrench, tighten the pressure plate bolts to 9 ft-lb (12-N-m).



7. Install the OE cover gasket onto the Rekluse clutch cover.
8. Install the Rekluse clutch cover by lightly tightening the cover bolts in a star pattern. Tighten bolts in small increments before torquing the cover bolts to OE specifications. If your bike has an oil plug, transfer the OE oil plug to the new Rekluse clutch cover.



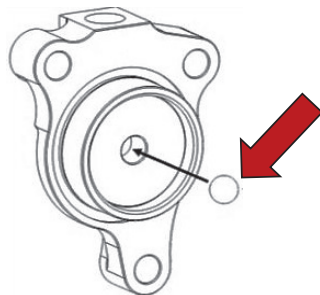


# **SLAVE CYLINDER INSTALLATION**

Installing the new Rekluse slave cylinder takes several steps. Please read the entire section before beginning the process to ensure you have the right equipment and clutch fluid needed for the replacement. Rekluse recommends wearing gloves and safety glasses for the install.

## **⚠ CAUTION**

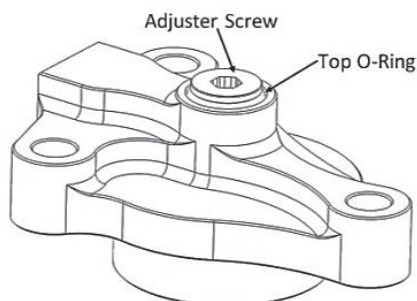
***During the bleed and assembly, note that there is a small ball bearing installed in the slave piston with a small amount of grease. When installing the Rekluse slave cylinder, make sure the ball is in place and has not come loose.***



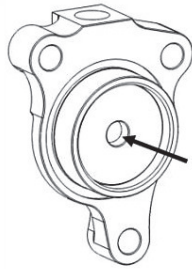
## **Step 1: Bleed the new slave cylinder**

This step prepares the new slave cylinder for installation. Bleed the cylinder on a workbench or an area away from the bike.

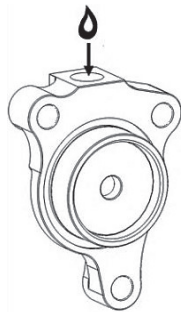
1. Using a 4 mm Allen wrench, turn the adjuster screw counterclockwise so that the top O-ring is visible under the adjuster screw.



2. Use your thumbs to compress the piston until it bottoms out, then release it.



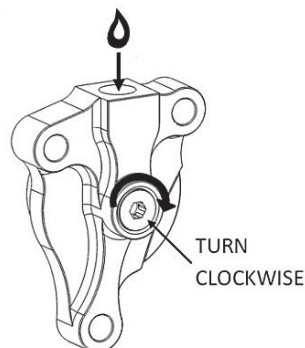
3. Pour the recommended clutch fluid into the slave cylinder port.



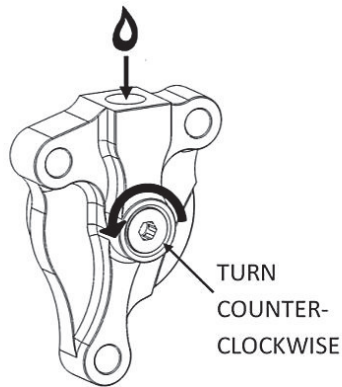
**⚠ CAUTION**

***Be sure to use the correct clutch fluid. Check the cap of the clutch master cylinder to determine which clutch fluid to use. Failure to use the correct fluid will result in seal damage and/or failure.***

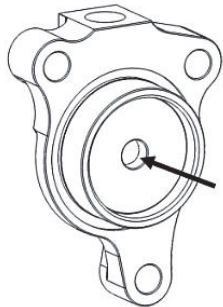
4. Use a 4 mm Allen wrench to turn the adjuster screw clockwise until it bottoms out and the O-ring is no longer visible. Keep the fluid topped off as you go.



5. Use the wrench to turn the adjuster screw counterclockwise back to the initial position, with the top O-ring visible. Keep the fluid topped off as you go.



6. Use your thumbs to compress the piston again until it bottoms out while looking for air bubbles.



**⚠ CAUTION**

***When compressing the piston, fluid can shoot out from the slave cylinder port. Be sure to wear eye protection.***

7. Repeat steps 3 - 6 until there are no air bubbles coming out in the fluid when the piston is compressed.
8. When the bleeding is complete, turn the adjuster screw counterclockwise so that the top O-ring is visible.
9. Compress the piston until it bottoms out, and top off with fluid.

10. Check that the ball bearing is still in place. Stand the Rekluse slave cylinder in an upright position (so that the fluid does not spill) until it is needed in the next step.

## Step 2: Replace OE slave cylinder

In this step, the OE slave cylinder is replaced with the Rekluse slave cylinder. Work quickly when performing the following steps. This method retains the fluid inside the line, and makes the final bleeding step easier.

1. Stand the bike up and lean it on its kickstand, or place it on a suitable bike stand.

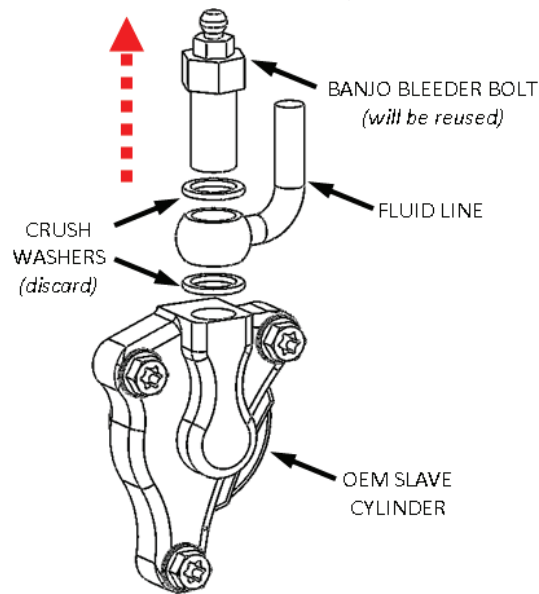


### NOTICE

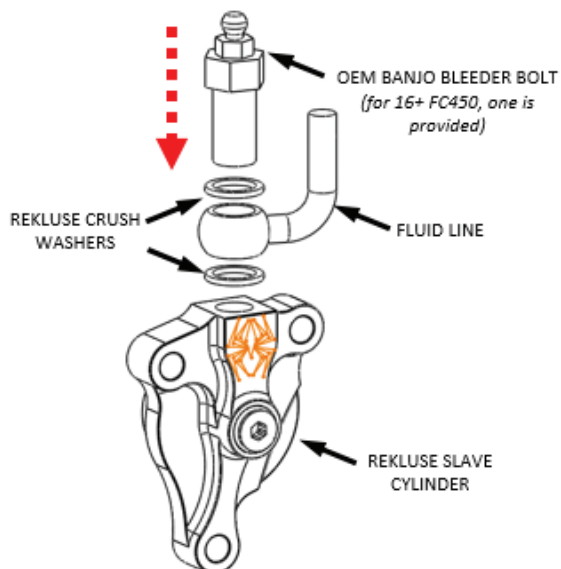
*If you are installing on a 350 Freeride bike model, see the Slave Cylinder Appendix sheet for proper install instructions.*

**2014-2017 250 Freeride owners:** *Insert bleeder bolt into Rekluse slave cylinder in the same orientation as the OE slave cylinder.*

2. On the left side of the bike, while leaving the OE slave cylinder intact on the engine, use a wrench to remove the banjo bleeder bolt from the OE Slave cylinder.



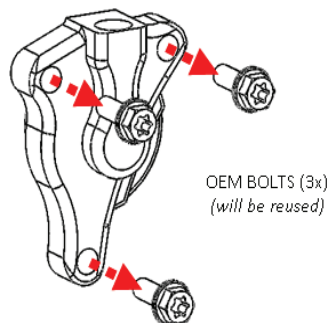
3. Separate the OE slave cylinder from the clutch fluid line.
4. Remove and discard the 2 OE crush washers.
5. Attach the clutch fluid line to the Rekluse slave cylinder using the OE banjo bleeder bolt and the 2 crush washers from Rekluse. Make sure the clutch fluid line is between the 2 crush washers.



## NOTICE

2016 FC450 and 2017+ FC450/501 OWNERS: Use the supplied banjo bleeder bolt in place of the OE banjo bolt. Insert bleeder bolt into Rekluse slave cylinder in the same orientation as it was in the OE slave cylinder

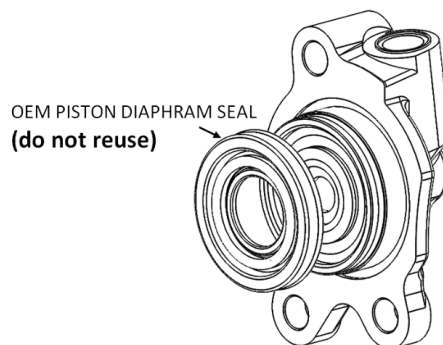
6. Tighten the banjo bolt with your hand until snug. (You will torque it to spec once installed on the bike.)
7. With the clutch fluid line attached to the Rekluse slave cylinder, remove the OE slave cylinder from the engine. Keep the OE bolts for reuse.



8. Mount the Rekluse slave cylinder to the engine using the OE bolts.

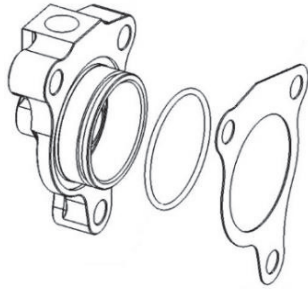
## NOTICE

Some models have a piston diaphragm seal. DO NOT reuse them if OE equipped. The Rekluse slave cylinder does not require a diaphragm seal.



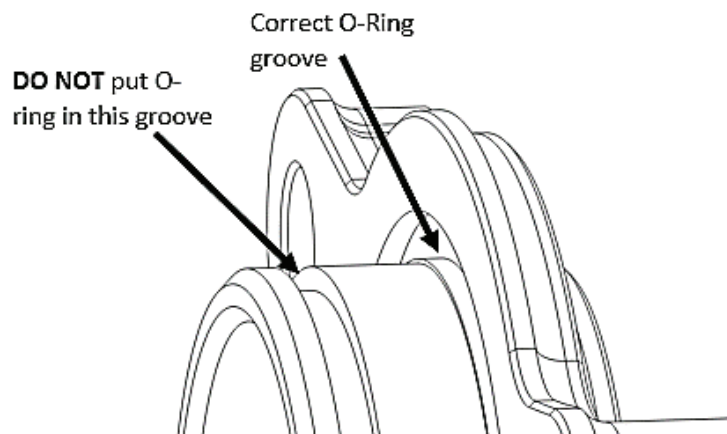
## NOTICE

The Rekluse slave cylinder comes preassembled in the kit. If the parts are separated, assemble them in the following order: Rekluse slave cylinder, O-ring (the one supplied or OE), then the supplied paper gasket. Not all slave cylinders come with a gasket. If not supplied, use the OE gasket.



## NOTICE

If you need to install the case sealing O-ring seal (OE or Rekluse supplied), make sure it is seated against the slave cylinder flange.



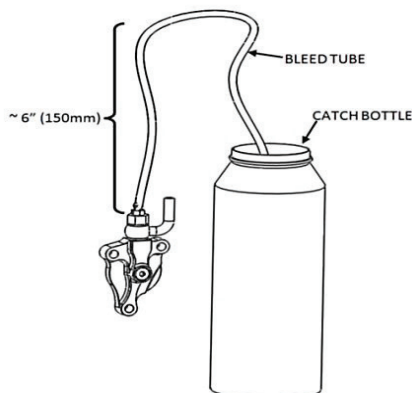
9. Torque the banjo bolt to OE specification.

**Optional:** If you purchased the Rekluse Slave Guard accessory, install it now using the specific instructions included with the slave guard kit.

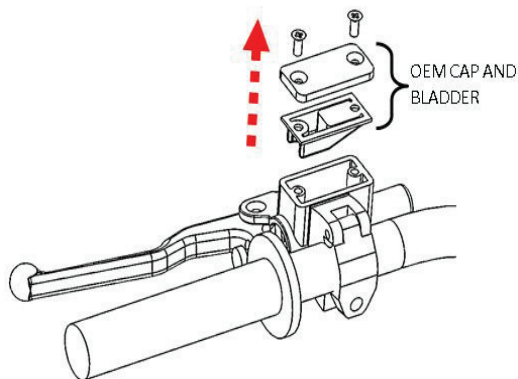


## **BLEED THE CLUTCH LINE**

1. Attach one end of the supplied bleed tube to the banjo bolt port, then loop the opposite end into a suitable catch bottle.

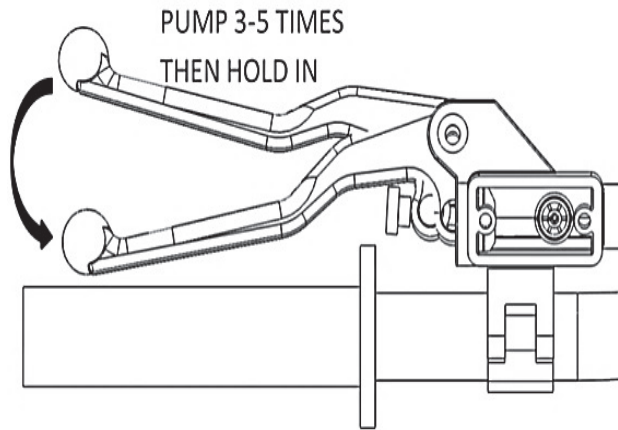


2. On the handlebar, remove the cap and bladder from the clutch master cylinder. Adjust the reservoir so it is level with the ground.

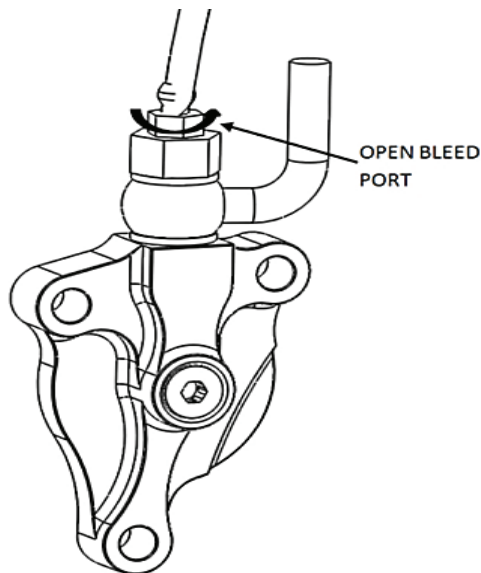




3. Top off the master cylinder with the recommended clutch fluid until it is 75% full.
4. Pump the clutch lever 3 to 5 times, then hold it against the handlebar/grip.

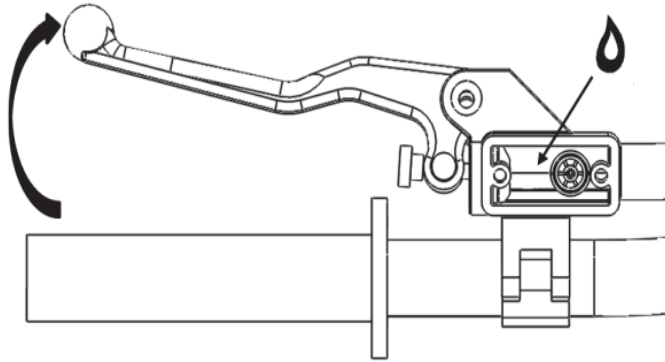


5. While still holding the clutch lever in, use a wrench to open the bleed port. Air and fluid should flow from the bleed tube.



6. Before releasing the clutch lever, tighten the bleed port when the pressure is released from the bleed tube.

7. Slowly release the clutch lever and check the fluid level in the clutch master cylinder. Top off if necessary.



8. Repeat steps 4 - 7 until air no longer comes out of the bleed tube and the clutch feels normal.
9. Check that the clutch master cylinder is 75% full, then replace the cap and bladder.
10. Remove the bleed tube from the bleed bolt and remove the bottle.

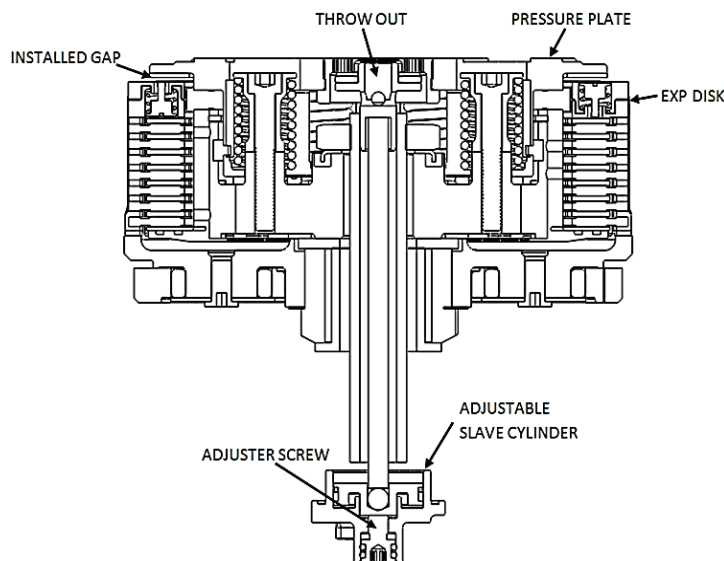
## **SET THE INSTALLED GAP AND VERIFY BY CHECKING FREE PLAY GAIN**

It is very important that you understand how to set the installed gap in your new clutch, and be able to verify the installed gap by checking Free Play Gain.

Setup, break-in, and rechecking the installed gap is **CRUCIAL**. Failure to properly maintain your installed gap can result in premature wear or failure of your clutch.

The “installed gap” is the free space in the clutch pack when the EXP disk is disengaged (collapsed). This gap allows the clutch to spin freely until the engagement RPM is reached and the EXP disk expands to close the gap and apply pressure to the pressure plate, which in turn drives the motorcycle forward.

The installed gap is what allows the auto function of the product to perform properly. Use the following steps to set the installed gap and check the Free Play Gain.



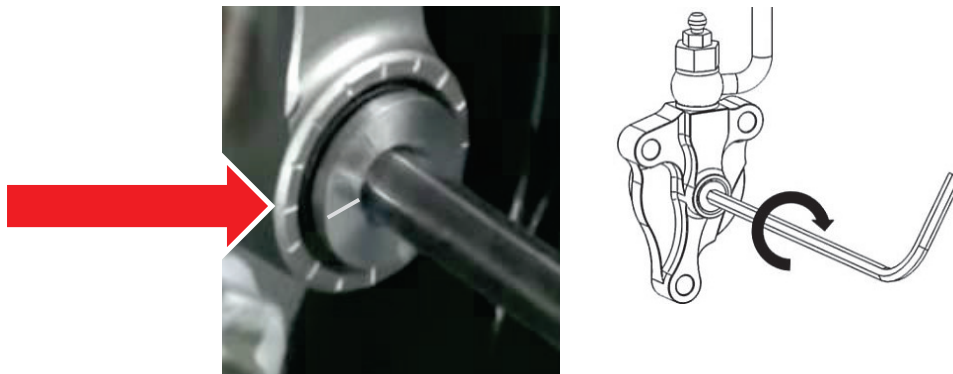
### **⚠ WARNING**

**Failure to check and verify Free Play Gain can cause failure or damage to this product. Setting the correct installed gap is critical for clutch performance.**

Setting the installed gap and checking Free Play Gain is a 4-step process. It is important to follow each step to ensure that your new clutch functions as designed.

### Step 1: Find the starting point

- a) With the bike standing up, locate the adjuster screw in the center of the adjustable slave cylinder.
- b) With the O-ring showing, use a 4 mm Allen wrench to turn the adjuster screw clockwise until it stops under light pressure. This is your “starting point.”



#### NOTICE

*The resistance you feel is where the throw-out begins to lift the pressure plate. Finding the right starting point may take a few tries, but you will feel a noticeable change in turning effort once you reach that point. Stop when you feel the pressure increase. The “starting point” will change as the clutch pack wears over time.*

- c) Once you have found the starting point, note the position of the Allen wrench using the tick marks on the slave cylinder housing and the small etch mark located on the screw. You will begin here to adjust the installed gap.



Use the tick marks on the cylinder and the etch mark on the screw to remember the starting point for adjusting the gap.

d) Use a 4 mm Allen wrench to turn the adjuster screw clockwise 1 full turn + 2 tick marks from your starting point. **This may NOT be your final setting**, but it is a beginning adjustment for finding the correct setting.

e) Continue with Step 2 to check for Free Play Gain.

### **⚠ CAUTION**

***Do not ride your bike without the adjusting the installed gap. You will not be able to disengage the clutch until you set the installed gap.***

## **Step 2: Learn how to check Free Play Gain**

Feeling Free Play Gain with the beginning adjustment to the slave cylinder aids in learning to recognize Free Play Gain.

If you are familiar with Free Play Gain, you can skip to Step 3 -“Break-in the new clutch.” If Free Play Gain is new to you, follow the instructions below to help you learn this important step. You can also view the video entitled “How to Check Free Play Gain” on our website at [www.rekluse.com/support/videos](http://www.rekluse.com/support/videos).

Free Play Gain is different from the “normal” free play you are used to with your stock clutch. With the Rekluse auto clutch, Free Play Gain is the result of the EXP disk expanding and lifting the pressure plate to engage the clutch.

Free Play Gain happens when the engine’s RPM increases from idle to above approximately 5,000 RPM and the EXP closes the installed

gap. The amount of Free Play Gain you feel in the lever corresponds to the amount the pressure plate has been lifted by the EXP disk expansion.

Checking Free Play Gain allows you to externally monitor the installed gap so you can know when to make an adjustment if the installed gap is too large or too small.

The correct installed gap is verified by observing and feeling the increased free play movement in the clutch lever. This extra movement is called “Free Play Gain.”



If there is too much Free Play Gain, the installed gap is too small. The bike may drag and stall because it has difficulty disengaging the clutch. It may also be difficult to shift. Too much Free Play Gain will not hurt the clutch, but it will negatively affect clutch performance.

With too little or no Free Play Gain, the installed gap is too large. This means when the EXP is fully expanded it does not lift the pressure plate. The clutch may slip and make the bike seem like it is losing power. The bike may not move forward even though the engine RPM increases as if the clutch lever is slightly pulled. Too little Free Play Gain will cause the clutch system to burn up.

Optimal Free Play Gain yields 1/8” (3 mm) of clutch lever movement, measured at the ball end of the lever. This measurement at the lever correlates to achieving the ideal installed gap.

## Two Ways to Check for Free Play Gain

The following steps explain **2 ways** to check Free Play Gain. One way uses the rubber band Rekluse includes in the clutch kit, and one uses your hand. You can use either method to check for Free Play Gain.

Rekluse recommends that you begin with the rubber band method first to check for Free Play Gain and then learn the hand method. The rubber band will help you learn how to recognize Free Play Gain until you are comfortable with the hand method. Learning to check Free Play Gain by hand effectively and comfortably can make it easy to check Free Play Gain every time you ride.

### The Rubber Band Method

Use the rubber band method for the initial set up. It can also be used before each ride until you feel comfortable checking the Free Play Gain using the hand method.

#### **⚠ WARNING**

**BEFORE YOU BEGIN, verify that the bike is in NEUTRAL before checking Free Play Gain. Failure to do so may result in the bike lurching forward, and loss of control and/or injury may result.**

**A Rekluse auto-clutch can make your motorcycle appear to be in neutral when in gear, even when the engine is running and clutch lever released.**

**Motorcycles equipped with a Rekluse auto-clutch can move suddenly and unexpectedly and cause riders to lose control. To avoid death, serious injury, and/or property damage, always sit on the motorcycle to start it.**

- a) Before you begin, place the bike in **NEUTRAL**, start the engine and let it warm up for 2-3 minutes to idle down and warm the engine oil.

- b) Stretch the included rubber band between your thumbs, then place the top end of the rubber band on the outer end of the left handlebar grip.



- c) While holding the top end of the rubber band against the handlebar, stretch the band downward, then loop it through itself.

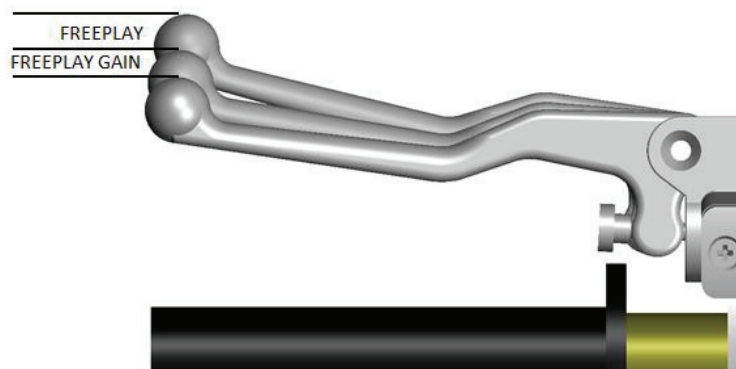




- d) Pull the band through the loop, then attach it to the outside end of the clutch lever. This will take up the initial free play (slack) and put the lever in a position to detect the Free Play Gain.



- e) While still in **NEUTRAL**, quickly rev the engine between 5,000-7,000 RPM (1/2 to 3/4 throttle), then let it return to idle. Notice the movement in the clutch lever when the engine is revved. This is your Free Play Gain.



**NOTICE**

*It is very important the motor returns to idle before revving the engine again or Free Play Gain will not be correct.*

- f) When the bike returns to idle, rest your hand across the clutch lever. Rev the engine again to 5,000-7,000 RPM so you can observe the movement while feeling for Free Play Gain with your hand.

### **The Hand Method**

Use the hand method to check Free Play Gain before the start of every ride for optimum performance and longevity of your new clutch.

#### **⚠ WARNING**

**BEFORE YOU BEGIN, verify that the bike is in NEUTRAL before checking Free Play Gain. Failure to do so may result in the bike lurching forward, and loss of control and/or injury may result.**

**A Rekluse auto-clutch can make your motorcycle appear to be in neutral when in gear, even when the engine is running and clutch lever released.**

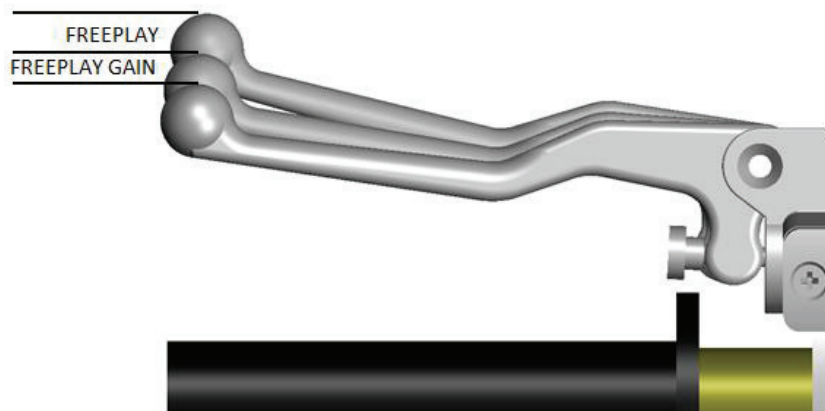
**Motorcycles equipped with a Rekluse auto-clutch can move suddenly and unexpectedly and cause riders to lose control. To avoid death, serious injury, and/or property damage, always sit on the motorcycle to start it.**

- a) Before you begin, place the bike in **NEUTRAL**, start the engine and let it warm up for 2-3 minutes to idle down and warm up the engine oil.

- b) With the bike at idle, apply enough pressure to the clutch lever to take up the initial free play (slack) in the clutch lever.



- c) While still in **NEUTRAL**, continue to apply light pressure and quickly rev the engine between 5,000-7,000 RPM (1/2 to 3/4 throttle), then let it return to idle. Notice the movement in the clutch lever when the engine is revved. This is your Free Play Gain.



- d) When the bike returns to idle, rev the engine between 5,000-7,000 RPM a second time to feel the Free Play Gain again.
- e) Continue with Step 3 to break-in the new clutch.

## NOTICE

The lever may move more than 1/8" (3 mm) toward the handle when the engine is revved because there is too much Free Play Gain (movement of the clutch lever). This changes as you adjust the installed gap.

### Step 3: Break-in the new clutch

Once you install your new clutch, it is important to break it in. A series of roll-on starts are used to break in the clutch. Follow these procedures for breaking in your clutch and any time new friction disks, EXP bases, Teflon pads, or wedges are installed.

### ⚠ WARNING

Failure to follow the break-in procedure and oil screen inspection process could cause motor oil delivery failure which can result in motor failure, serious injury, or death.

Break-in Procedure	Number of times
<p><b>Rev Cycles:</b></p> <ol style="list-style-type: none"><li>1. Place the bike in <b>NEUTRAL</b>.</li><li>2. With your hand <b>off</b> the clutch lever, rev the engine 10 times, being sure to let it <b>return to idle</b> between each rev cycle.</li></ol> <p>① <b>N</b> ② ③ ④ ⑤</p>	10 rev cycles

3. With the engine still running, pull in the clutch lever, then click the bike into 1<sup>st</sup> gear. Slowly release the clutch lever. The bike should stay in place or have a slight amount of forward creep.



4. With the bike idling in first gear, slowly apply throttle to begin moving.
5. Without using the clutch lever, accelerate moderately to approximately 5,000 RPM to fully lock up the clutch and come to a complete stop. Repeat 10 times.

**NOTICE**

*If the engine wants to stall or the creep is excessive, the idle may be too high or the installed gap may be too small. Make necessary adjustments before proceeding.*

10 roll-on starts

6. Without using the clutch lever, start in 2<sup>nd</sup> gear, then accelerate moderately to approximately 5,000 RPM and come to a complete stop. Repeat 10 times.



10 roll-on starts

7. Place the bike in **NEUTRAL** and recheck Free Play Gain.

8. Continue to step 4 to adjust the installed gap until the Free Play Gain of the clutch lever is 1/8" (3 mm).



**NOTICE**

*Your clutch pack will expand with heat, so final adjustment to Free Play Gain should be made when the bike is warm. Remember not to ride without sufficient Free Play Gain.*

Recheck Free Play Gain and adjust the installed gap

**CAUTION**

**Do not perform 3<sup>rd</sup> gear starts with this product. Starting in 3<sup>rd</sup> gear will burn up the clutch and decrease the performance of this product in a short amount of time.**

### Step 4: Adjust the installed gap and Recheck Free Play Gain

Once you have learned how to check Free Play Gain, you need to finish adjusting the installed gap, then recheck the Free Play Gain until the clutch lever moves only 1/8" (3 mm). The gap is adjusted by turning the slave cylinder screw.

- a) With the bike running and in **NEUTRAL**, locate the adjuster screw in the center of the adjustable slave cylinder.
- b) Use a 4 mm Allen wrench to turn the adjuster screw clockwise 1 tick mark from the last setting, then recheck Free Play Gain.



Tick marks are located on the slave cylinder, and an etch mark is on the screw. If you need to re-position the Allen wrench, you can use these marks for reference.

- c) Continue to adjust the slave cylinder 1 tick mark at a time until optimal Free Play Gain is achieved.
- d) Refer to the following pictures and chart in the next section for additional adjustment information.
- e) The Free Play Gain will change as the clutch pack wears over time.
- f) Checking the Free Play Gain is easy and indicates when the install gap needs adjusting.

# **FREE PLAY GAIN ADJUSTMENTS**

Make each adjustment in small increments - one tick mark at a time. After each adjustment, recheck Free Play Gain until you achieve the optimal 1/8" (3 mm) of clutch lever movement.



Symptom	Reason	Solution
<ul style="list-style-type: none"> <li>• Clutch lever moves in too far (too much Free Play Gain)</li> <li>• Clutch has excessive drag or stalls</li> <li>• It is difficult to fully override the clutch with the lever</li> </ul>	<p>Installed gap is too small</p>	<p>Turn the adjuster screw clockwise 1-2 marks to increase the installed gap and decrease Free Play Gain. Recheck Free Play Gain.</p>
<ul style="list-style-type: none"> <li>• Clutch lever only moves slightly or does not move at all (too little Free Play Gain)</li> <li>• Clutch slips</li> <li>• Bike seems to lose power</li> </ul>	<p>Installed gap is too large</p>	<p>Turn the adjuster screw counterclockwise 1-2 marks to reduce the installed gap and increase Free Play Gain. Recheck Free Play Gain.</p>



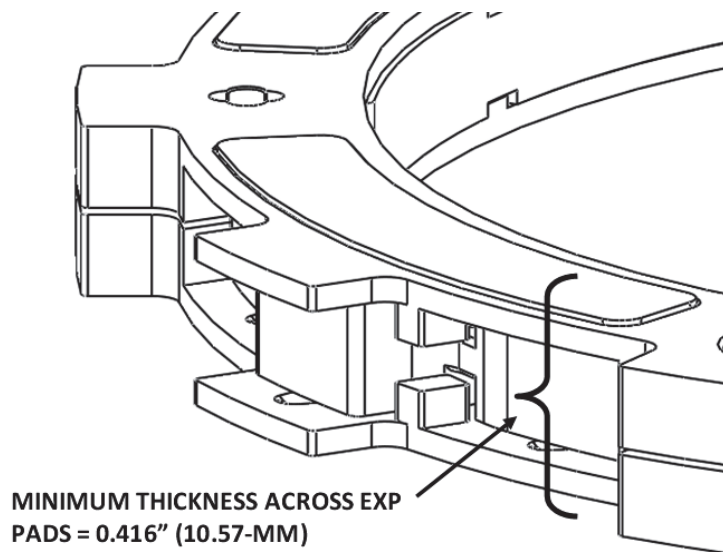
## **MAINTENANCE**

To keep your clutch performing at its best, perform regular maintenance on your bike and clutch.

- Keep up with regular oil changes as per the bike manufacturer's recommendations. Clutch performance and longevity depend on oil quality. Oil recommendations can also be viewed under Tech Tips on our website at [www.rekluse.com/support/videos/atv-mc-support-videos](http://www.rekluse.com/support/videos/atv-mc-support-videos).
- Inspect all of your clutch parts for signs of wear or excessive heat, and replace components as necessary. Clutch wear is dependent on the riders use.

<b>Maintenance Protocol</b>	<b>Maintenance Intervals</b>
Check and verify Free Play Gain	Every ride
Inspect all clutch parts for excessive wear or heat. Replace as needed.	Refer to OE service manual

- The OE spring ring can be optimized based on the wear and height of the clutch pack. See the attached Setup Sheet for the spring ring optimization table to adjust the spring ring.
- Measuring the clutch pack and/or the EXP disk can help determine if the components need replacing. See the Setup Sheet for the specific clutch pack measurements.

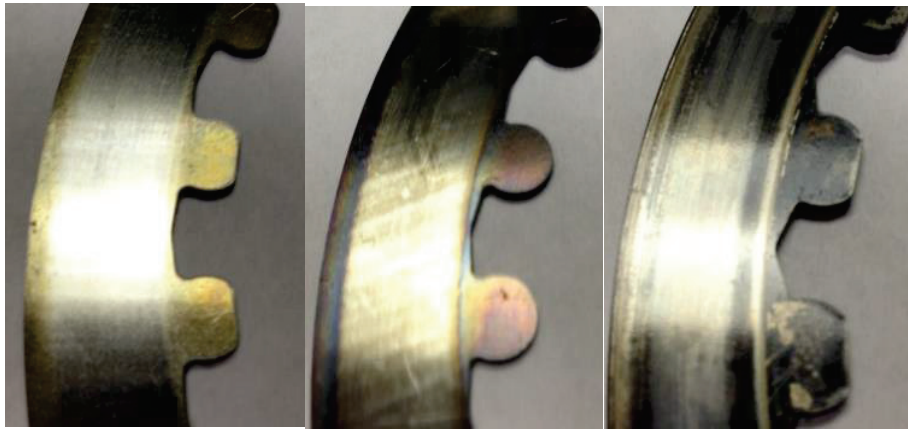


- Inspect the dampers, and replace them if you feel any movement between the two hubs. Refer to the section on inspecting the dampers for more information.
- Maintain adequate Free Play Gain. Check before every ride and adjust if necessary.
- Repeat the break-in procedure anytime you replace the EXP bases, Teflon pads, EXP wedges, or frictions disks. Always soak friction disks or EXP bases in oil for at least 5 minutes before installing.
- Replace friction disks if they measure below specifications listed on the attached Setup Sheet or if the disks are glazed and/or burnt.
- Replace the drive plates if they show signs of excessive heat.

## Disk inspection examples

When inspecting the clutch pack, the following pictures can be used as a reference. **These are best viewed in color by viewing this install document from [www.rekluse.com/support](http://www.rekluse.com/support).**

**Drive Plates** – If the clutch pack is getting high amounts of heat, purple, blue, or black color can be seen on the drive plate teeth. See pictures below. Not all drive plates look the same and may look different than pictured.

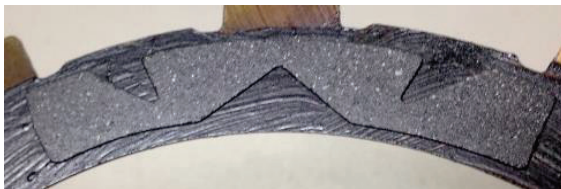


Normal Heat

High Heat  
(Blue)

Excessive Heat  
(Black)

**Friction Disks** – Due to the dark color of the friction material, the friction disks will appear almost black as soon as they are put in oil. During inspection, look for glazing of the friction material. Glazing will appear shiny and feel like glass, even after oil is cleaned from the friction disk. Not all friction disks look the same and may look different than pictured.



Normal  
Friction



Glazed  
Friction

# **TROUBLESHOOTING**

## **Performance issues**

If you find yourself adjusting the slave cylinder to fix Free Play Gain or drag, the clutch disks might be worn. Excessive heat or clutch slip can cause premature clutch failure as well. Once extreme temperatures are reached, irreversible damage will occur.

- Inspect all of your clutch parts for signs of wear or excessive heat, and replace components as necessary. Clutch wear is dependent on the riders use.
- Measuring the clutch pack and/or the EXP disk can help determine if the components need replacing. See the attached Setup Sheet for the specific clutch pack measurements.

## **Clutch noise**

Although it is harmless, some bike models may have “squeal” or “chatter” coming from the clutch at low RPM as it engages. Clutch squeal is caused by the clutch components vibrating as the clutch engages and can become more audible as the clutch gets hot. Adjusting the installed gap will NOT affect clutch squeal or chatter.

For bike models that have clutch squeal or chatter here are some recommendations to reduce or eliminate it:

- Change the oil: For optimal clutch performance Rekluse recommends using fresh, clean oil that **meets JASO-MA** oil rating requirements. Dirty or old oil can make the clutch more likely to squeal or chatter.

## **EXP TUNING OPTIONS**

Adjusting the engine idle speed to match your engagement setting is important and greatly affects the overall feel of how the EXP disk engages. To prevent freewheeling and maximize engine braking, set the idle so there is a slight amount of drag while the bike is idling in

gear and warmed up. The idle should not be so high as to move the bike forward in gear with the throttle closed. However, with a small opening of the throttle the bike should move forward.

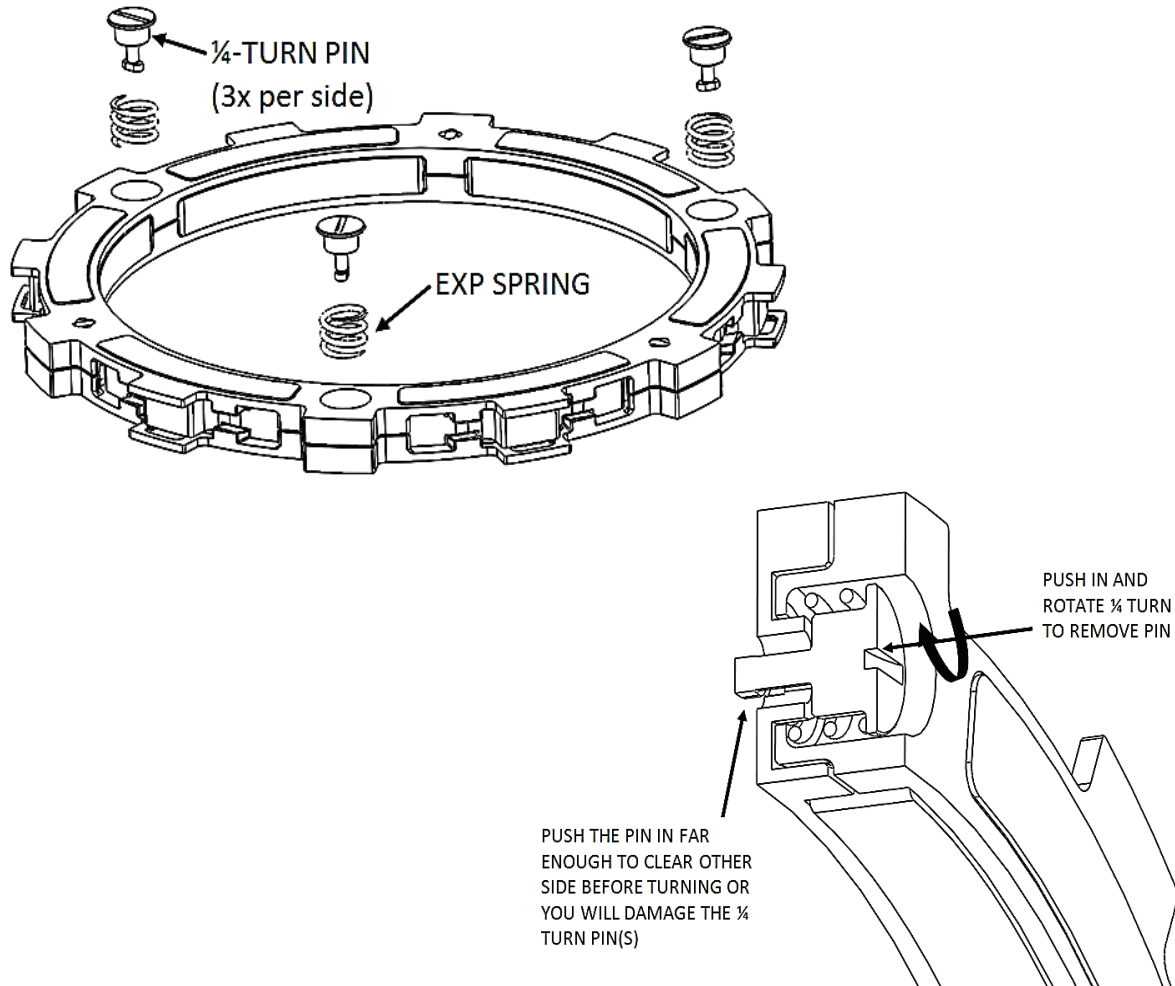
You can tune the engagement RPM of the EXP disk by changing the spring configuration. The EXP disk comes set with the recommended “**Medium**” setting from Rekluse. Use the following steps to change the springs. It is **NOT necessary** to disassemble the EXP halves to change springs!

### Changing the springs

1. Using a flat-blade screwdriver, push the ¼ turn pin in far enough to clear the opposite side of the EXP to unlock the pin.
2. With the pin still pushed past the base, turn 90° to remove the pin and spring.
3. Remove the remaining 2 pins and springs from the same side of the EXP base.
4. Drop a new spring into the spring slot on the base, then add the ¼ turn pin.
5. Push the turn pin in far enough to clear the base, then turn 90° and release the pin. The pin should sit almost flush with the EXP base.
6. Flip the EXP friction disk over, and repeat on the other side depending on engagement preference.
7. If you need to disassemble the EXP disk, you can watch the video on our website under Tech Tips at [www.rekluse.com/support/videos/atv-mc-support-videos](http://www.rekluse.com/support/videos/atv-mc-support-videos).

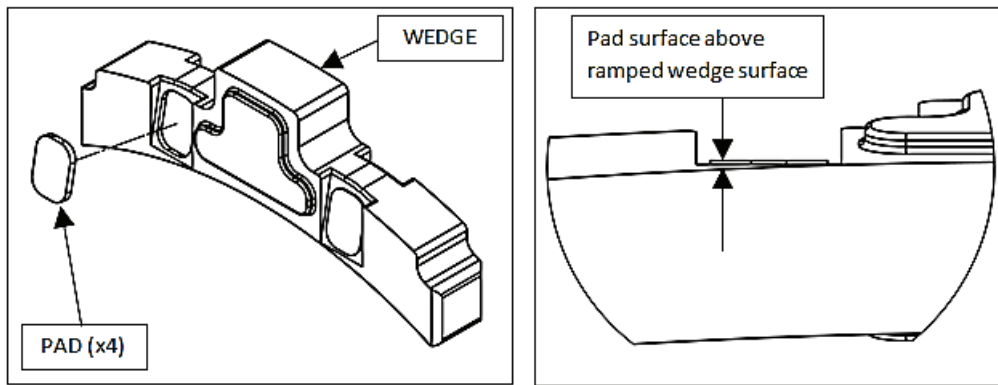
## NOTICE

To maintain even pressure, when using two different color spring sets, install one set of 3 on one side of the EXP and the remaining set of 3 on the other side.



## CAUTION

**If you disassemble the EXP, the Teflon pads may fall out or be stuck to the ramp surfaces of the EXP bases. Take care to ensure all pads are correctly placed into wedge pockets using gentle pressure to avoid damage to the pad surfaces before reassembling the EXP. Properly seated pads will be secured in place once the EXP is reassembled. Operating the clutch without the pads in place will cause part damage or failure.**



## Configuration chart

ENGAGEMENT SETTING	SPRING CONFIGURATION	
	350SX-F/XC-F	All Others
Low	6 Silver	3 Silver & 3 Red
Medium	3 Red & 3 Silver	6 Red
Medium High	6 Red	NA
High	3 Red & 3 Blue	3 Red & 3 Blue

## **BUMP-STARTING**

If your bike needs to be bump-started due to a dead battery or any other reason, follow the steps below to quickly bump-start your bike.

1. Turn the adjustable slave cylinder counterclockwise to collapse the gap until no resistance is felt.
2. Bump start the bike. The clutch will function like a manual clutch at this point, but the clutch will not be fully over-ridable at high RPMs.
3. Once the bike is started, readjust the installed gap.

# **NEED ADDITIONAL HELP?**

## **Website**

[www.rekluse.com/support](http://www.rekluse.com/support)

## **Frequently asked questions**

[www.rekluse.com/faq](http://www.rekluse.com/faq)

## **Support Videos**

[www.rekluse.com/support/videos](http://www.rekluse.com/support/videos)

## **Phone**

(208) 426-0659

## **Technical Support**

Contact Technical Support for questions related to product installation, tuning, and performance.

Technical Support hours:

Monday thru Friday: 8:00 a.m. - 5:00 p.m.  
Mountain Time zone

Email: [tech@rekluse.com](mailto:tech@rekluse.com)

## **Customer Service**

Contact Customer Service for additional product information, orders, and returns.

Customer Service hours:

Monday thru Friday: 8:00 a.m. - 5:00 p.m.  
Mountain Time zone

Email: [customerservice@rekluse.com](mailto:customerservice@rekluse.com)





## Auto Clutch TROUBLESHOOTING GUIDE

### Rekluse Troubleshooting Guide Terms

**Free Play Gain** – The additional movement of the clutch lever under slight pressure as the RPMs are raised from idle to approximately 5000 RPM. Free Play Gain should only be checked in neutral as per the instructions.

**Worn Friction Plates** – Will be thinner than the factory spec

**Overheated Friction Plates** – Sometimes referred to as glazed. Most of the time measure within spec, but the surface will look darker than new and the friction surface will be smooth like glass. The steel drive plates will also show signs of bluing or darkness

**Squeal** – Chirping noise under acceleration, or take off

**Chatter/Shutter** – Vibration or surge under acceleration as the clutch engages

**Drag** – When stopped or idling in gear, the bike will try pulling, or on a stand the wheel will spin

**Chain Slap** – Drag at idle, in gear, causing the chain to slap noisily against the swing arm

**Low RPM Slip** – Considered engagement slip and will make the initial clutch engagement soft

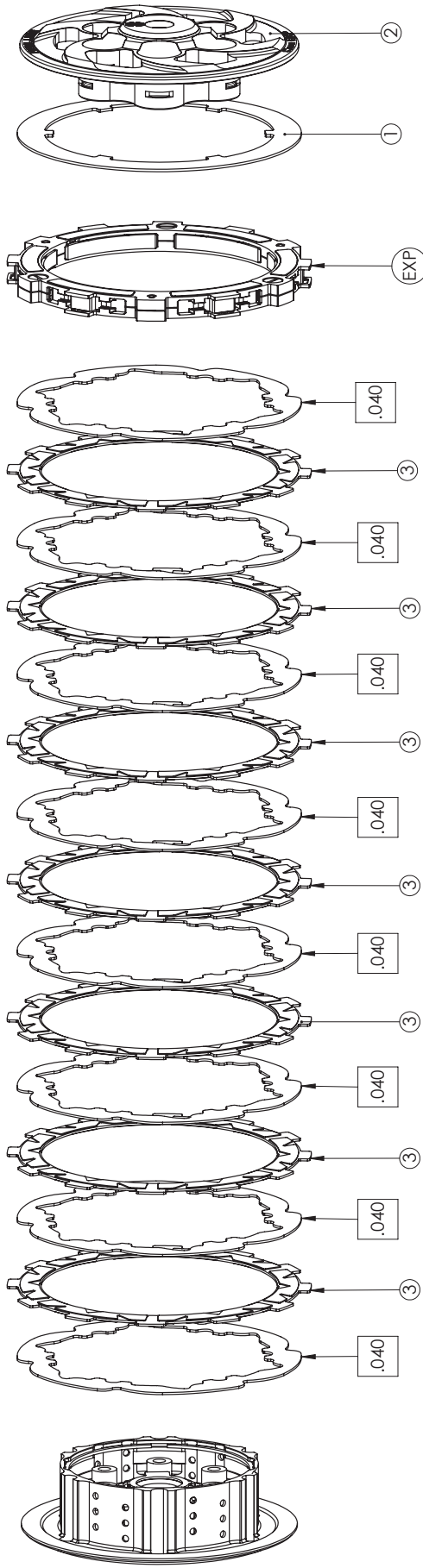
**High RPM Slip** – Occurs above half throttle while accelerating, as the engine RPMs raise little or no power is transmitted to the rear wheel resulting in a loss of forward drive causing excessive clutch heat

**\*Rekluse troubleshooting chart located on back of this page\***

**Note:** The “possible fixes” contained in the chart below are listed in the order of things to try first for each “symptom”

<b>Core EXP 3.0 &amp; EXP 3.0 Troubleshooting Chart</b>		
<b>Symptom</b>	<b>Possible Cause</b>	<b>Possible Fix</b>
Drag or Stalling	Clutch break-in	Complete the recommended clutch break-in
	Transmission oil	Change the oil if it's not a clean high quality JASO MA certified oil
	Excessive “Free Play Gain”	Re-adjust the installed gap and re-check “Free Play Gain”
	Center clutch nut too tight	Re-torque the center clutch nut if it is binding when spun in neutral
	EXP engagement adjustment	Change the EXP setting to a higher engagement setting
	Worn or glazed friction disks	Replace friction disks (Rekluse or OEM disks recommended)
Low RPM slip	No “Free Play Gain”	Re-adjust the installed gap and re-check “Free Play Gain”
	Modified motor	Replace wedges with a heavier set if slightly modified
		If running Core EXP - Replace the pressure plate springs with a heavier set if highly modified
		If running EXP – upgrading to Core EXP is recommended
	Worn or glazed friction disks	Replace friction disks (Rekluse or OEM disks recommended)
Tall Bike gearing	Replace wedges with a heavier set if the gearing is taller than stock	
High RPM slip	No “Free Play Gain”	Re-adjust the installed gap and re-check “Free Play Gain”
	Modified motor	If running Core EXP - Replace the pressure plate springs with a heavier set if highly modified
		If running EXP – upgrading to Core EXP is recommended
	Pressure plate springs	Be sure the Rekluse springs are being used
		Inspect the springs, if they are out of spec replace
Worn or glazed friction disks	Replace frictions disks (Rekluse or OEM disks recommended)	
Squeal or Chatter	Transmission oil	Change the oil if it's not clean high quality JASO MA certified oil. Over-used oil may cause squeal or chatter
	Clutch basket	Replace the basket and/or cushions if they are worn (Rekluse basket recommended if available for your model)
		The Rekluse basket is known to eliminate most squeal or chatter, even if no wear is present (Not available for all models)
No clutch override	Excessive “Free Play Gain”	Re-adjust the installed gap and re-check “Free Play Gain”
Chain Slap	Adjust idle	Adjust idle closer to the engagement point of the clutch so there is less delay in clutch engagement
	EXP engagement setting	Raise the EXP engagement setting and adjust the idle accordingly

# SETUP SHEET 198-7913081



ITEM NO.	DESCRIPTION	QTY.
1	LINING PLATE [.048"/1.2mm THICK]	1
2	PRESSURE PLATE	1
EXP	EXP DISK	1
.040	TEC DRIVE PLATE [.040"/1mm THICK]	8
3	FRICITION DISC - K350 TORQ-DRIVE	7

