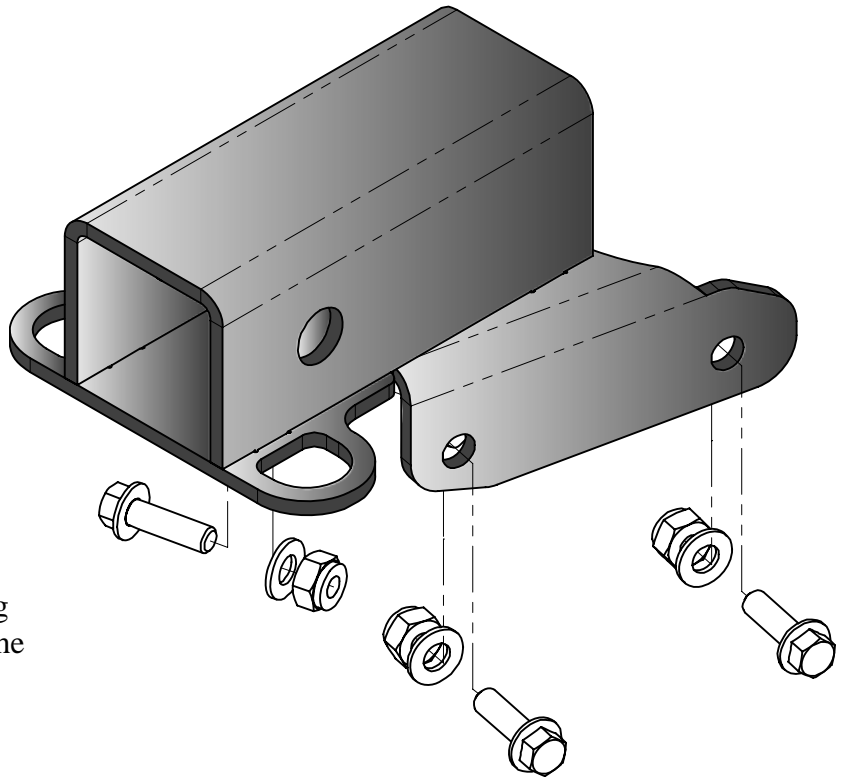


# Can-Am Receiver Hitch Adapter

2" Receiver                      PART # 100745

**Kit Components:**

<u>Qty</u>	<u>Part Description</u>
1.....	2" Receiver
4.....	3/8" x 1" Hex Head Flange Bolts
4.....	3/8" SAE Flat Washers
4.....	3/8" Flanged Lock Nut
1.....	Flat Head Screw (NOT USED)



## INSTALLATION INSTRUCTIONS:

1. Place the Receiver Hitch on top of the location shown below and assemble using the included 3/8" hardware as shown in the exploded view.

