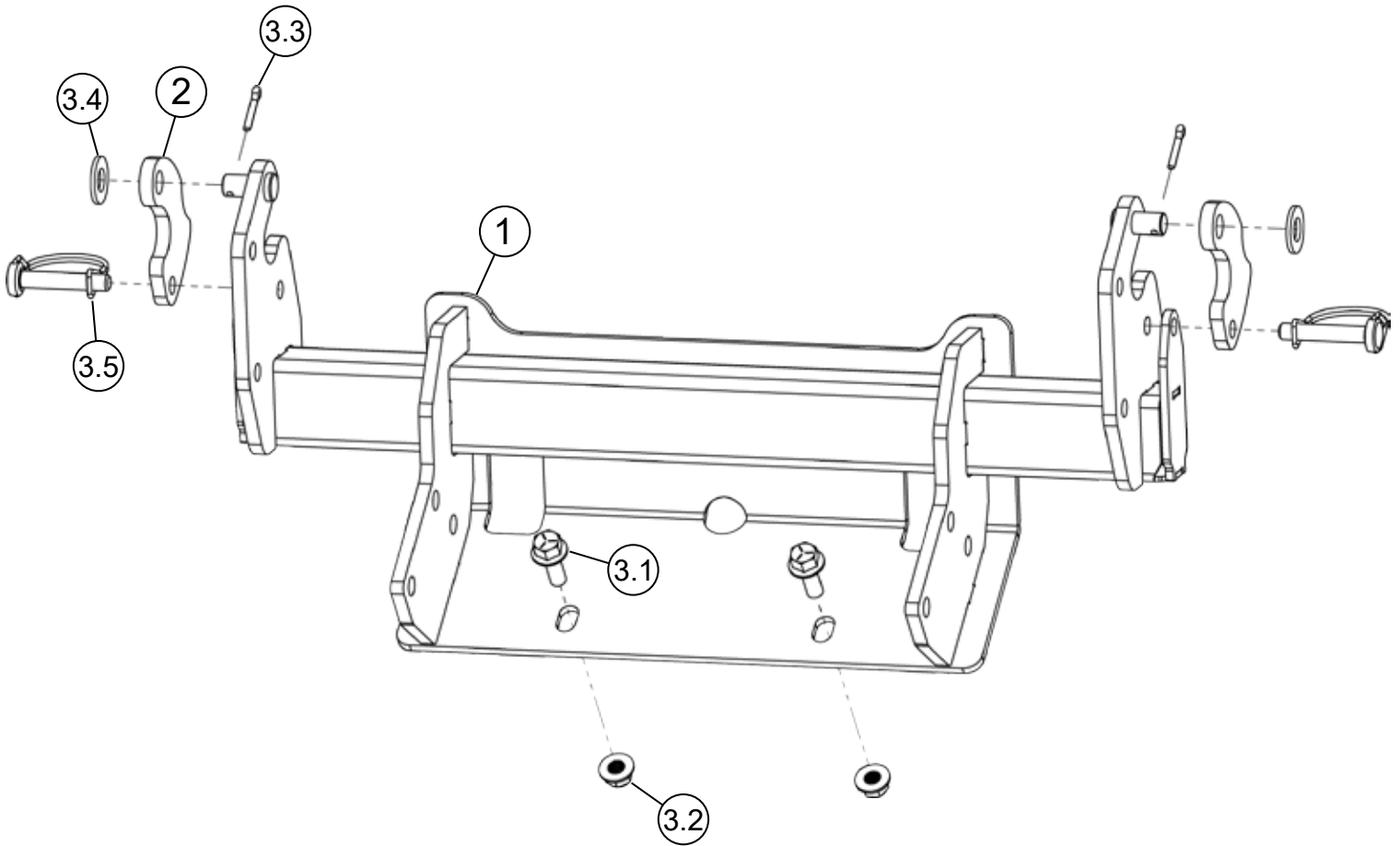


POLARIS RANGER

Plow Mount

PART #106345



Item #	Qty.	Description
1	1	Plow Mount
2	2	Plow Adapter Catch
3	1	Hardware Kit (HK-407)
3.1	2	3/8"-16 x 1.00 Hex Flange Bolt

Item #	Qty.	Description
3.2	2	3/8"-16 Hex Flange Nylock Nut
3.3	2	5/32" x .75 Cotter Pin
3.4	2	1/2" Flat Washer
3.5	2	3/8" Safety Pin



INSTALLATION INSTRUCTIONS

NOTE: Make sure all hardware needed to complete this mount is in the package. Thoroughly read through and understand the instructions before installing.

NOTE: If pin attachment brackets have not yet been installed, skip to step 2.

1. Remove the existing pin attachment brackets (A) and hardware (B) as shown in **Figure 1**. **NOTE:** Hardware (B) will be reused in a later step.
2. Set plow mount (1) in place of pin attachment brackets (A) and fasten to push tubes using hardware (B), bolts (3.1) and nuts (3.2) as shown in **Figure 2 & 3**. **(Torque to 31 LB-FT)** **NOTE:** Refer to push tube manual for hardware (B).
3. Assemble plow adapter catch (2) to plow mount (1) using washer (3.4) and pin (3.3) as shown in **Figure 4**.
4. Using OEM mounting pins (C) on the front bumper of the machine, slide plow mount (1) into place and lining it up with the OEM pins (C). Swing catch (2) down and secure using pin (3.5) as shown in **Figure 5**.

