

PLOW STRAP ROLLER

Plow Accessory

PART #106140

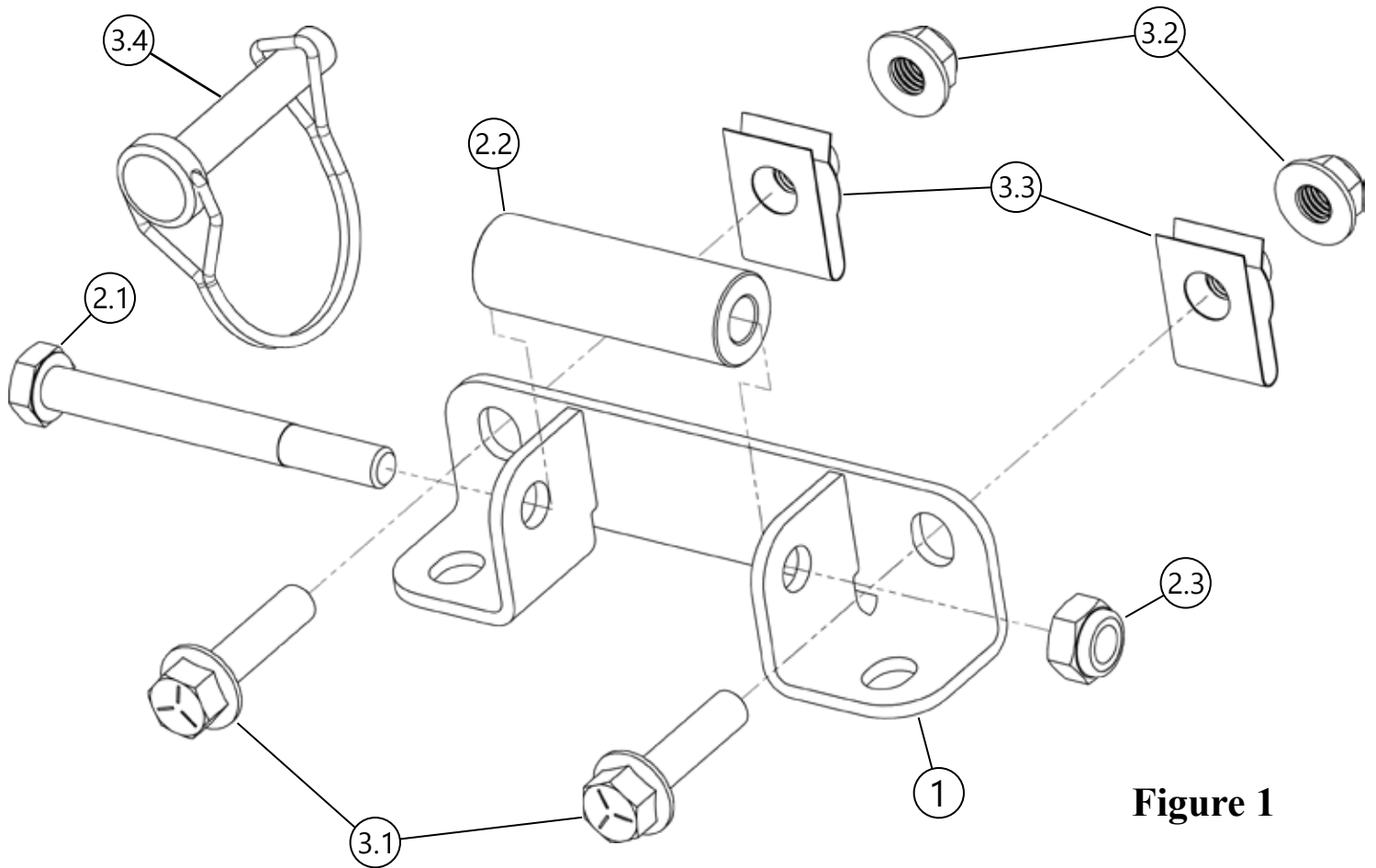


Figure 1

Item #	Qty.	Description
1	1	Pulley Bracket
2	1	Standard Vertical POM Roller Kit
2.1	1	M10-1.50 x 90 Hex Bolt
2.2	1	Standard Vertical POM Roller
2.3	1	M10 x 1.50 Hex Nylock Nut

Item #	Qty.	Description
3	1	HK-383 Hardware Kit
3.1	2	3/8"-16 x 1.50 Hex Flange Bolt
3.2	2	3/8"-16 Hex Flange Nylock Nut
3.3	2	3/8"-16 U-Nut
3.4	1	3/8" Safety Pin



INSTALLATION INSTRUCTIONS

Note: Make sure all hardware needed to complete this mount is in the package. Thoroughly read through and understand the instructions before installing.

1. Assemble POM Roller Kit (2) onto Pulley Bracket (1) as shown in **Figure 1**.
2. Choose one of the three desired locations to install Plow Strap Roller that best suits the application as shown in **Figure 2**.
3. If mounting in locations 1 or 3, assemble U-Nut (3.3) onto mounting holes on push tube as shown in **Figure 3**, hold plow strap roller in place and secure using bolts (3.1) as shown in **Figure 3**.
Note: If you do not wish to use U-Nuts (3.3), secure plow strap roller using bolts (3.1) and nuts (3.2).
4. If installing in location 2, remove the two carriage bolts from Lift Lock Latch (A), set plow strap roller in place and secure using bolts (3.1) and nuts (3.2) and tighten evenly.
5. Once plow strap roller is in place, route plow strap from the winch through the plow strap pulley and attach the cable hook to the plow strap using the supplied Safety Pin (3.4) as shown in **Figure 5**. Attach plow strap to the machine using a soft strap above the winch as shown in **Figure 4 & 5**.

