

ATV PUSH TUBE STIFFENER

Plow Accessory

PART # 105955

Hardware Kit: HK-182

Kit Components:

Item	Qty.	Description
1	1	UPPER TUBE STIFFENER
2	1	LOWER TUBE STIFFENER
3	2	3/8-16 X 1" HEX FLANGE BOLT
4	2	3/8-16 HEX FLANGE NYLOK NUT
5	10	5/16-18 X 2-1/4" CARRIAGE BOLT
6	10	5/16-18 HEX FLANGE NYLOK NUT

INSTALLATION INSTRUCTIONS:

Note: Make sure all of the hardware needed to complete this mount is in the package. Read through and understand the instructions before installing.

1. Remove the hook bracket {C} from the tube system. Shown in [Figure 2](#).
2. Set the lower stiffener on the ground and lay the push tube (105000) onto it.
3. Set the upper stiffener on top of the tube lining the upper stiffeners bend over top of the lower stiffener in the front of the tube. Make sure that in the rear of the tube, the lower stiffener's bend is laying overtop the upper stiffener. Shown in [Figures 3 & 4](#).
4. Loosely attach the upper and lower stiffeners using the 3/8 nuts and bolts in locations {A & B}. Shown in [Figures 3 & 4](#).
5. Set the push tube on its side and loosely attach the 5/16 carriage bolts to the stiffener plates. Shown in [Figure 1](#).
6. *Note: Make sure the two stiffener pieces are pushed as far forward as they can go.*
7. Tighten all of the 5/16 bolts up evenly then tighten down the 3/8 bolts.
8. You can re-attach your hook bracket {C} to the stiffener in the locations {D} or attach your winch hook to location {E}. Shown in [Figure 4](#).

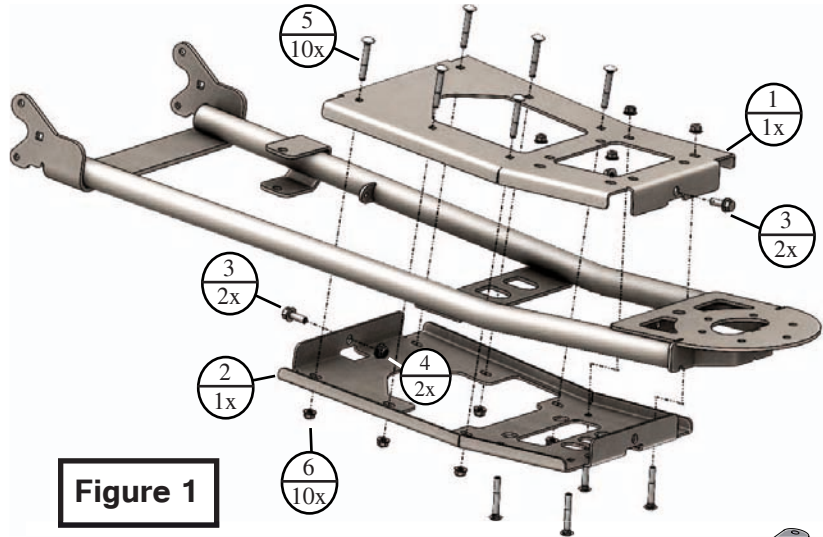


Figure 1

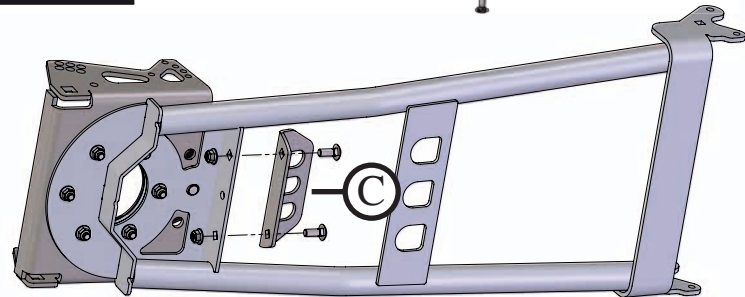


Figure 2

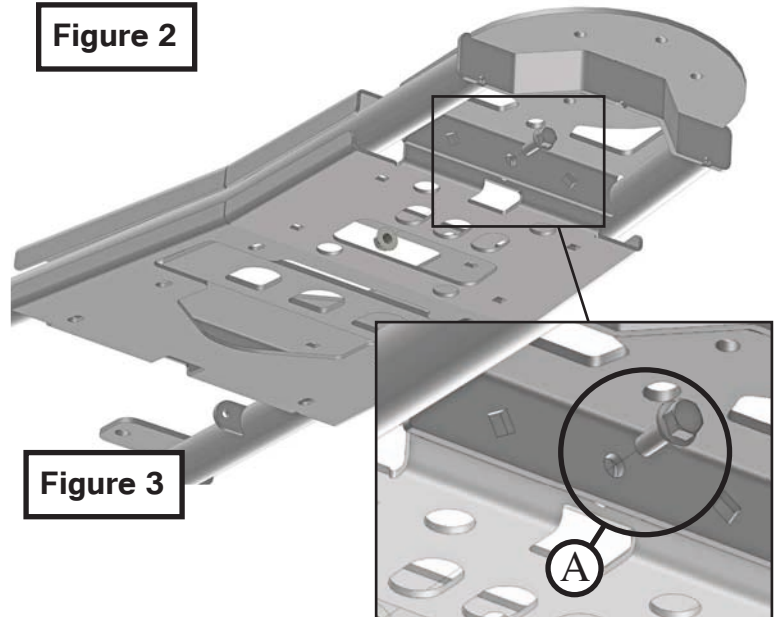


Figure 3

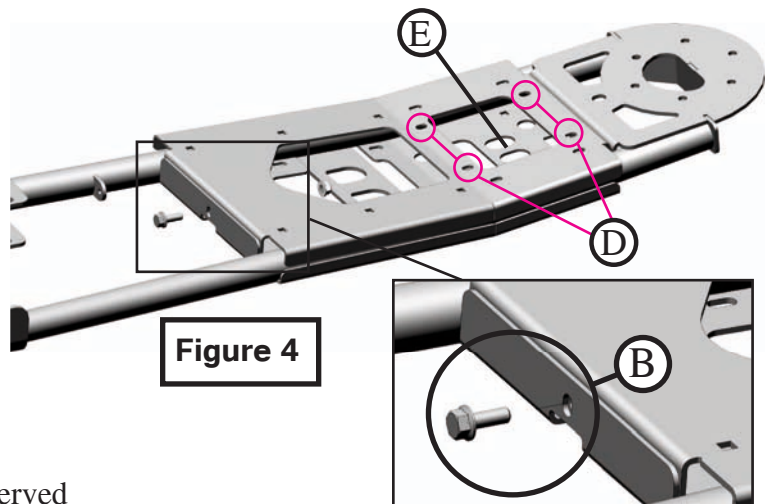


Figure 4

