

YAMAHA WOLVERINE

Plow Mount

PART # 105695

Hardware Kit: HK-150

Kit Components:

Qty.	Part Description
1.....	Plow Mount Plate
2.....	3/8"-16 Square U-Bolt
2.....	3/8"-16 x 1" Flanged Bolt
4.....	3/8"-16 Nylock Flanged Nut

This mount requires
KFI winch mount
#101515

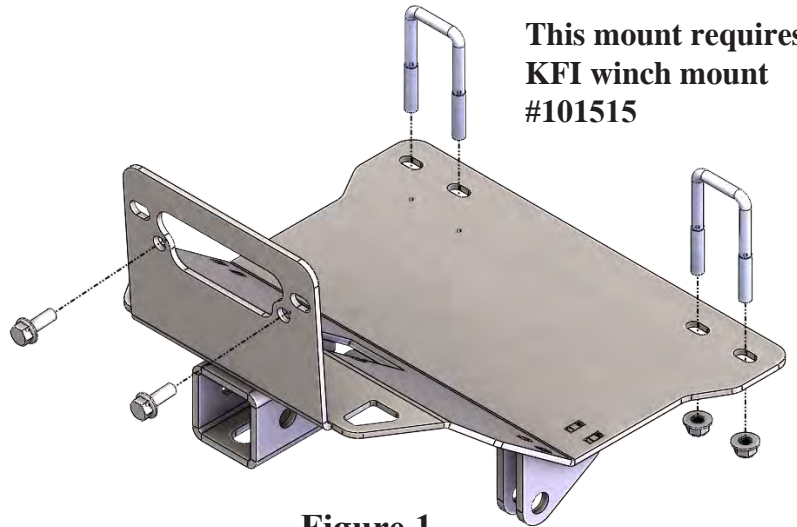


Figure 1

INSTALLATION INSTRUCTIONS:

1. Install your winch mount following the instructions provided with your mount.

Note: It is easier to install the plow mount if installed before the winch and roller fairlead.

2. Install the plow mount plate using the 1" flanged bolts, placing bolts through holes (A) in the winch mount plate. See **Figure 2 and 3**.
3. Using the plow mount as a template mark and drill holes on the plastic skid plate as shown in **Figure 4**.
4. Remove plow mount plate and drill holes.
5. Repeat step 2 and reinstall the plow mount plate.

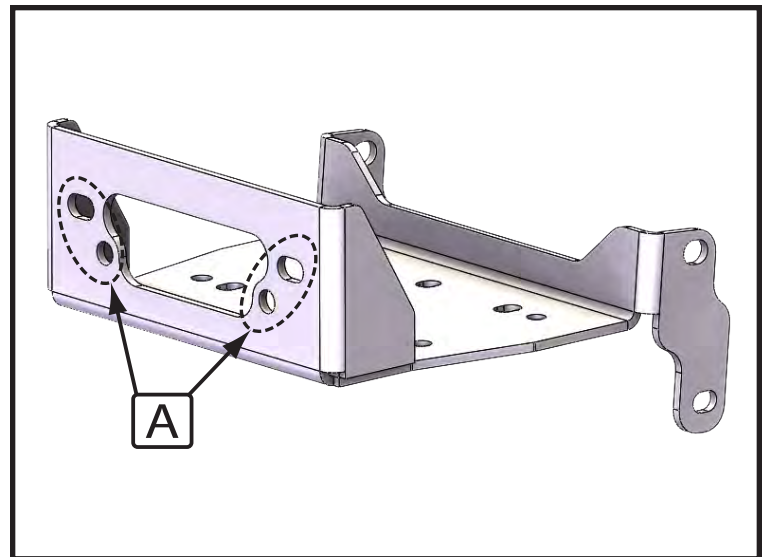


Figure 2: Plow Mount Bolt Locations.

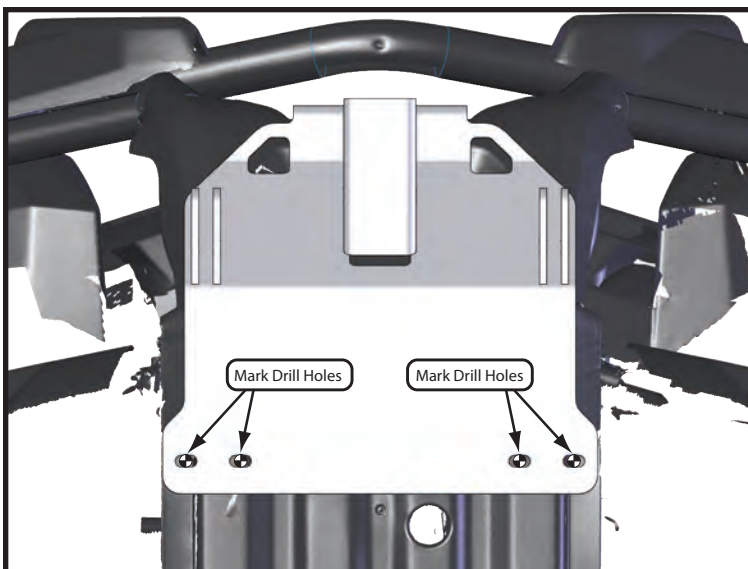


Figure 4: Mount Plate Install

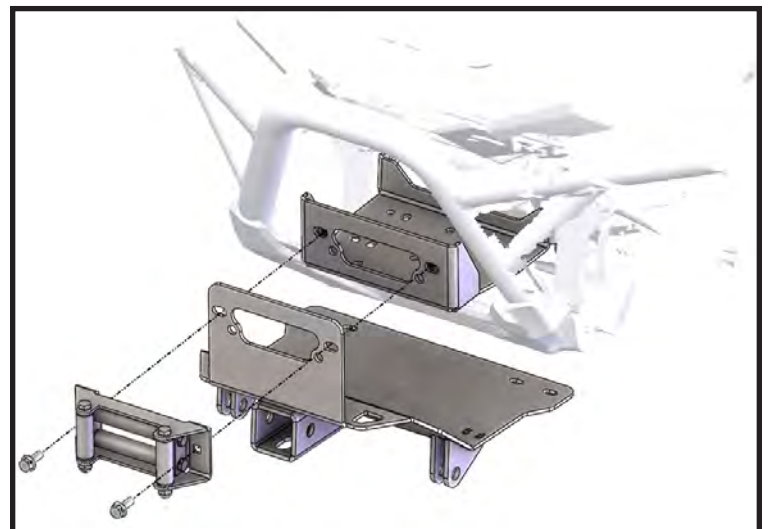


Figure 3: Install to winch mount.

6. Install the U-bolts over the frame and through the holes you drilled. Secure using the 3/8" flanged nuts.
7. Tighten down all bolts.
8. See UTV Plow Tube System instruction manual for tube attachment.

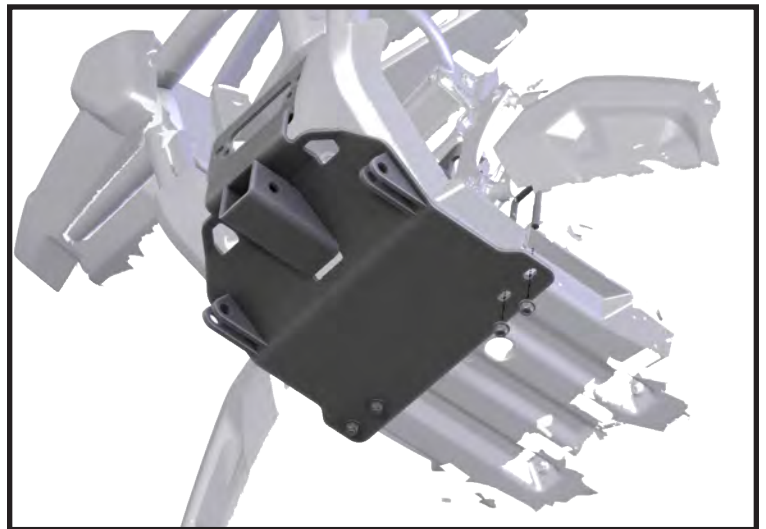


Figure 5: U-bolt Install

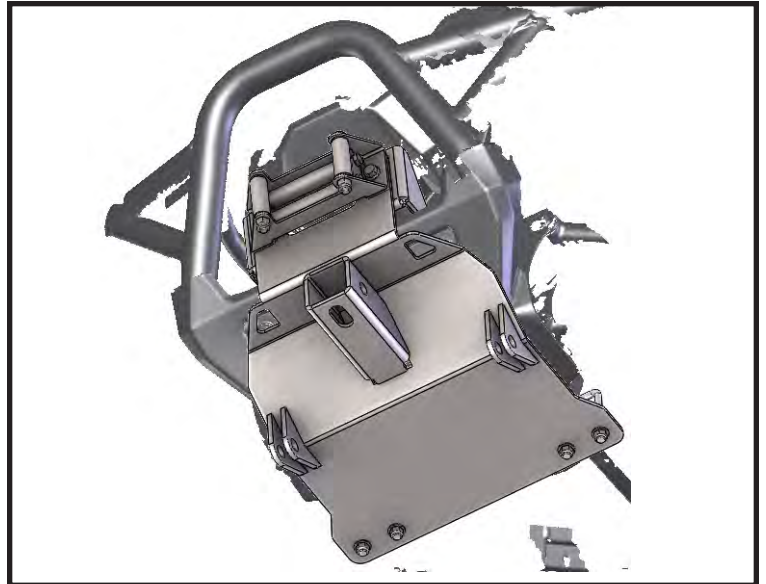


Figure 6: Fully Installed

