

Yamaha Kodiak, Bruin, Grizzly 350-450

Plow Mount

PART # 105120

Hardware Kit: HK-119

Kit Components:

<u>Qty.</u>	<u>Part Description</u>
1.....	Plow Mount Plate
4.....	5/16-18 X 1 3/8" X 2-1/4" Square U-Bolt
8.....	5/16-18 Flanged Lock Nut

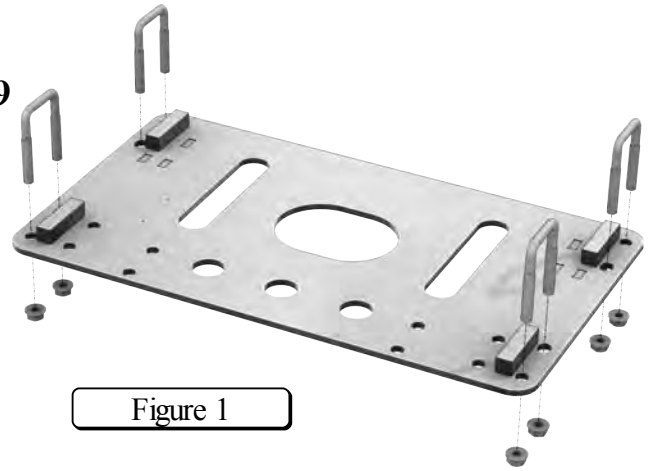


Figure 1

INSTALLATION INSTRUCTIONS:

1. Place u-bolts on machine frame as shown in Figure 2 & 4.

Note:

Skid plate does not need to be removed for mount to fit. Some models may require a notch to be cut in the plastic splash guard near the front passenger side foot peg to allow clearance for the u-bolt.(Figure 2, A)

2. Install mount plate loosely to frame using the u-bolts and 5/16" flanged lock nuts. Make sure tab side is to front of machine.
3. Adjust mount plate so oil plug lines up with large hole and plate is centered on machine.
4. Tighten down all nuts. (Make sure u-bolt ends are even.)
5. See ATV Plow Tube System instruction manual for tube attachment.

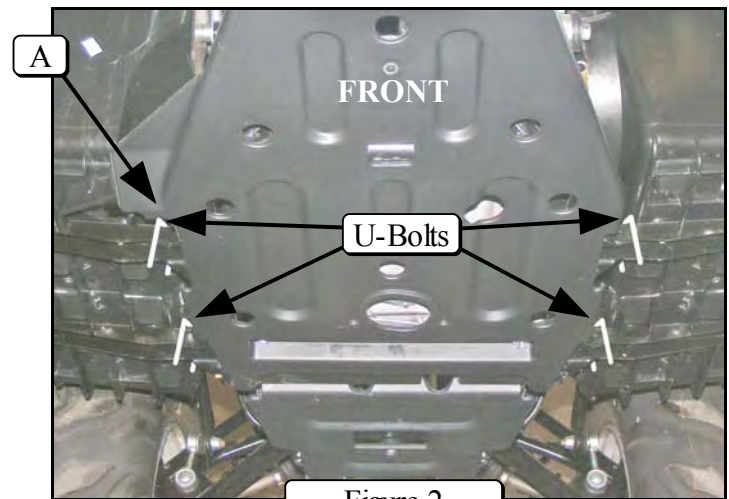


Figure 2

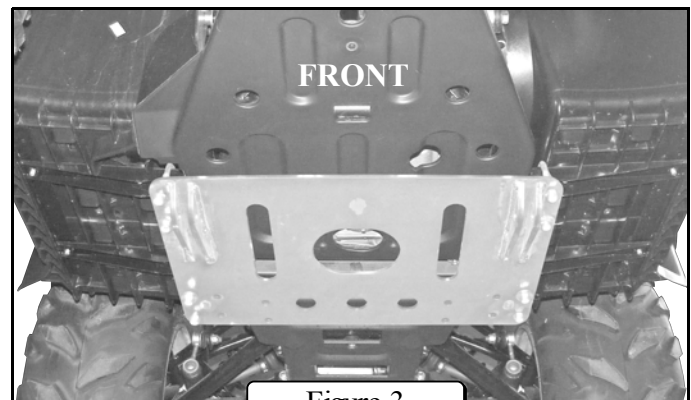


Figure 3

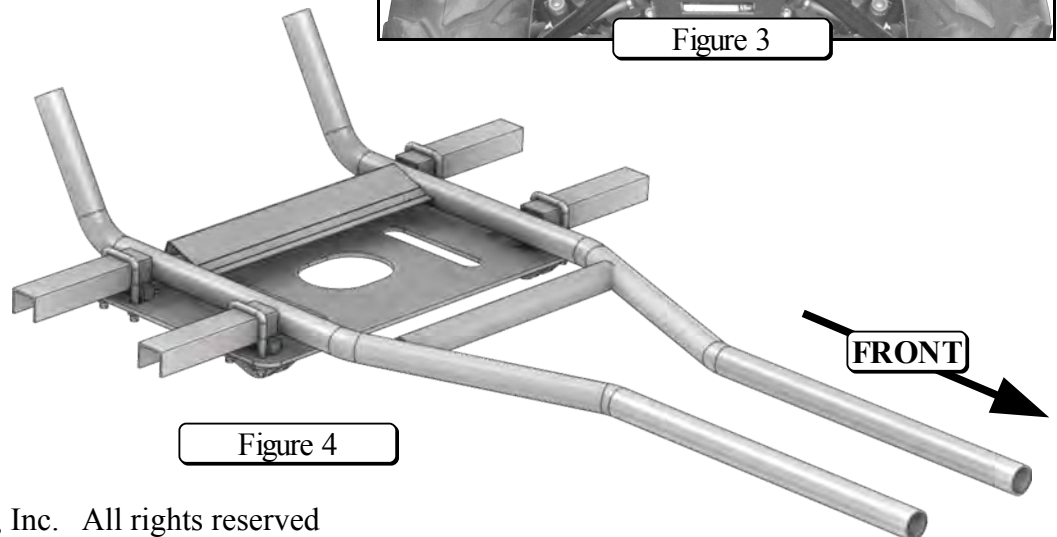


Figure 4

