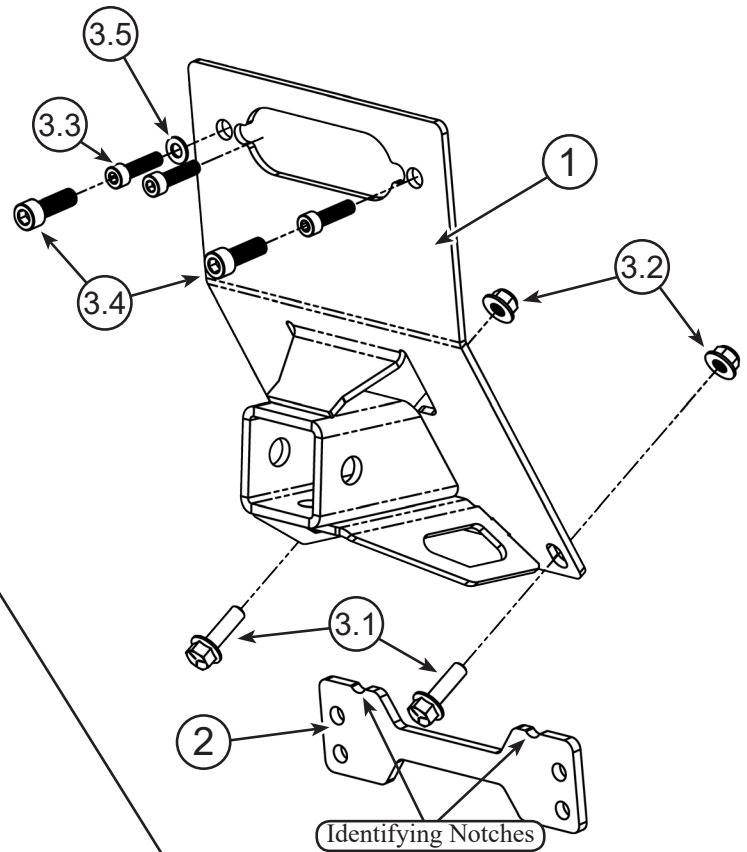
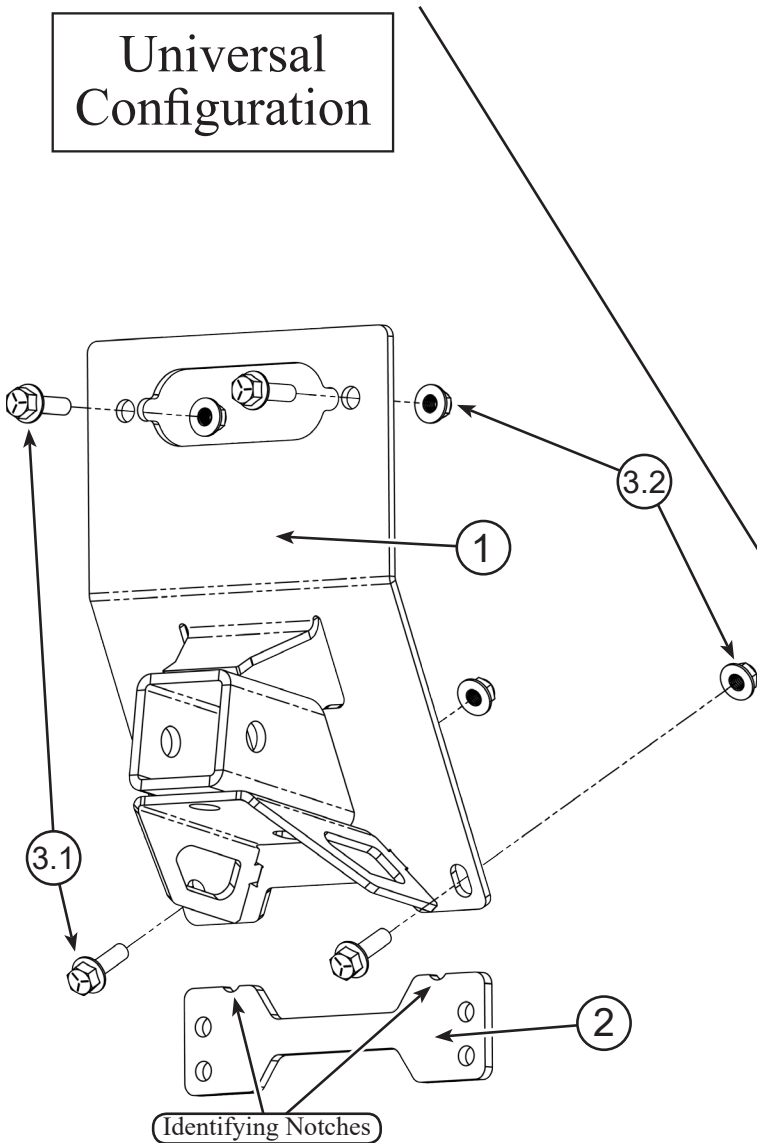


POLARIS RANGER SP 570

Front Receiver PART #102005

Universal Configuration



Polaris Brand Winch Mount Configuration

Kit Components:

Item #	Qty.	Description	Item #	Qty.	Description
1	1	Receiver	3.2	4	3/8"-16 Hex Nut Flange Nylock GR5
2	1	Spacer Plate	3.3	3	M8 X 1.25 X 30mm Socket Head Cap Screw GR10.9
3	1	Hardware Kit HK-433	3.4	2	M10 X 1.50 X 30mm Socket Head Cap Screw GR10.9
3.1	4	3/8"-16 X 1.25" Hex Bolt Flange GR5 Serrated	3.5	1	M8 Flat Washer



INSTALLATION INSTRUCTIONS

Note: Make sure all hardware needed to complete this mount is in the package. Thoroughly read through and understand the instructions before installing. There are many variations to the installation of this receiver.

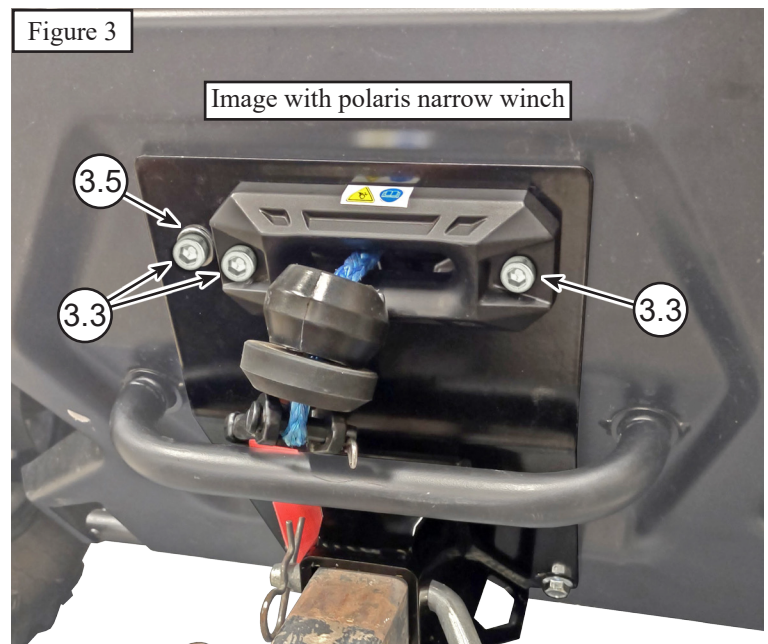
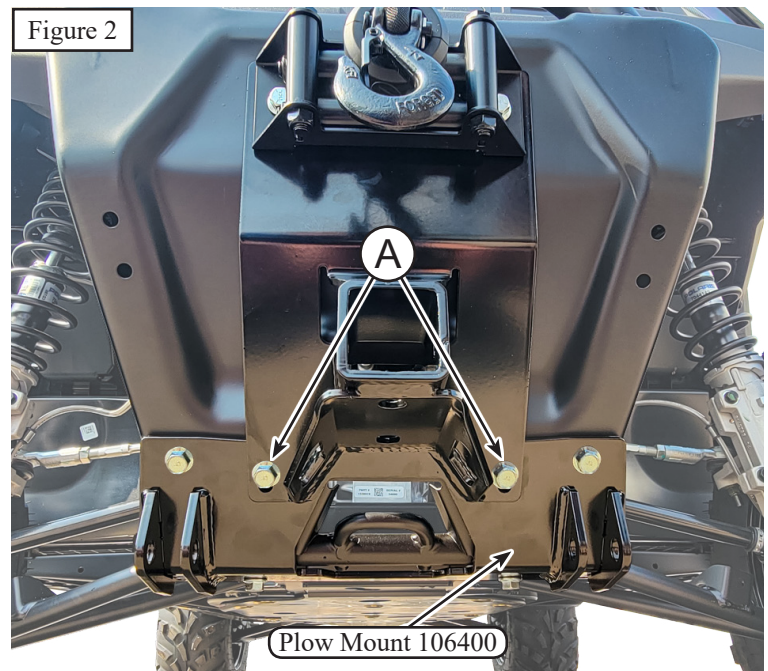
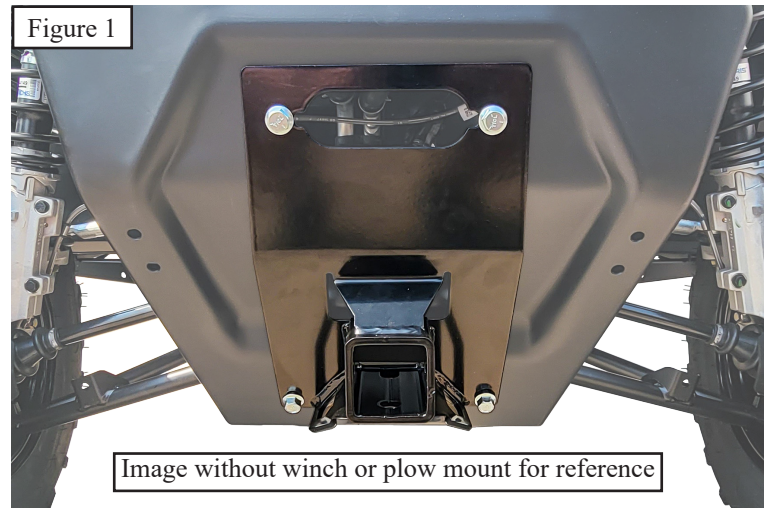
If Installing With KFI Plow Mount (106400)

1. If you will be using KFI Plow Mount 106400, Please install the plow mount on the machine first as shown in the 106400 manual.
2. If the plow mount 106400 is already installed, remove the 2 bolts from location (A) as shown in **Figure 2**.
3. Spacer Plate (2) will not be used if plow mount 106400 is installed. Drilling instructions from this manual will not be needed as drilling is covered in the 106400 Manual.

If You Have An OEM Polaris Winch Mount

Polaris winch mounts installed on this machine use a plate with weld nuts for fairlead mounting. The installation process is the same except that bolts (3.3) and washer (3.5) will be used for a narrow polaris winch, as shown in **Figure 3**. A wide polaris winch will use Bolts (3.4) to mount the fairlead and upper portion of the receiver as shown in the **Exploded Diagram on Page 1**.

Installation on a Base Model.....Page 3
Installation on a Premium/Northstar Model.....Page 4

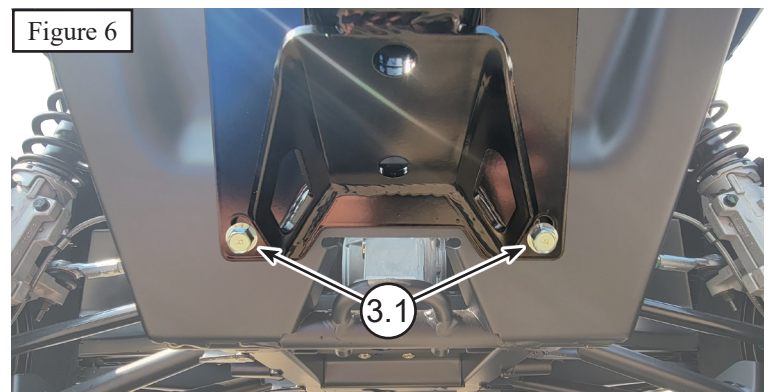
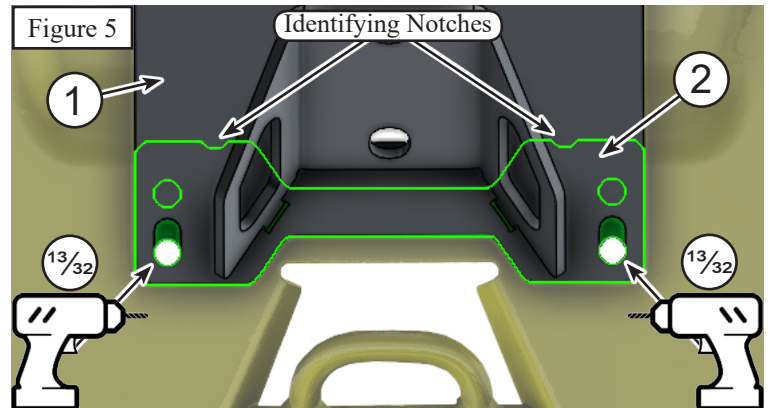
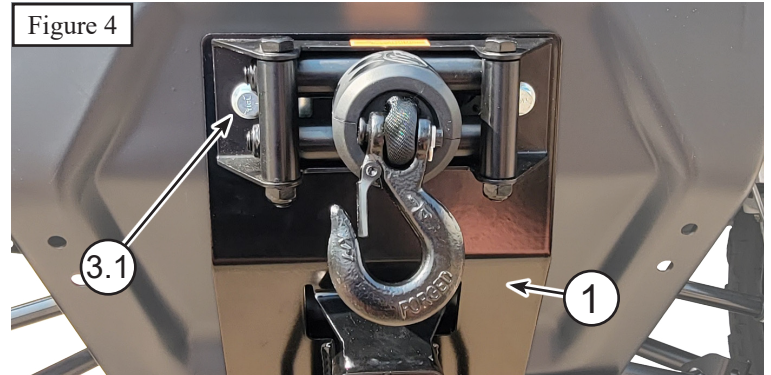


INSTALLATION INSTRUCTIONS

Note: Thoroughly read through and understand the instructions before installing.

Base Model Installation

1. If Applicable, remove the winch hook and fairlead (Indicated in **Figure 3**) from the bumper.
2. If Applicable, pull the winch cable through the fairlead opening in the bumper and receiver (1). Place the cable through the fairlead and ensure that the fairlead opening is lined up correctly though all components before tightening the bolts (3.1) and nuts (3.2) as shown in **Figure 4**.
 - NOTE: If a winch is not installed, the receiver (1) and bumper can be bolted together with bolts (3.1) and nuts (3.2). **Ensure proper alignment before tightening!** See **Figure 1, Page 2**.
3. Use the receiver (1) as a template to drill the lower holes through the bumper with a 13/32" Drill Bit. The holes should be drilled on the **bottom** of the slotted holes as shown in **Figure 5**.
4. Use the spacer plate (2) behind the lower bolt holes of the receiver plate (1) as shown in **Figure 5**. The identifying notches on the spacer plate (2) should be facing **up**.
5. Install bolts (3.1) through the lower holes in the receiver, spacer (or plow mount), and through the bumper. Secure with nuts (3.2) on the back of the bumper. See **Figure 6**.
6. Tighten all hardware evenly.
7. If applicable, reinstall Winch Hook.



INSTALLATION INSTRUCTIONS

Note: Thoroughly read through and understand the instructions before installing.

Premium / Northstar Installation

1. If Applicable, remove the winch hook and fairlead (Indicated in **Figure 7**) from the bumper.
2. Install the receiver plate up through the protruding bar in the bumper as shown in **Figure 8**.
3. If Applicable, pull the winch cable through the fairlead opening in the bumper and receiver (1). Place the cable through the fairlead and ensure that the fairlead opening is lined up correctly though all components before tightening the bolts (3.1) and nuts (3.2) as shown in **Figure 8**.
 - NOTE: If a winch is not installed, the receiver (1) and bumper can be bolted together with bolts (3.1) and nuts (3.2). **Ensure proper alignment before tightening!** See **Figure 1, Page 2**.
4. Use the receiver (1) as a template to drill the lower holes through the bumper with a 13/32" Drill Bit. The holes should be drilled on the **top** of the slotted holes as shown in **Figure 9**.
5. Use the spacer plate (2) behind the lower bolt holes of the receiver plate (1) as shown in **Figure 9**. The identifying notches on the spacer plate (2) should be facing **down**.
6. Install bolts (3.1) through the lower holes in the receiver, spacer (or plow mount), and through the bumper. Secure with nuts (3.2) on the back of the bumper. See **Figure 10**.
7. Tighten all hardware evenly.
8. If applicable, reinstall Winch Hook.

