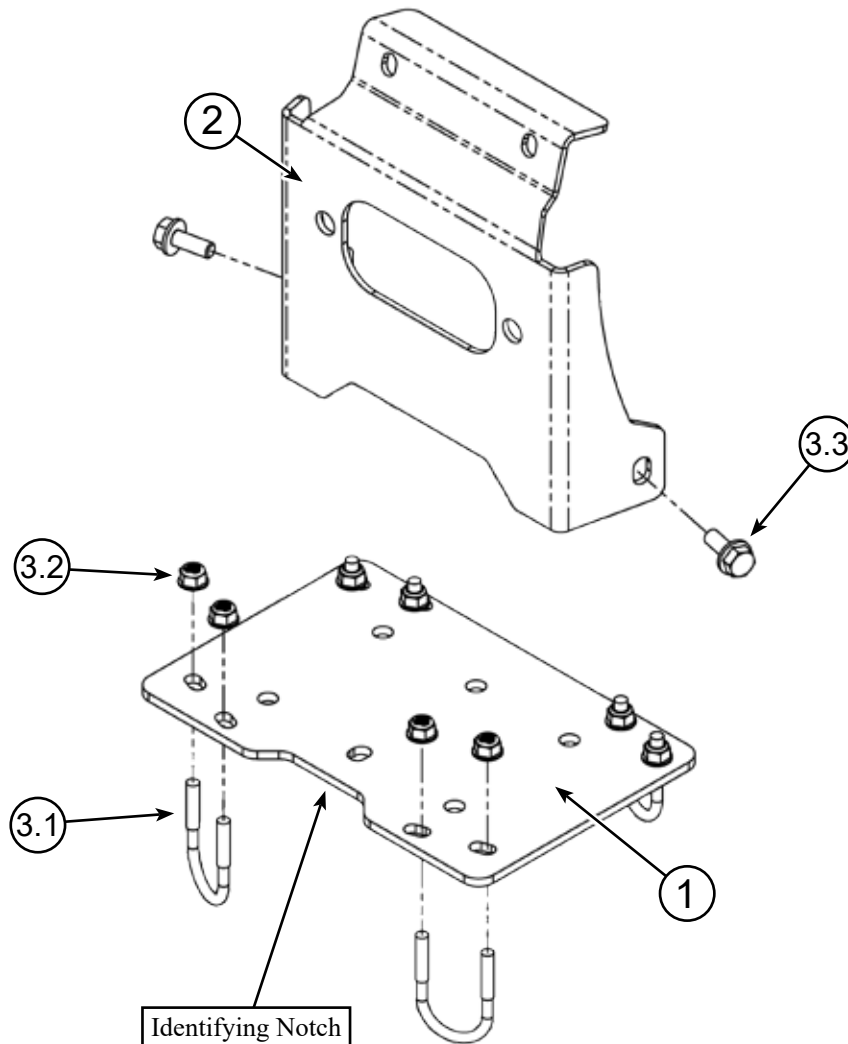


# HONDA RECON

Winch Mount PART #101975

Kit Components:		
Item #	Qty.	Description
1	1	Winch Mount
2	1	Fairlead Bracket
3	1	HK-424
3.1	4	1/4"-20 x 1 1/8" x 1 1/4" x 1" Thread
3.2	8	1/4"-20 Hex Nut Flange Nylock GR5
3.3	2	M8-1.25 X 20 Hex Bolt Flange GR8.8



# INSTALLATION INSTRUCTIONS

**Note:** Make sure all hardware needed to complete this mount is in the package. Thoroughly read through and understand the instructions before installing.

## Installation Instructions

1. Use your winch manual to install your winch onto the winch mount (1). The notch on the mount (1) will be facing forward.
2. Locate the 2 frame rails (A) in the front of the machine as shown in Figure 1.
3. Mount the winch mount (1) onto the frame using the 4 u-bolts (3.1) and 8 lock nuts (3.2) as shown in Figure 2. Tighten evenly.
4. Remove hardware (B & C) as shown in Figure 3, then remove the upper trim piece and discard.
5. Install The Fairlead Bracket (2) onto the machine as shown in Figure 4. Reinstall bolts (B) from step 4 into the same location that they came from. Install the 2 Bolts (3.3) through the fairlead bracket, lower trim piece, and then into the grille guard.
6. Tighten all hardware evenly.

