

# CAN-AM COMMANDER

## Rear Bumper

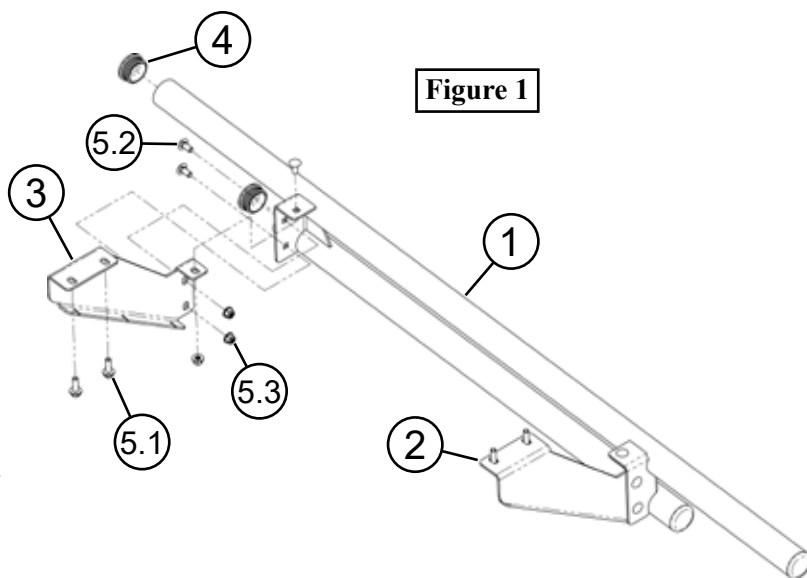
## PART #101960

### Kit Components:

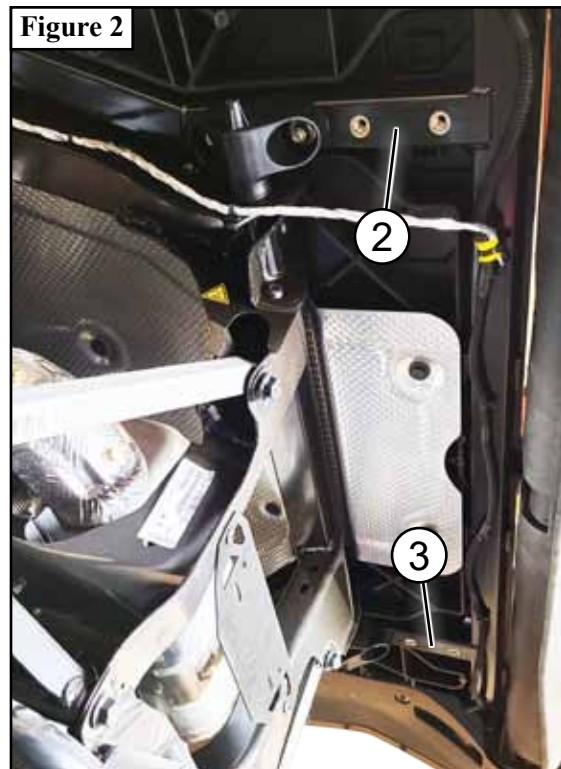
Item #	Qty.	Description
1	1	Bumper
2	1	Driver Side Bumper Bracket
3	1	Passenger Side Bumper Bracket
4	4	Bumper Tube Cap
5	1	Hardware Kit (HK-408)
5.1	4	M8-1.25 x 25 Hex Flange Bolt
5.2	6	5/16"-18 x .75 Carriage Bolt BLK
5.3	6	5/16"-18 Hex Flange Nylock Nut

**Note:** Make sure all hardware needed to complete this mount is in the package. Thoroughly read through and understand the instructions before installing.

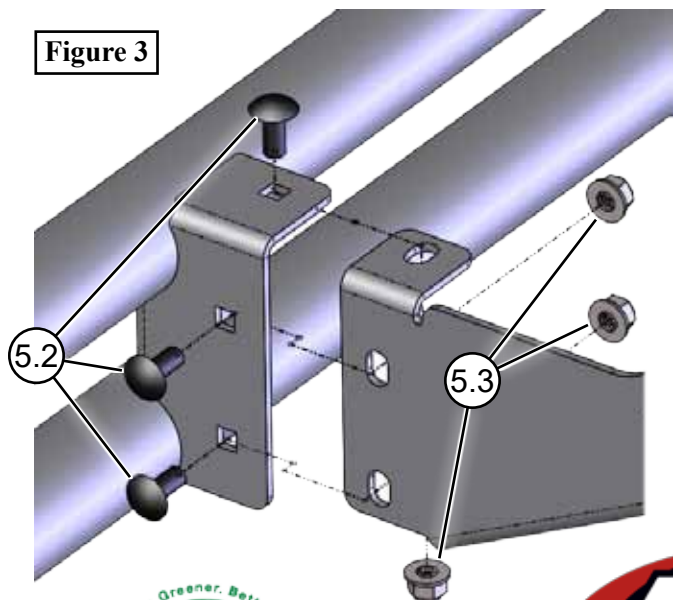
1. Assemble bumper tube caps (4) as shown in **Figure 1**.
2. Secure driver and passenger side bumper brackets (2 & 3) to bed frame using bolts (5.1) as shown in **Figure 2**.
3. Secure bumper (1) to bumper brackets using bolts (5.2) and nuts (5.3) as shown in **Figure 3**.
4. Tighten all hardware evenly.



**Figure 1**



**Figure 2**



**Figure 3**

