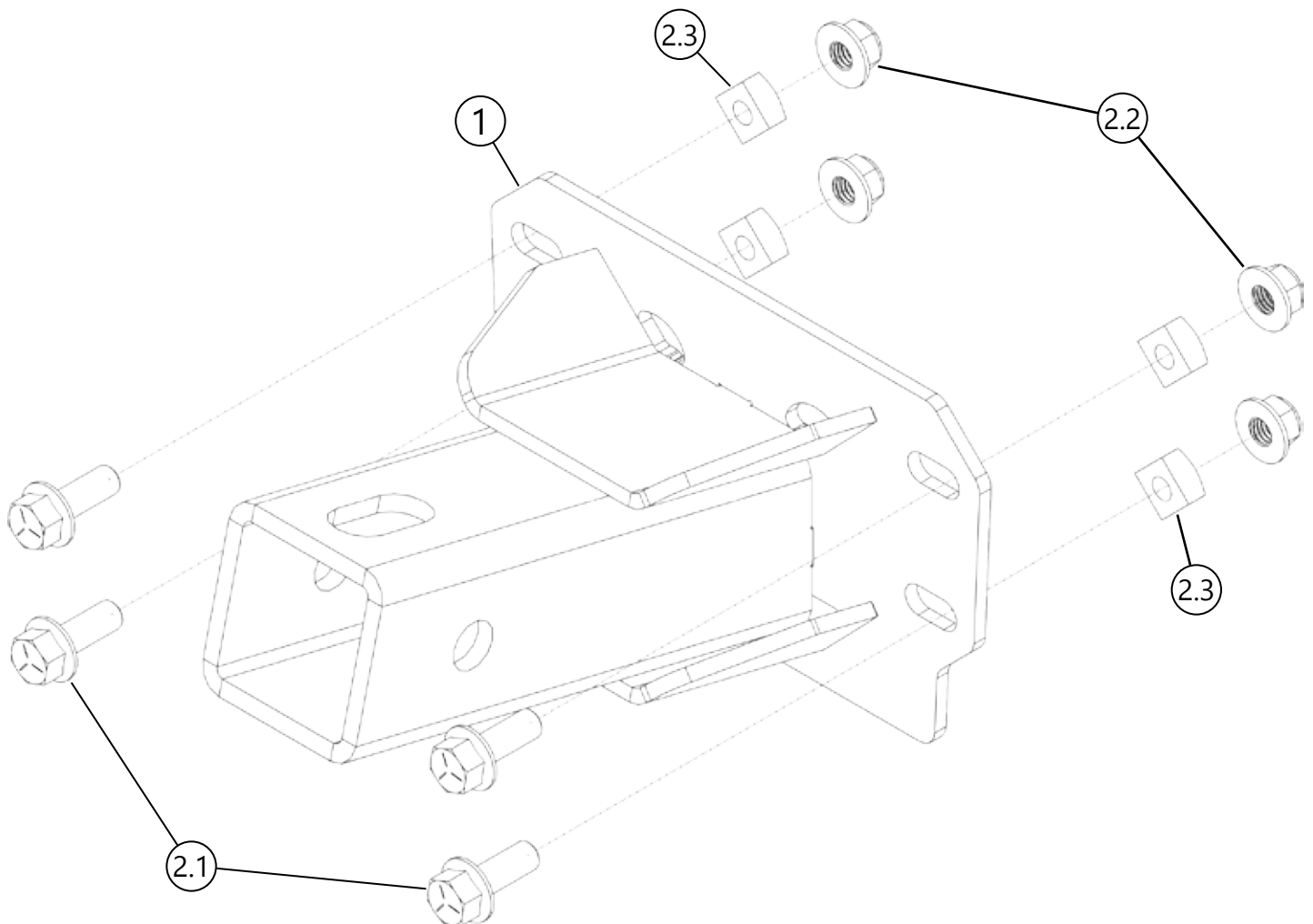


POLARIS RANGER 1000

Front Receiver

PART #101915

Kit Components:		
Item #	Qty.	Description
1	1	Front Receiver
2	1	Hardware Kit (HK-391)
2.1	4	3/8"-16 x 1.00 Hex Flange Bolt
2.2	4	3/8"-16 Hex Flange Nylock Nut
2.3	4	3/8"-16 Square Nut



INSTALLATION INSTRUCTIONS

Note: Make sure all hardware needed to complete this mount is in the package. Thoroughly read through and understand the instructions before installing.

1. Remove the front bumper by removing bolts (A) found behind the bumper as shown in **Figures 1 & 2**.
2. Using a 13/32" drill bit, drill the lower two holes (B) as shown in **Figure 3**.

Note: Some machines may require holes (B & C) to be drilled using a 13/32" drill bit.

3. Set receiver in place and secure using bolts (2.1) and nuts (2.2) as shown in **Figure 4**.

Note: Some machines may require the square nuts (2.3) to be used due to a gusset on the back side of the frame.

4. Re-install front bumper using bolts (A) removed in step 1.
5. Tighten all hardware evenly.

