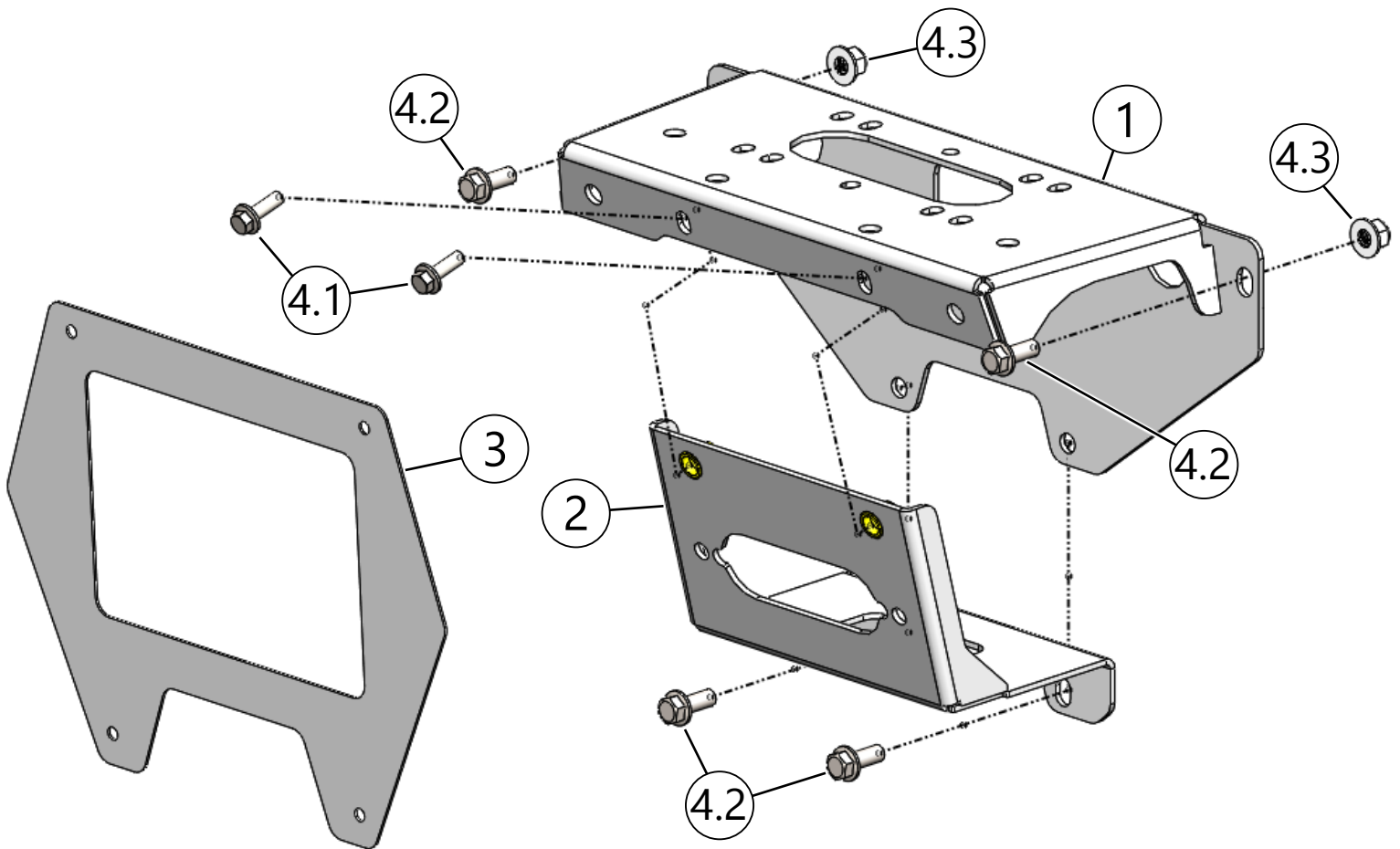


RZR PRO XP WINCH MOUNT

Winch Mount

PART #101790

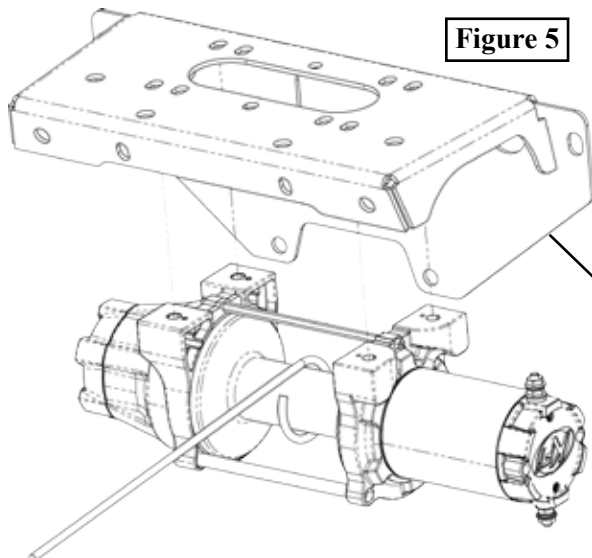
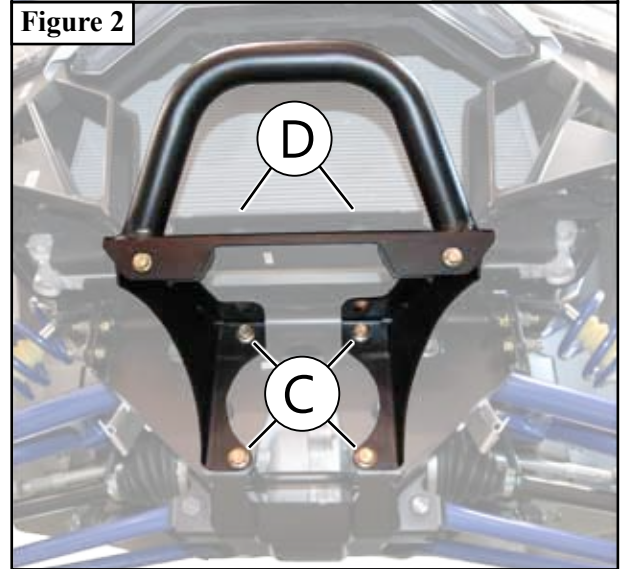
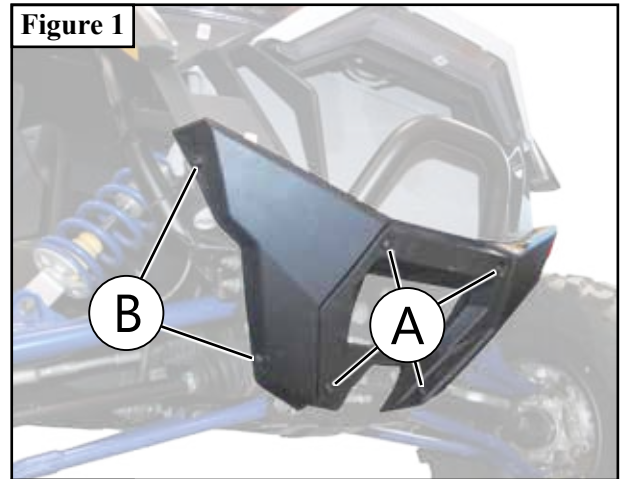
Kit Components:		
Item #	Qty.	Description
1	1	Winch Mount Plate
2	1	Fairlead Mount Plate
3	1	Grill
4	1	HK-368
4.1	2	M8-1.25 x 25 Hex Flange Bolt
4.2	4	M10-1.50 x 25 Hex Flange Bolt
4.3	2	M10-1.50 Hex Flange Nylock Nut



INSTALLATION INSTRUCTIONS

Note: Make sure all hardware needed to complete this mount is in the package. Thoroughly read through and understand the instructions before installing.

1. Remove lower gill from front facia by removing bolts (A) as shown in **Figure 1**.
1. Remove front facia by removing bolts (B) as shown in **Figure 1** and set aside as it will be reinstalled in a later step. **Note:** Passenger side bolts shown in **Figure 1**, bolts will be in same location on the driver side.
2. Remove front bumper supports and front bumper by removing bolts (C) as well as the plastic push rivets (D) holding the plastic shroud to the front bumper as shown in **Figure 2**. The plastic push rivets (D) will be reused in a later step.
3. Remove the front bumper from bumper supports by removing hardware (E) as shown in **Figure 3**. Set front bumper and hardware (E) aside as they will be reused and installed in a later step. The bumper support brackets can be discarded as they will no longer be used.
4. Install the front bumper to Winch Mount (1) using hardware (E) removed from step 3 as shown in **Figure 4**.
5. Once front bumper is installed to winch mount (1), install winch upside down to Winch Mount (1) using the M8 hardware supplied with the winch as shown in **Figure 5**. Note: Winch cable must come out between the drum of the winch and the mounting surface as shown in **Figure 5**.

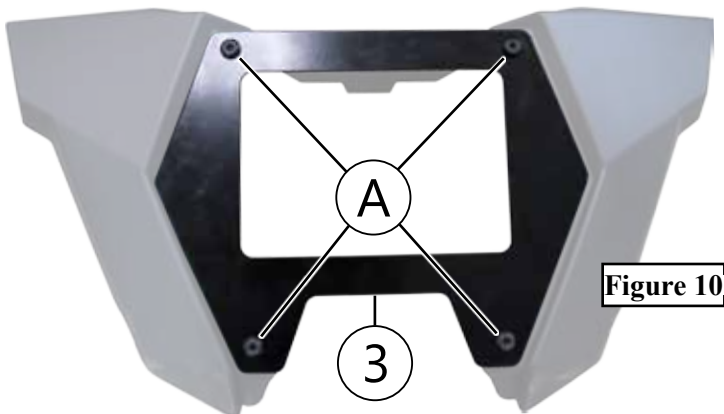
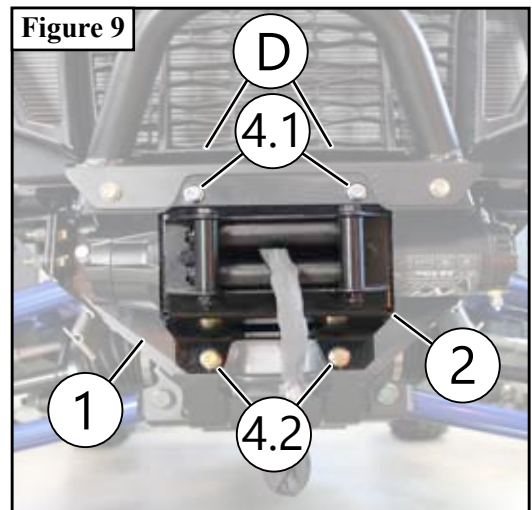
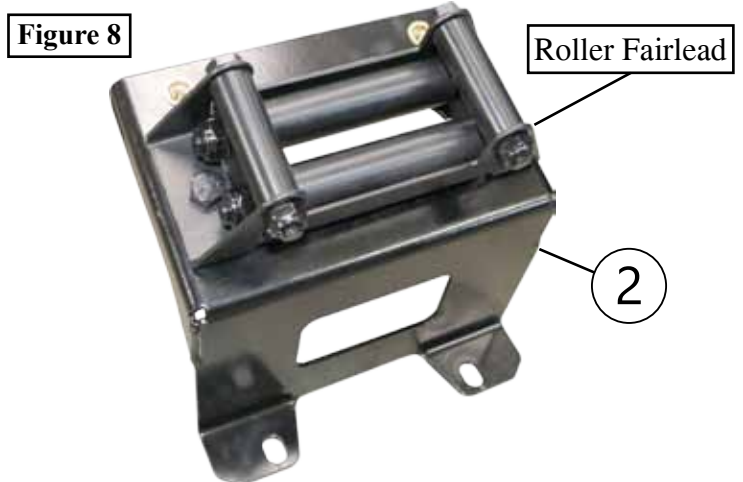
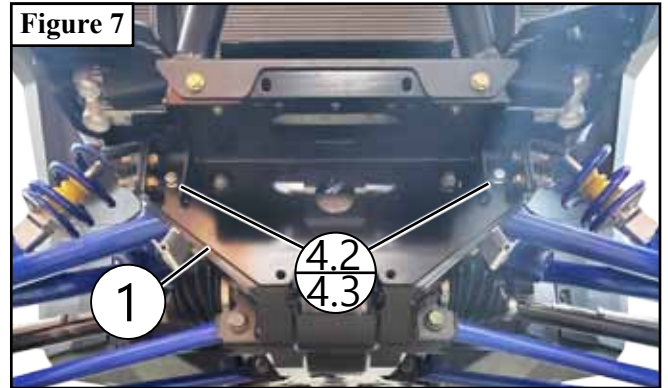
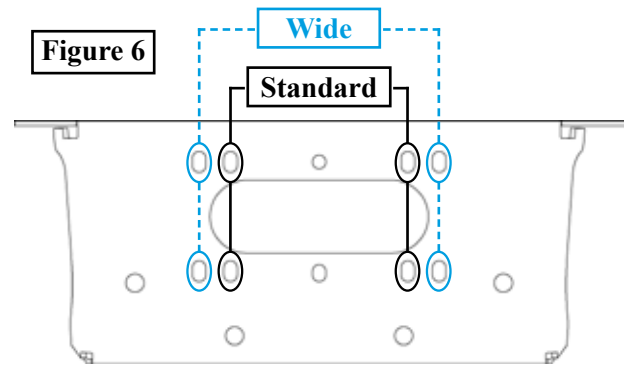


INSTALLATION INSTRUCTIONS

- See **Figure 6** for wide and standard winch bolt patterns.
- Once winch is installed, hold Winch Mount (1) in place and loosely secure the top of Winch Mount (1) to the frame of the machine using M10 bolts (4.2) and nuts (4.3) as shown in **Figure 7**. *Note: Winch has been removed for clarity in image, winch needs to be installed to winch mount before winch mount is installed to the machine.*

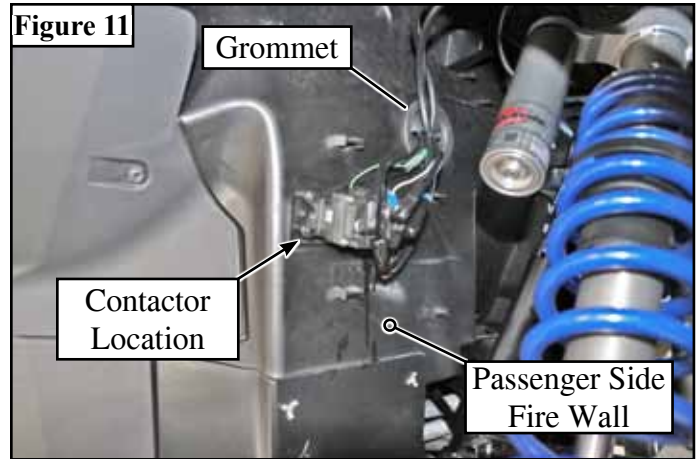
Note: If winch terminals come close to hitting the frame, you may need to rotate the end cap and motor housing 90 degrees.

- Install fairlead to Fairlead Mount Plate (2) using the hardware supplied with the winch as shown in **Figure 8**.
- Hold Fairlead Mount Plate (2) in place running the winch cable through the fairlead and lining up the bottom bolt holes in the Fairlead Mount Plate (2). With the top of the Fairlead Mount Plate (2) behind the Winch Mount (1), secure using M8 bolts (4.1) on the top and M10 bolts (4.2) on the bottom as shown in **Figure 9**.
- Reinstall the plastic push rivets (D) removed in step 3 as shown in **Figure 9**.
- Tighten all hardware evenly.
- Hold Grill (3) in place of the lower grill previously removed in step 1 and secure using the OEM bolts (A) as shown in **Figure 10**.
- Reinstall front fascia back on the machine putting the opening of Grill (3) over the fairlead and secure using the OEM bolts (B).
- Tighten all hardware evenly.



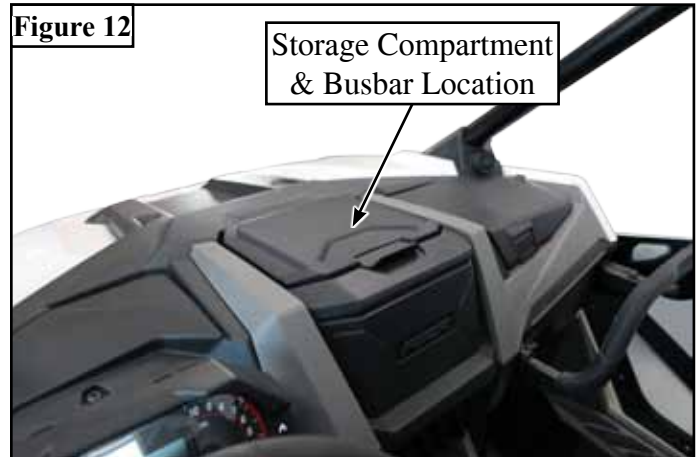
WIRING INSTRUCTIONS

1. Install the contactor using the hardware supplied with the winch to the OEM contactor location on the machine in the passenger side wheel well on the fire wall as shown in **Figure 11**.
2. Using the battery cables supplied with the winch, connect to the contactor per the wiring instructions provided with the winch manual. Route the battery cables through the fire wall up to the busbar through the grommet located just above the contactor as shown in **Figure 11**.



*Note: The busbar is located underneath the storage compartment on top of the dash. The storage compartment will have to be removed to gain access to the busbar as shown in **Figure 12 & 13**.*

3. Connect the red positive (+) battery cable to the red (+) terminal on the busbar and connect the black negative (-) battery cable to the black (-) terminal on the busbar.
4. Wire the winch and switch/switches per the wiring instructions provided with the winch manual.



Optional Polaris Wire 3-Pin Harness

If you wish to use the 3-Pin Harness, follow the wiring instructions provided with the harness to supply power and ground (if applicable) to your switch.

Keyed 12V Accessory Wire

If the 3-Pin Harness is not being used, connect the red positive (+) wire from the switch/switches to the accessory wire (typically orange) going into the busbar as shown in **Figure 13**.

