

# Arctic Cat Alterra 500 / 700

## Winch Mount

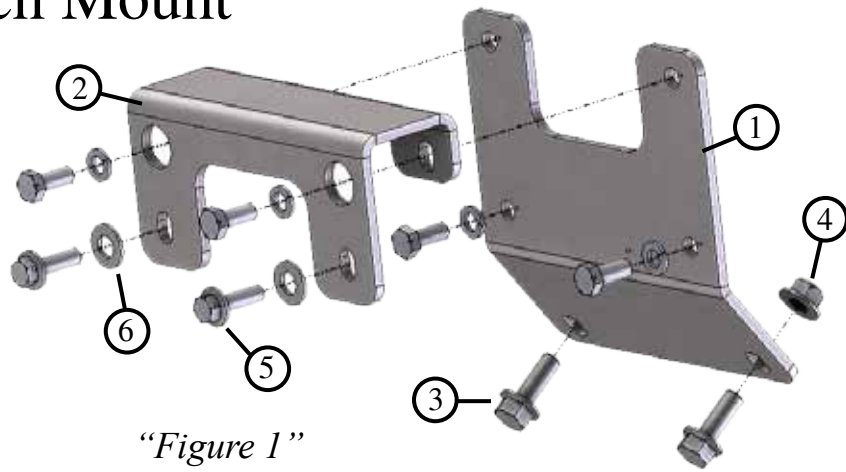
Winch Mount

PART # 101390

Hardware Kit: HK-330

Kit Components:

Item #	Qty.	Description
1	1	Winch Mount
2	1	Winch Mount Bracket
3	2	3/8-16 X 1" Hex Flange Bolt
4	2	3/8-16 Hex Flange Nylock Nut
5	2	M8 X 1.25 X 25MM Hex Flange Bolt
6	2	M10 Flat Washer

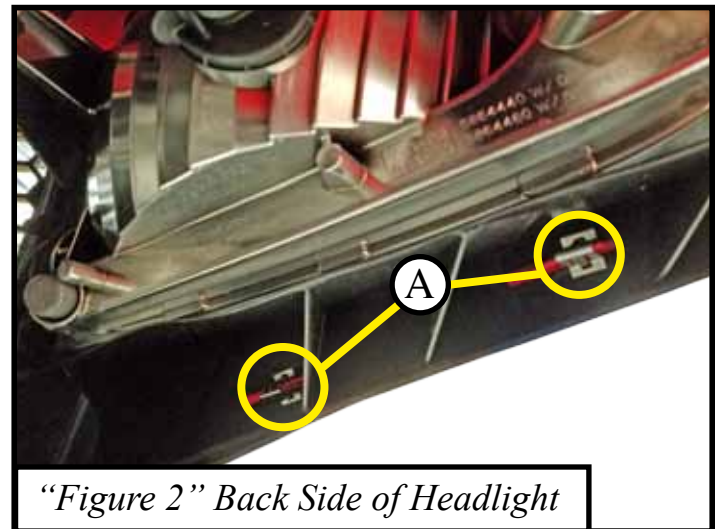


"Figure 1"

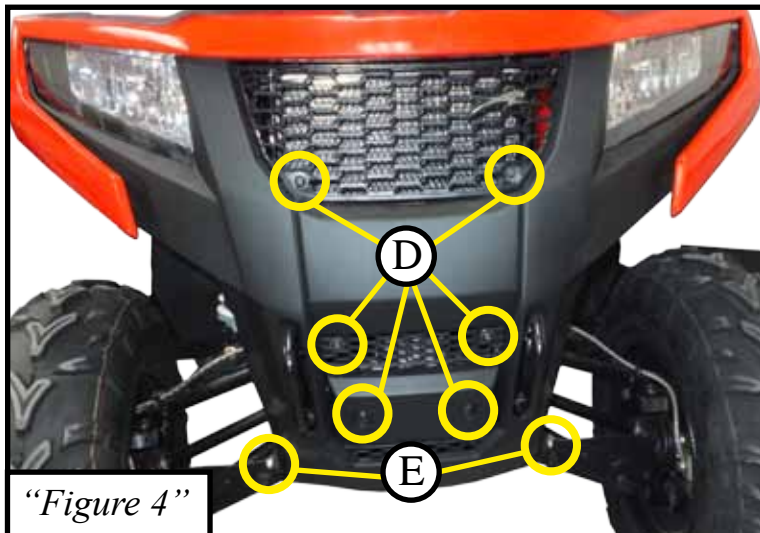
### INSTALLATION INSTRUCTIONS:

*Note: Make sure all of the hardware needed to complete this mount are in the package. Depending on your winch you may have extra hardware left over when finished installing. Read through and understand the instructions before installing.*

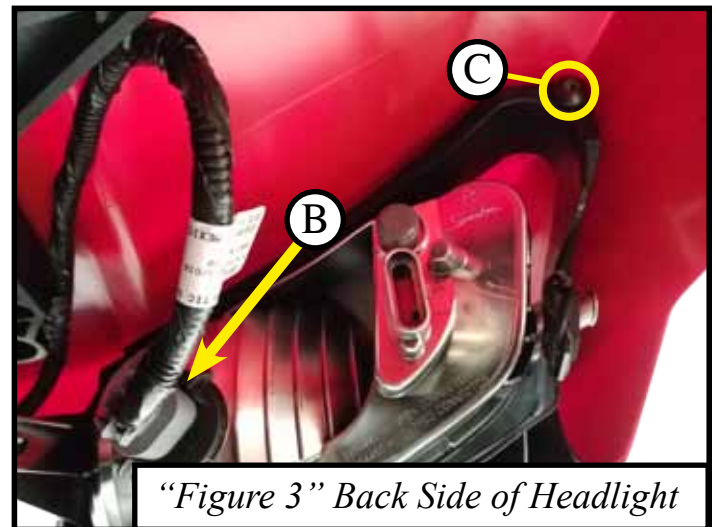
1. Remove the four metal clips (A) from the front plastic fascia under the headlights. Shown in [Figure 2](#).
2. Unplug the harness from back of headlight assembly (B). **Note: Do not take the bulb out.** Take out the screws (C) from each side. Shown in [Figure 3](#).
3. Take out the six screws (D) and two bolts (E) from the front plastic fascia. Shown in [Figure 4](#).



"Figure 2" Back Side of Headlight

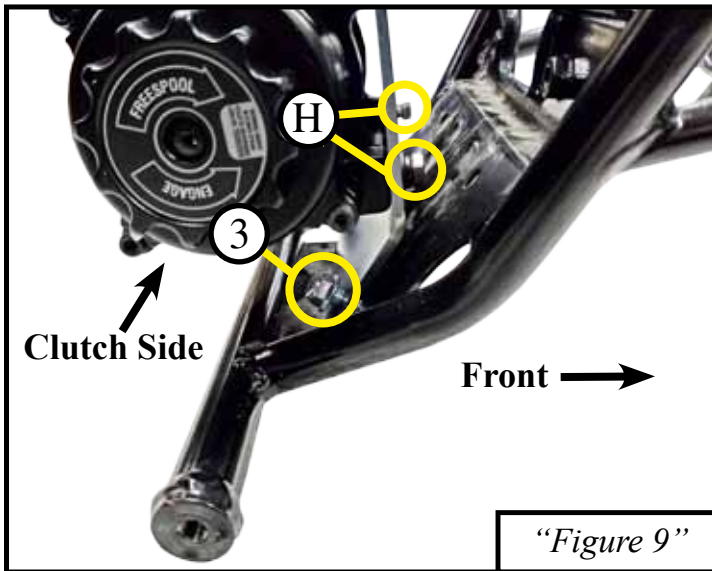
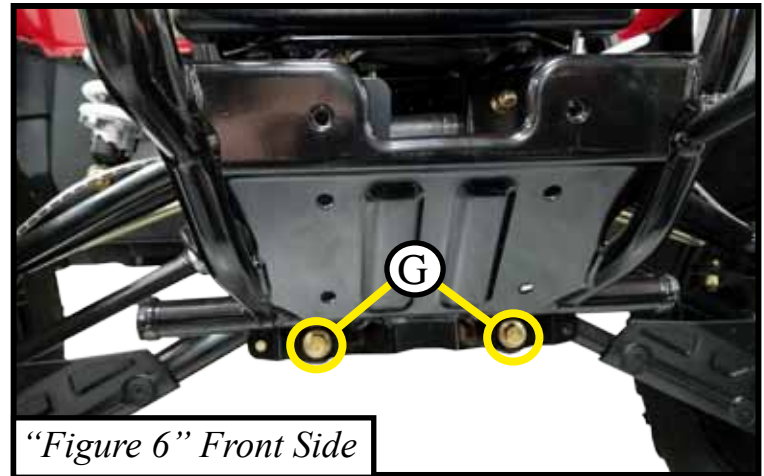
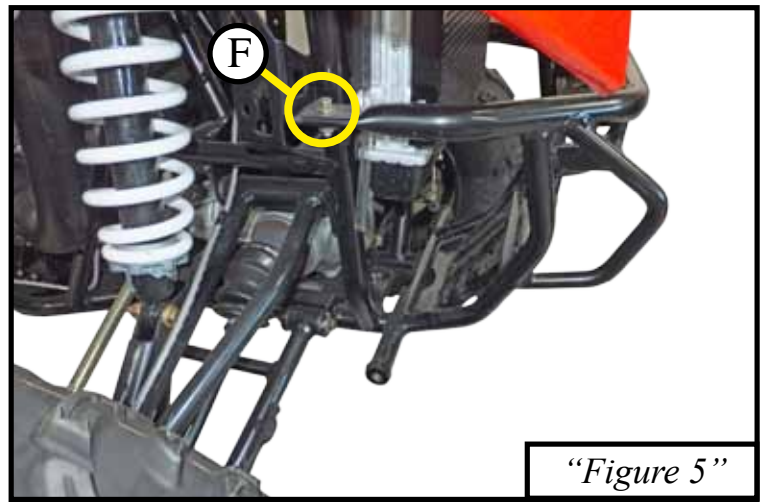


"Figure 4"

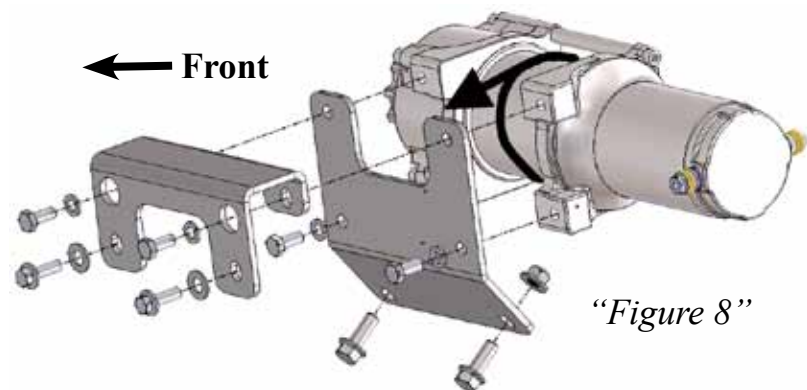
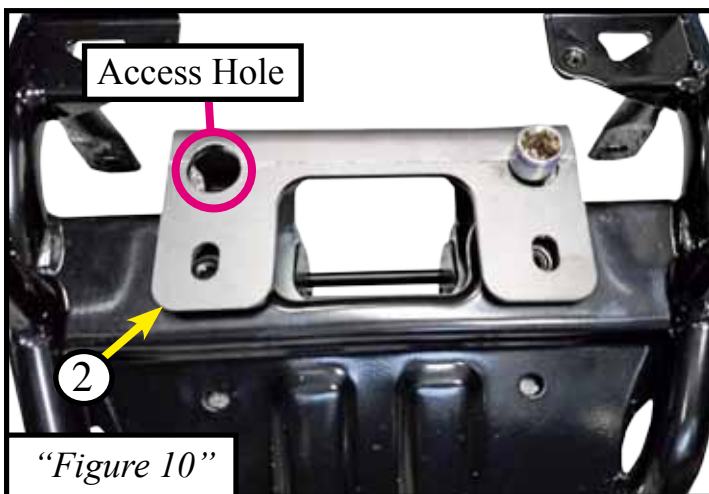
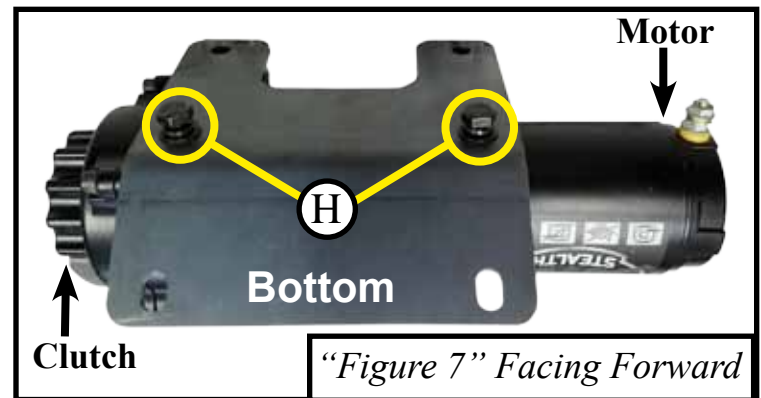


"Figure 3" Back Side of Headlight

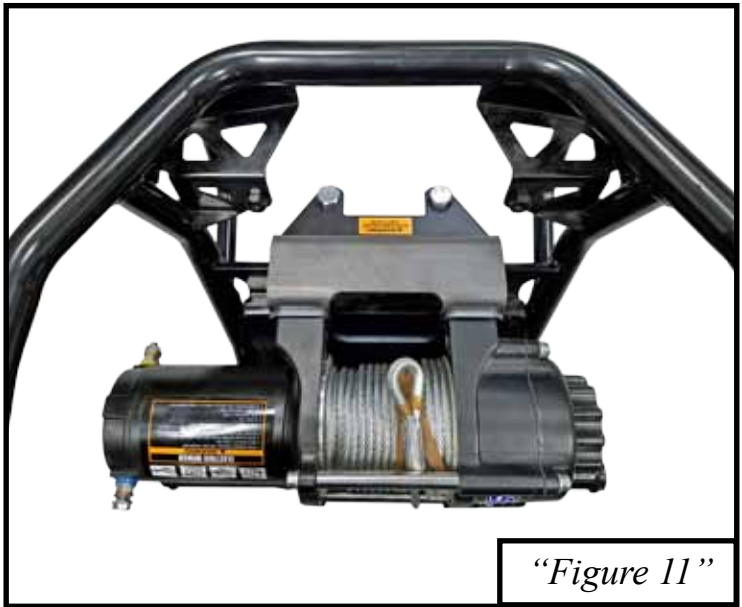
4. Remove bolts (F) from the bumper frame. Shown in [Figure 5](#).
5. Remove bolts (G) from the bottom of the bumper. Pull the bumper off of the machine. Shown in [Figure 6](#).
6. Attach the winch to the winch mount using the bottom two bolts (H) included with your winch. Shown in [Figures 7 & 9](#).
7. Attach the winch mount to the bumper bolting it together using bolts (3) into the lower holes of the winch mount loosely. Shown in [Figure 7](#).



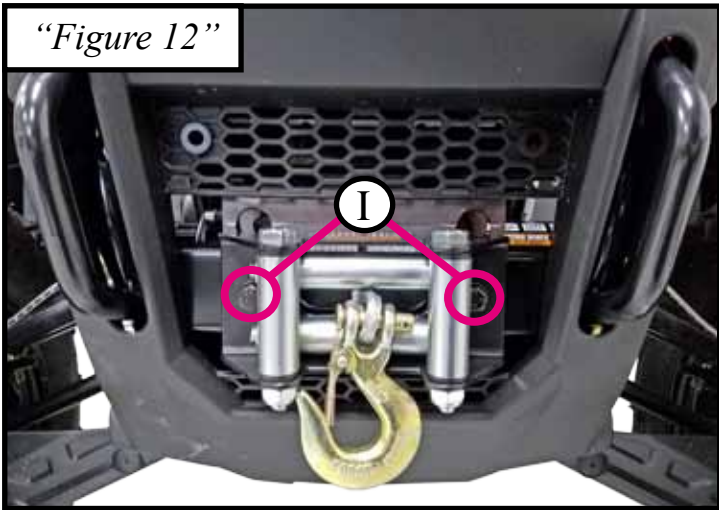
8. Place winch mounting bracket (2) on the front bumper. Line up the front two holes up with the bumper’s factory fairlead holes. Shown in [Figure 10](#).
9. Attach the upper winch bolts through the access holes in the top piece of the mounting bracket. Shown in [Figures 8 & 10](#).



10. The fairlead rollers will be attached through the slots (I), into the factory mounting holes in the bumper. Shown in Figures 11 & 12.
11. Re-attach the front bumper and the plastic fascia. Shown in Figure 12.
12. Tighten all mounting bolts.



“Figure 11”



“Figure 12”



“Figure 13”

**WIRING INFORMATION**

1. The battery location is under the seat. See Figure 13.
2. We recommend mounting the contactor on either the radiator support OEM location, or the outside of the battery tray.
3. Use the wiring diagram in your winch manual to see how the winch is wired.
4. Mini-Rocker Switch Hardware kit. This allows you to mount your usual handle bar mounted switch to almost any desired location.
  - a. Remove handlebar mount hardware from the switch.
  - b. Locate desired mounting location
  - c. Mark and drill two switch holes through dash using switch housing as a template
  - d. Drill a 3rd hole for the switch wiring.
5. Wire the red ignition wires from controllers to the red (+) wire on the accessory plug using the supplied connector.

