

2017 ARCTIC CAT PROWLER 500 / KYMCO UXV 450i

Winch Mount

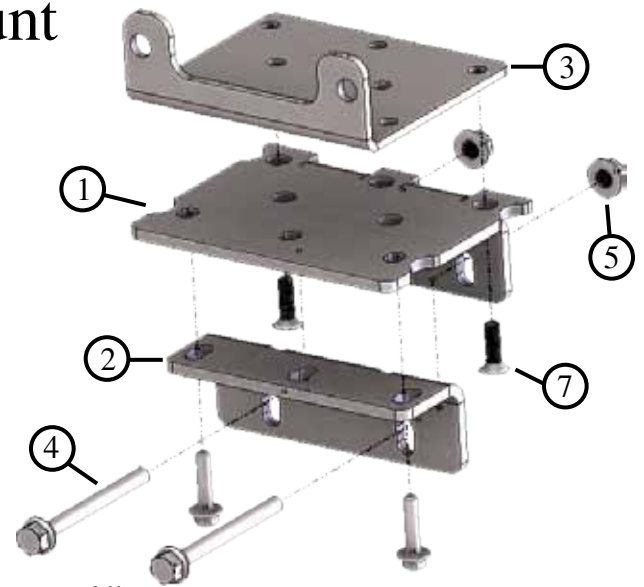
Winch Mount

PART # 101370

Hardware Kit: HK-327

Kit Components:

Item #	Qty.	Description
1	1	Winch Mount
2	1	Winch Mount Bracket
3	1	Standard Fairlead Bracket
4	2	3/8-16 x 3.50" Hex Flange Bolt
5	2	3/8-16 Hex Flange Nylock Nut
6	2	M8-1.25 X 25mm Flat Head Socket Cap
7	2	M8-1.25 X 20mm Flat Head Socket Cap
8	3	M8-1.25 Flange Nut
9	1	M8-1.25 X 35mm Hex Bolt

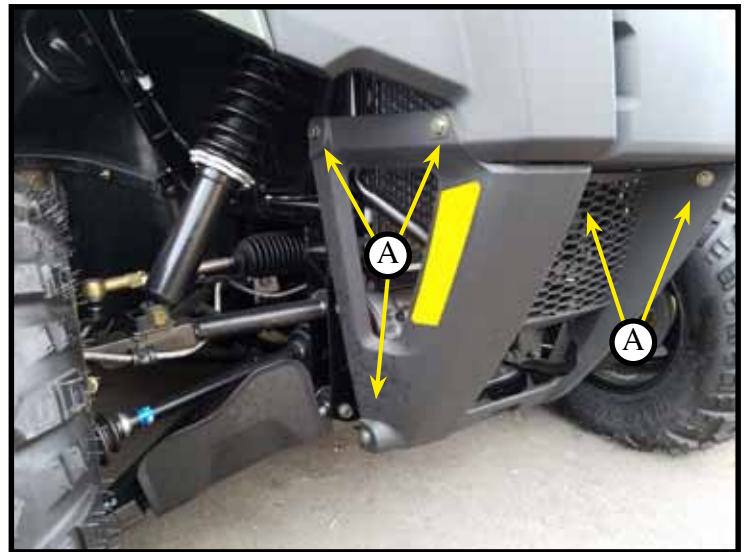


"Figure 1"

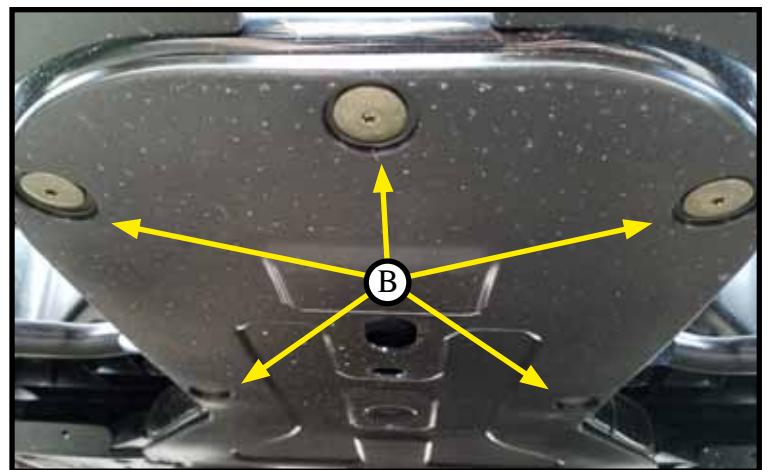
INSTALLATION INSTRUCTIONS:

Note: Make sure all of the hardware needed to complete this mount are in the package. Depending on your winch you may have extra hardware left over when finished installing. Read through and understand the instructions before installing.

1. Uninstall the plastic fascia by removing the 8 bolts (A) on the sides and front of the plastic fascia. Shown in Figure 2.
2. Uninstall the plastic skid plate by removing the 5 bolts (B) from the bottom of the machine. Shown in Figure 3.
3. In the next steps you will assemble the 3 part winch mount together and bolt the winch to it so that it's all one piece. Depending on what size and type of winch you have it will be mounted differently. Continue to Pg. 2 on how to mount your specific winch.



"Figure 2" Front of Machine

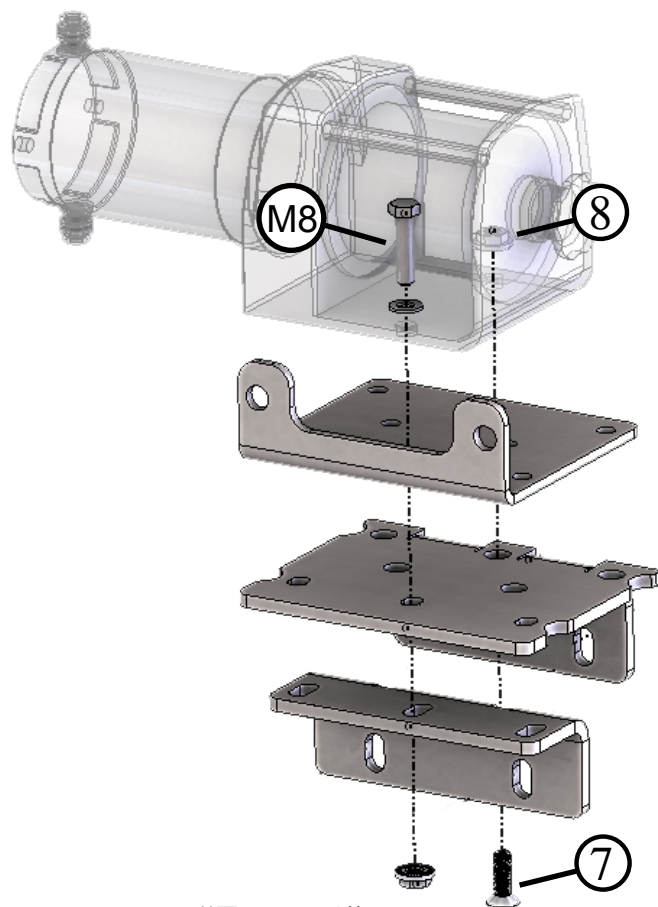


"Figure 3" Bottom of Machine

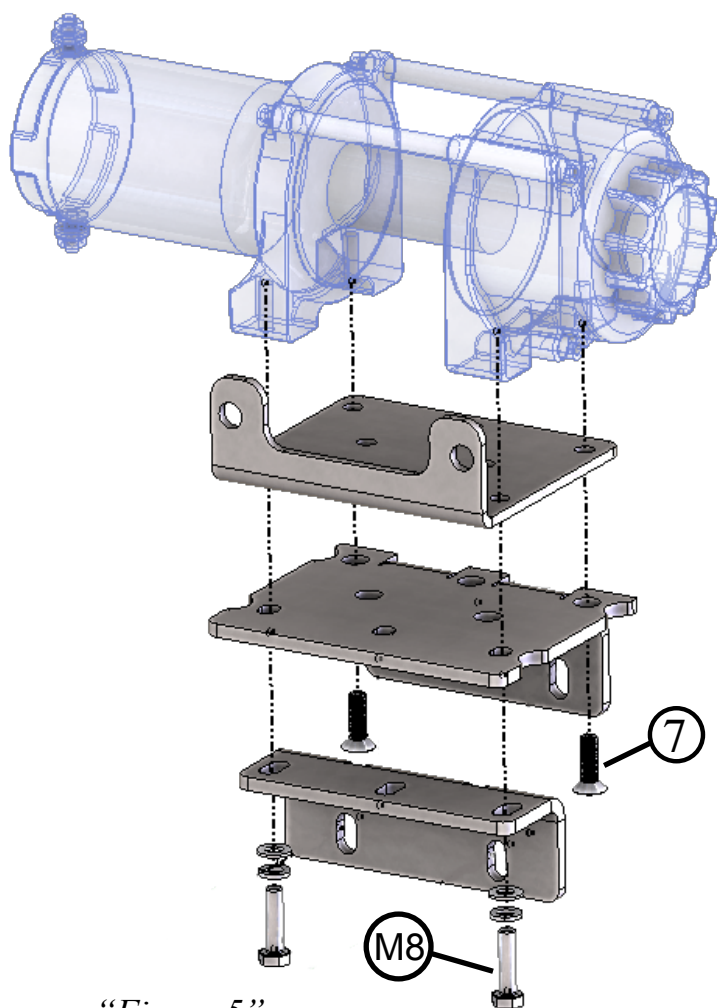
Note: There are three different winch applications. First the 2-Hole, then the Standard and followed by the WIDE winch.

2-Hole Winch: Attach the 2-Hole winch to the mount Per Figure 4.

- Insert the M8-1.25 X 35mm bolt that came with your winch down through the front of the winch and into the three piece mount and loosely tighten.
- Then go up through the rear hole of the mount using the M8 Flat head socket cap bolt (Item #7) and tighten down the M8 Flange Nut (Item #8).



“Figure 4”



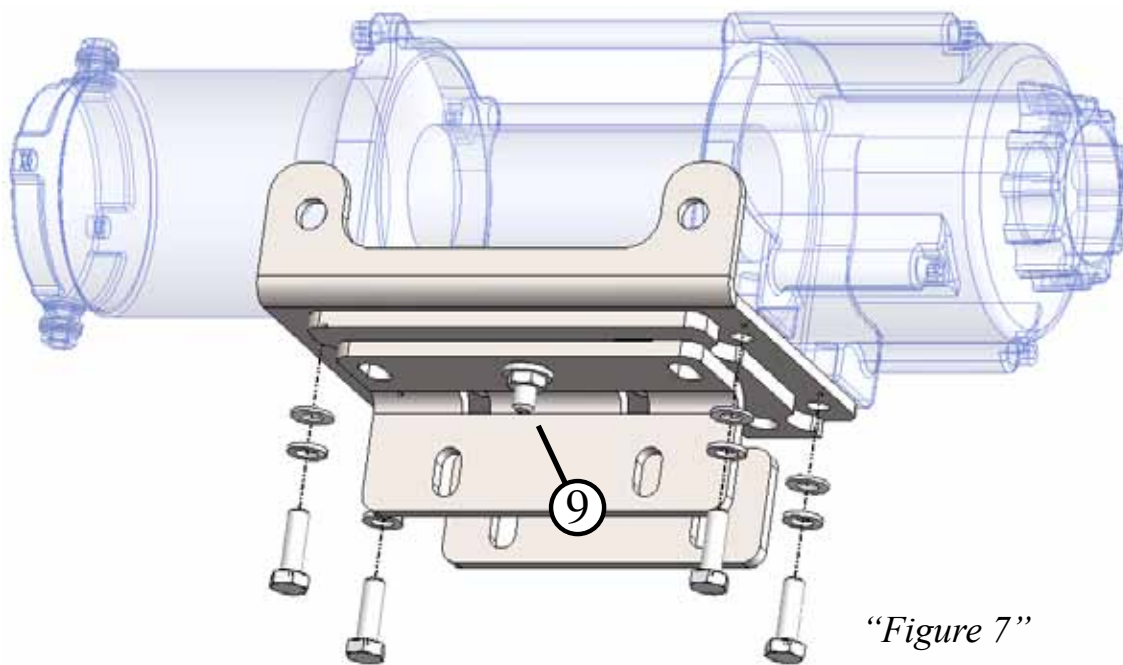
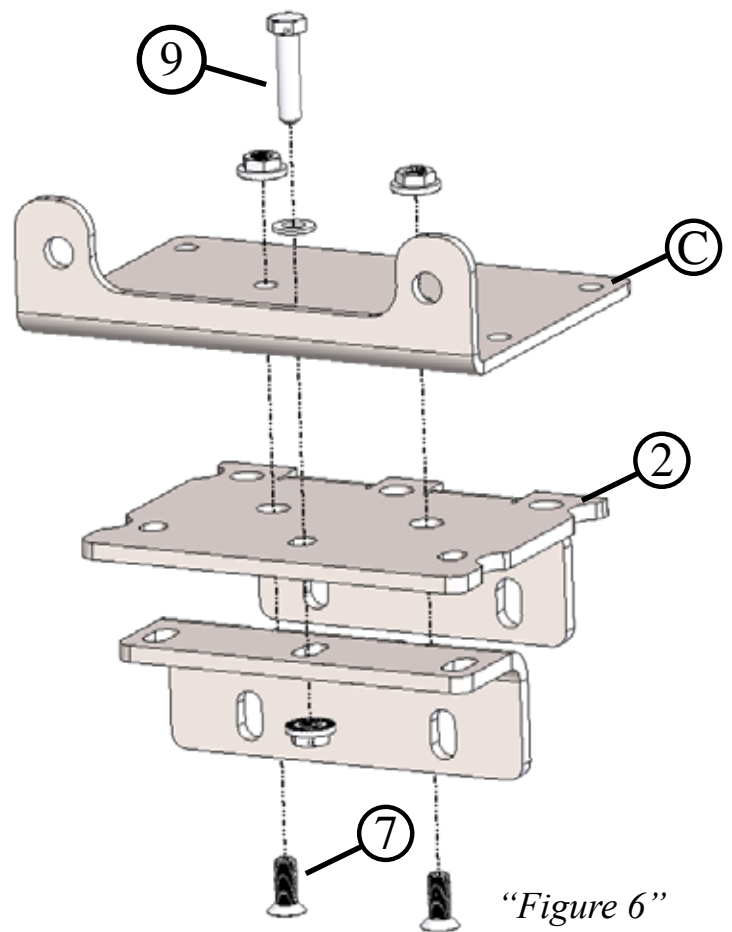
“Figure 5”

Standard Winch: Attach the Standard winch to the mount Per Figure 5.

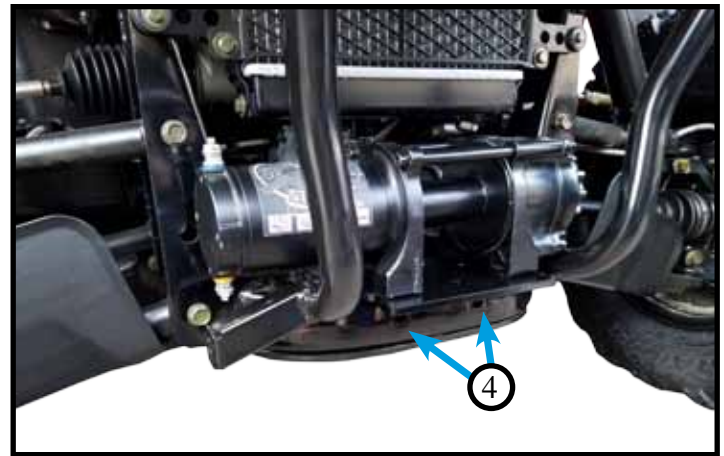
- Using the two M8-1.25 X 30 bolts that came with your winch go through the two front holes and mount the front of the winch down and loosely tighten.
- Bolt the rear of the winch tightly down using the two M8-1.25 x 25mm Flat head socket cap bolts (Item #7).

WIDE Winch: Attach the WIDE winch to the mount Per Figures 6 & 7.

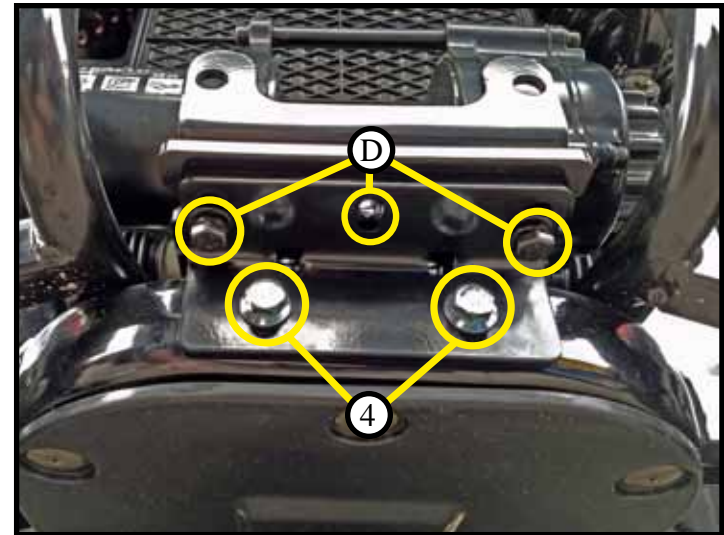
- Attach the WIDE roller fairlead bracket (C) provided with your winch to the mount (Item #2), using the M8 Flat head socket cap bolt (Item #7) and tighten down the M8 Flange Nut (Item #8).
- Attach the M8-1.25 X 35mm Hex Bolt (Item #9) to the front center hole and loosely tighten. Shown in Figures 6 & 7.
- Attach the WIDE Winch to the fairlead bracket using the hardware provided with your winch. Shown in Figure 7.



4. Set the assembly inside the frame. Line up the holes on the front of the frame to the mounting holes in the back. As shown in Figures 8 & 9.
5. Using the 3/8 Hex bolts (Item #4) go through the two front mount holes, into the frame and out the rear mount holes. Attach the 3/8 flange nylock (Item #5) nuts on the back side and tighten down. Shown in Figures 8, 9 & 10.
6. Tighten down the front winch bolts (D) on the mount that were previously left loose.
7. Reattach the front plastic and bolt your fairlead rollers to the fairlead bracket on the mount.



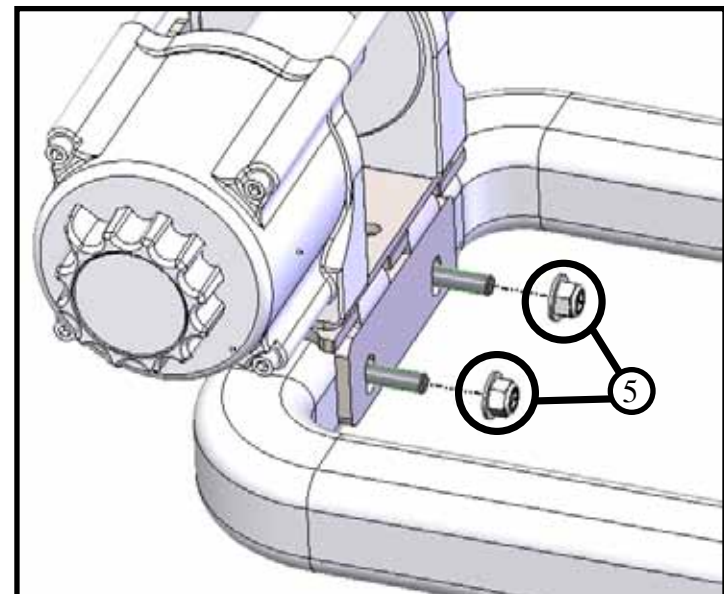
“Figure 8”



“Figure 9”

WIRING INFORMATION

1. The battery location is under the seat on the driver’s side.
2. We recommend mounting the contactor on the outside of the battery tray. You will have to drill four 1/4” holes using the contactor as a template. Then drill a larger hole for the battery wires to go through.
3. Use the wiring diagram in your winch manual to see how the winch is wired.
4. Find a location that suits your purposes for the mini-rocker switch and hand remote.
5. Mini-Rocker Switch Hardware kit. This allows you to mount your usual handle bar mounted switch to almost any desired location.
 - a. Remove handlebar mount hardware from the switch.
 - b. Locate desired mounting location
 - c. Mark and drill two switch holes through dash using switch housing as a template
 - d. Drill a 3rd hole for the switch wiring.
6. Wire the red ignition wires from controllers to the red (+) wire on the accessory plug using the supplied connector.



“Figure 10”

