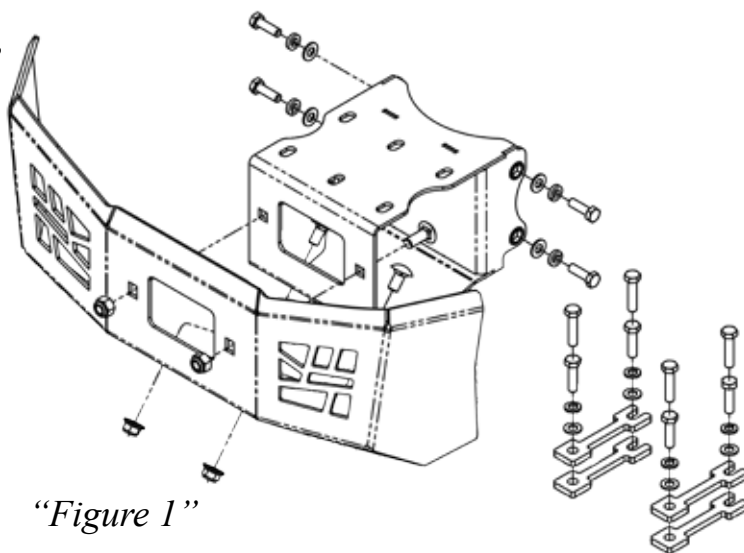


POLARIS SPORTSMAN ACE

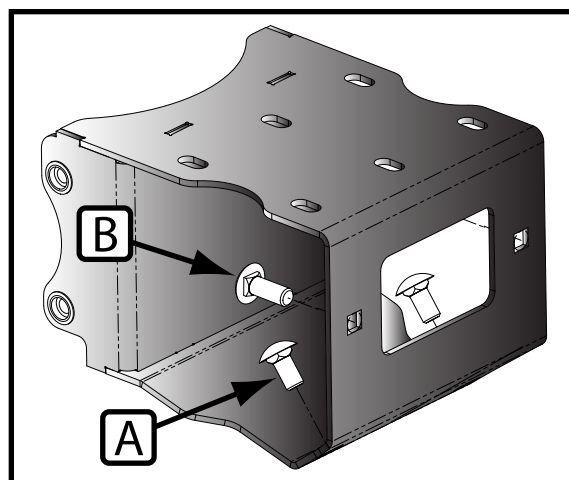
Winch Mount PART # 101180
 Hardware Kit: HK-040, HK-031,
 HK-314

Kit Components:

| Qty. | Part Description |
|--|--|
| 1..... | Winch Mount Plate (101181) |
| 1..... | Winch Guard (101184) |
| 4..... | Winch Spacer (101191) |
| 4..... | 5/16"-18 x 1" Hex Bolt |
| 4..... | 5/16" SAE Flat Washer |
| 4..... | 5/16" Lock Washer |
| 2..... | 3/8"-16 x 3/4" Shortneck Carriage Bolt |
| 2..... | 3/8" Nylock Nut |
| 2..... | 3/8"-16 x 1" Shortneck Carriage Bolt |
| 2..... | 3/8" Nylock Flanged Nut |
| 2..... | 1/4"-20 x 1-1/2" Self-Tapping Screw |
| 4..... | M8 Flat Washer Zinc |
| 4..... | M8 Lock Washer Zinc |
| 4..... | M8-1.25 x 30 Hex Bolt GR8.8 Zinc |
| 4..... | M8-1.25 x 35 Hex Bolt GR8.8 Zinc |
| 1..... | UTV Mini Rocker Kit (HK-031) |
| Hardware Included but NOT Used. | |
| 2..... | 1/4"-20 x 1" Hex Bolt (Not Used) |
| 2..... | 1/4"-20 Nylock Nut (Not Used) |
| 2..... | 1/4"-20 SAE Flat Washer (Not Used) |
| 1..... | M6-1.0 x 18mm Hex Bolt (Not Used) |
| 1..... | 22-18GA Insulated Male Terminal (Not Used) |



“Figure 1”



“Figure 2” Carriage Bolt Install

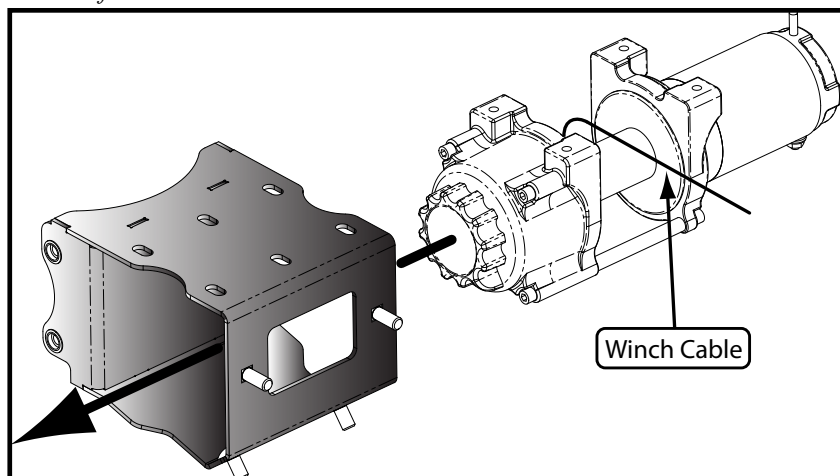
INSTALLATION INSTRUCTIONS:

KFI Winch Install

If you are installing a winch other than a KFI winch see Page 3.

1. Install the 3/4" (A) and 1" (B) Carriage Bolts as shown in Figure 2.
2. Place your KFI Winch into position as shown in Figure 3.
Winch must be in this position so that the cable runs between the spool and the mounting surface.

Note: It is beneficial to let out about a foot of cable to make feeding the cable through your roller fairlead easier.

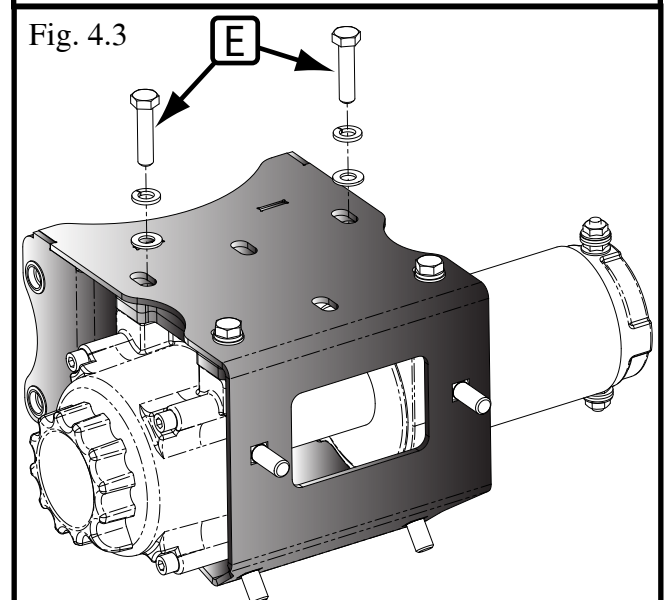
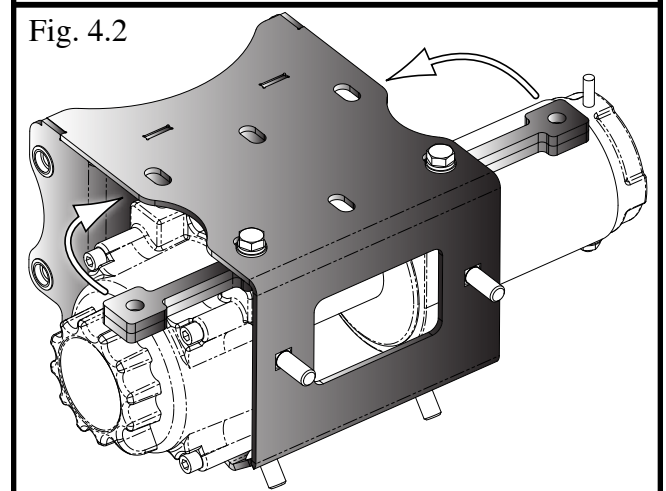
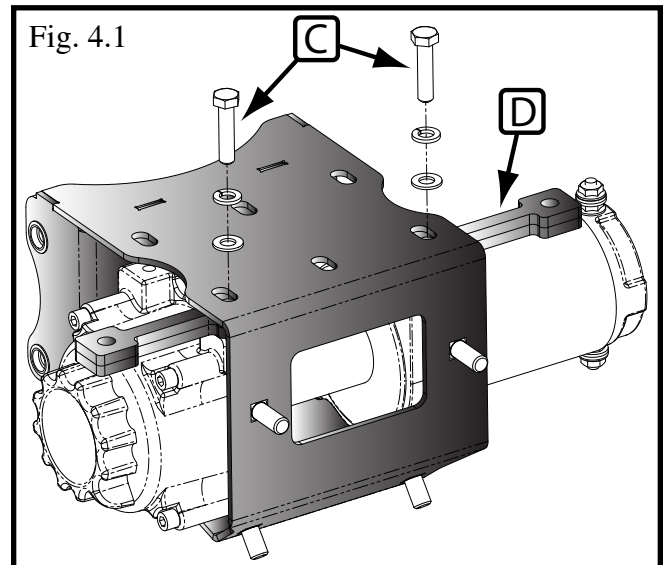


“Figure 3” KFI Winch Install and Position

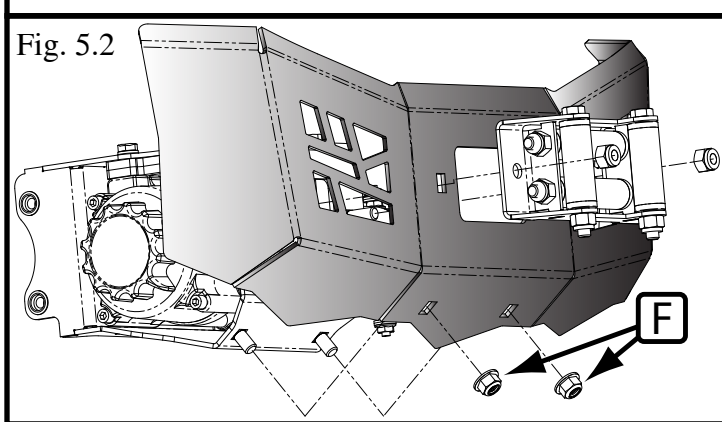
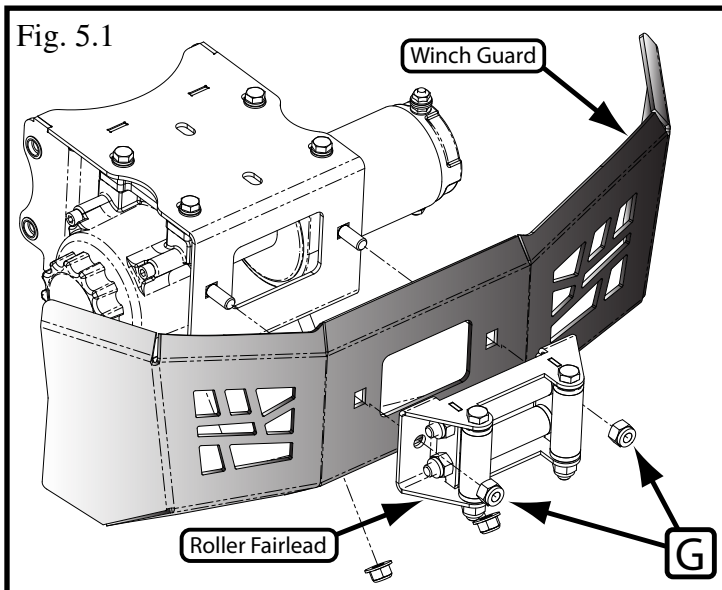
- Loosely install the front M8 x 35mm Bolts (C) and winch spacers (D) as shown in Fig. 4.1. Then swing the spacers in (Fig. 4.2) and install the rear M8 x 35mm winch bolts (E) as shown in Fig. 4.3.

Note: The KFI winch requires all 4 spacers. It is beneficial at this point to let out about a foot of cable to make feeding the cable through your roller fairlead easier.

- Install the blue and yellow power wires to your winch motor leads as shown in your winch manual.
- Place the Winch Guard and Roller Fairlead over the winch and mount assembly. Secure the upper portion of the Winch Guard and Fairlead Bracket using the 3/8" Nylock Nuts (Fig. 5.1 G). Secure the lower portion of the Winch Guard using the 3/8" Flanged Nylock Nuts (Fig. 5.2 F).
- Tighten all Bolts and Nuts.
- See Page 4 for final install instructions.



“Figure 4” Bolt and Spacer Install



“Figure 5” Guard and Fairlead Install

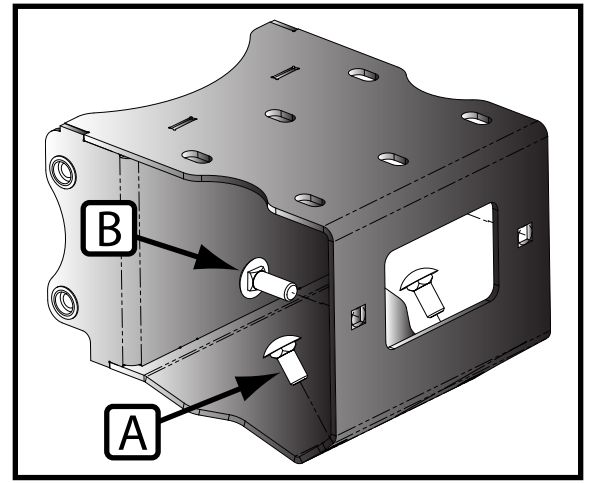
Off Brand Winch Install

If you are installing a KFI winch see Page 1 .

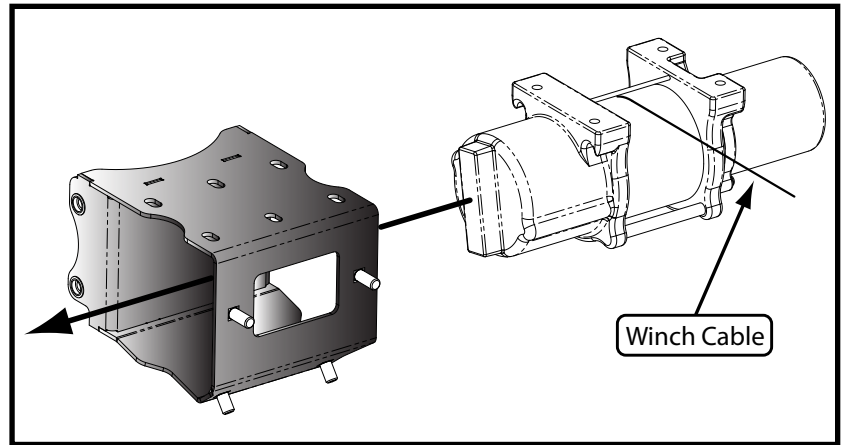
1. Install the 3/4" (A) and 1" (B) Carriage Bolts as shown in Figure 6.
2. Install the blue and yellow power wires to your winch motor leads as shown in your winch manual.
3. Place your winch into position as shown if Figure 7.
Winch must be in this position so that the cable runs between the spool and the mounting surface.

Note: It is beneficial to let out about a foot of cable to make feeding the cable through your roller fairlead easier.

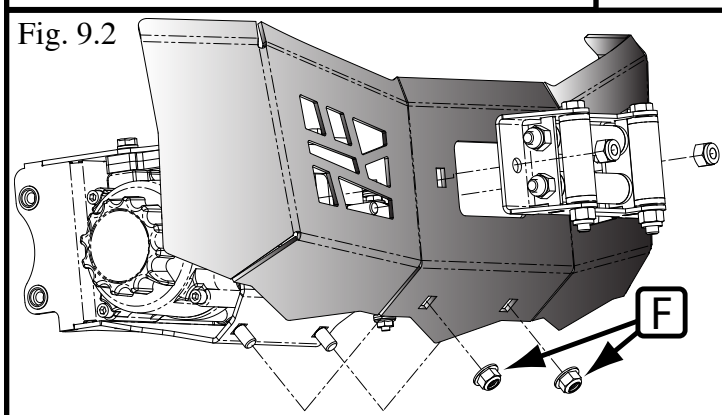
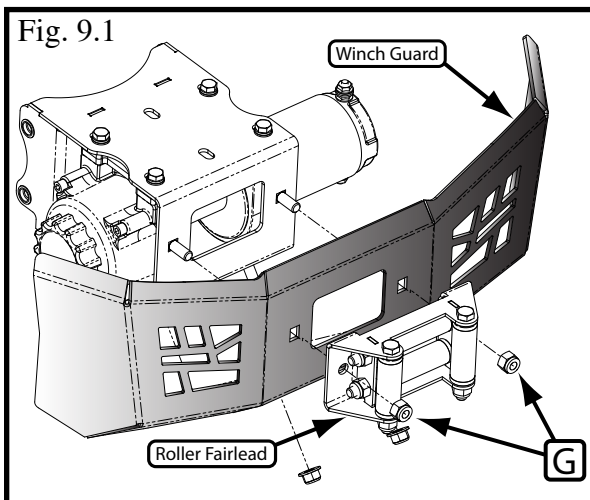
4. Secure the winch using the hardware supplied with your winch. See Figure 8.
5. Place the Winch Guard and Roller Fairlead over the winch and mount assembly. Secure the upper portion of the Winch Guard and Fairlead Bracket using the 3/8" Nylock Nuts (Fig. 9.1 G). Secure the lower portion of the Winch Guard using the 3/8" Flanged Nylock Nuts (Fig. 9.2 F).
6. Tighten all bolts and nuts.
7. See Page 4 for final install instructions.



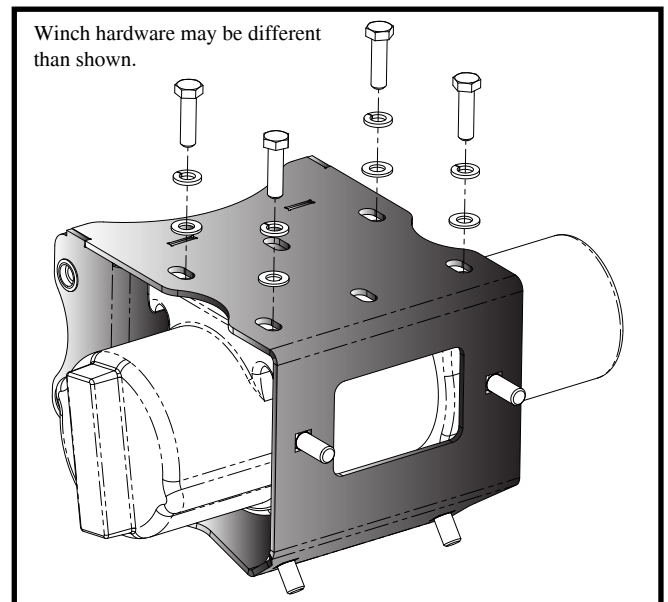
“Figure 6” Carriage Bolt Install



“Figure 7” Winch Install and Position



“Figure 9” Guard and Fairlead Install



“Figure 8” Winch Bolts Install

!!Warning!! Make sure to use the bolts supplied with your winch.

Final Install Steps

If you have not yet done steps 1-7 go back to page 1 or 3 depending on what winch you have.

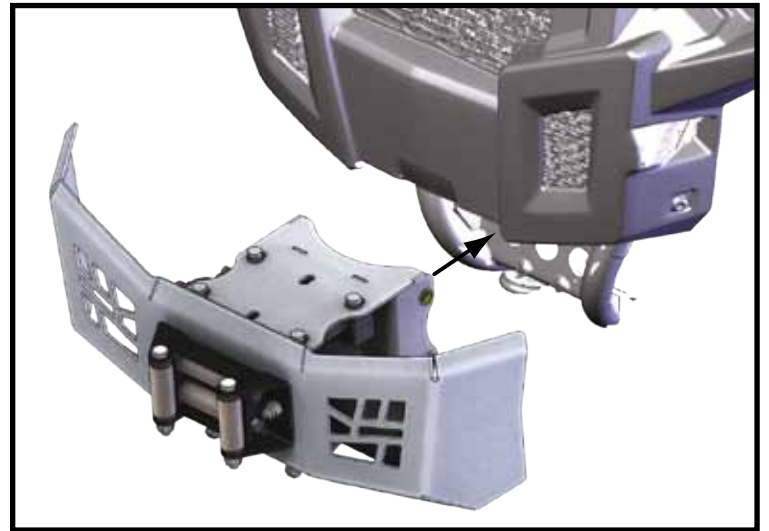
8. Take off lower front panel by removing bolts (H) as shown in Figure 10. Reinstall upper bolts immediately after removing panel.
9. Place mount assembly into position on machine as shown in Figure 11.
10. Align threaded inserts with holes (I) in machine and install using 5/16" bolt, lock washer and washer supplied with the mount as shown in Figures 12&1.

!!Warning!! Make sure to use the 5/16" bolts supplied with the mount or you WILL strip the threads.

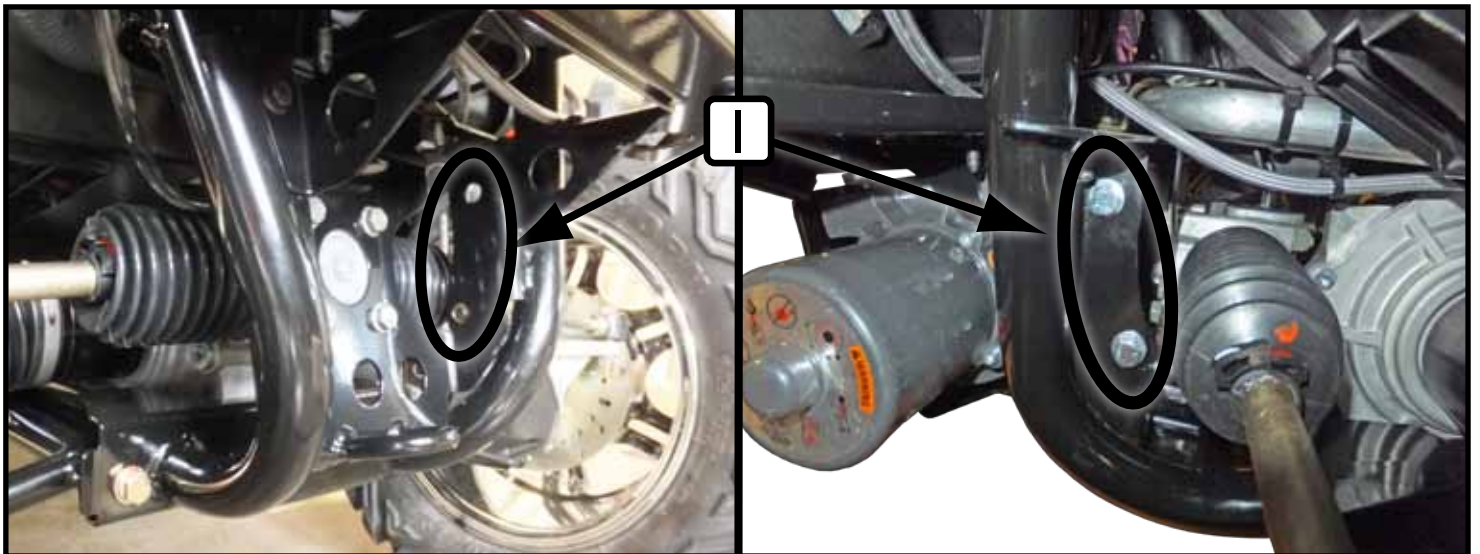
11. Tighten all Bolts evenly.



"Figure 10" Lower Front Panel Removal



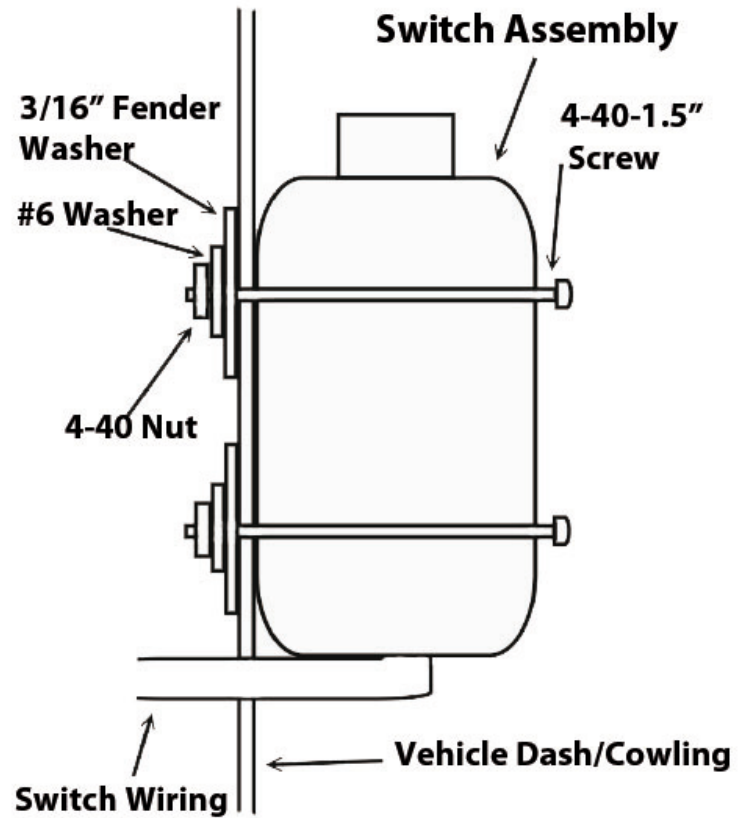
"Figure 11" Mount Assembly Install



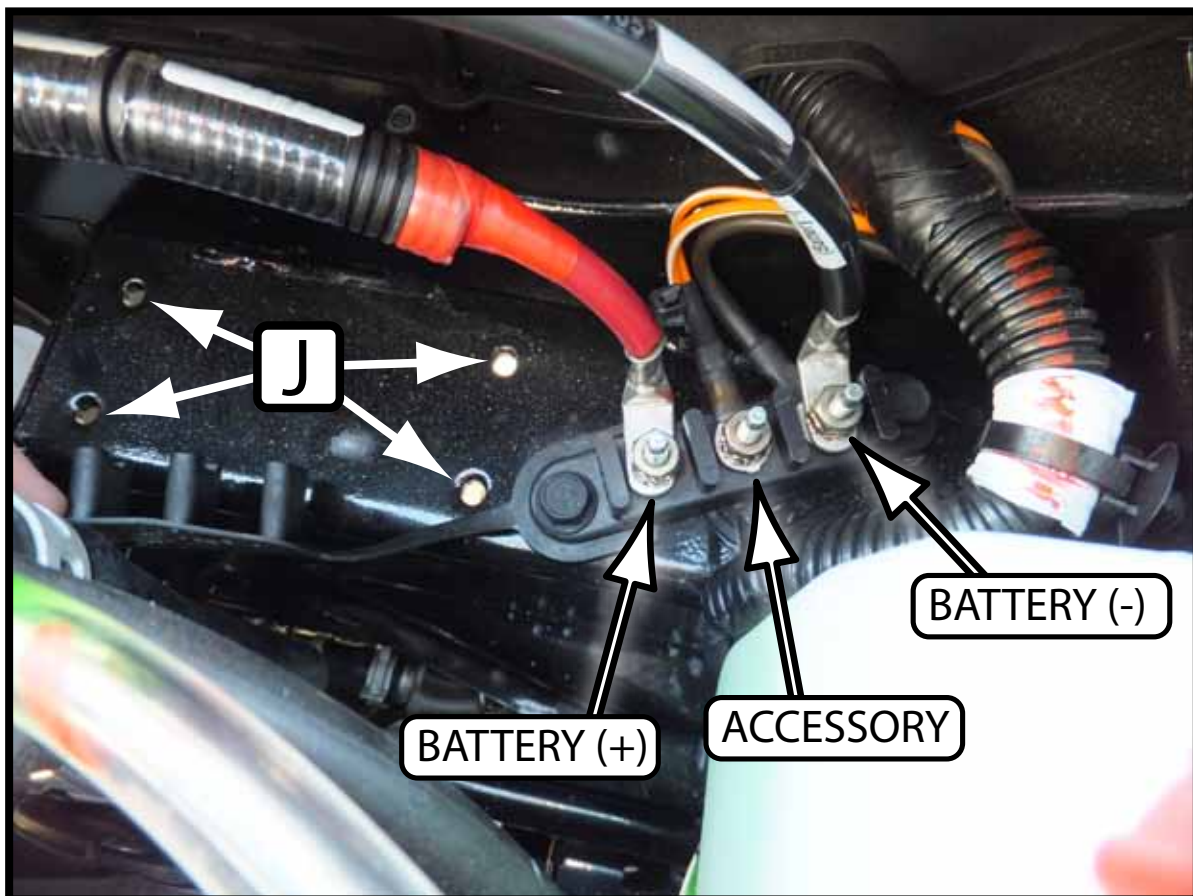
"Figure 12" Mounting Bolts Location

WIRING INFORMATION

1. For contactor location please see “Figure 14 (J)”. Use the 1/4” Self Tapping Screws supplied in the hardware kit to secure the contactor in place.
2. Mini-Rocker Switch Hardware kit. This allows you to mount your usual handle bar mounted switch to almost any desired location.
 - a. Remove handlebar mount hardware from the switch.
 - b. Locate desired mounting location
 - c. Mark and drill two switch holes through dash using switch housing as a template
 - d. Drill a 3rd hole for the switch wiring.
 - e. Assemble per Figure 13.
3. Find a location that suits your purposes for the mini-rocker switch and hand remote.
4. Wire the red ignition wires from mini rocker/hand remote to the orange (+) wire on the accessory post as shown in Figure 14.



Optional Switch Mount Instructions*
"Figure 13" Mini-Rocker Mounting



"Figure 14" Wiring/Contactor Location
(This is located under the panel in the front storage area)