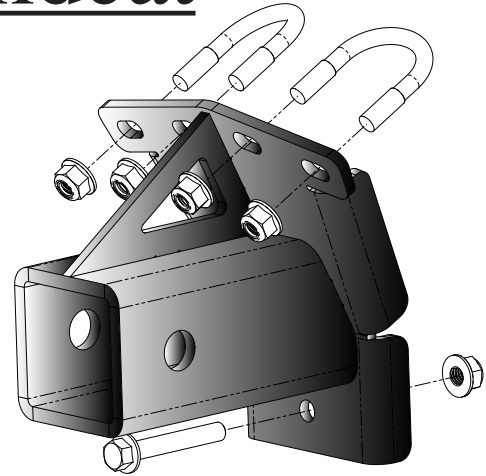


# Arctic Cat Wildcat

Rear Receiver            PART # 101135  
                                 Hardware Kit: HK-148

## Kit Components:

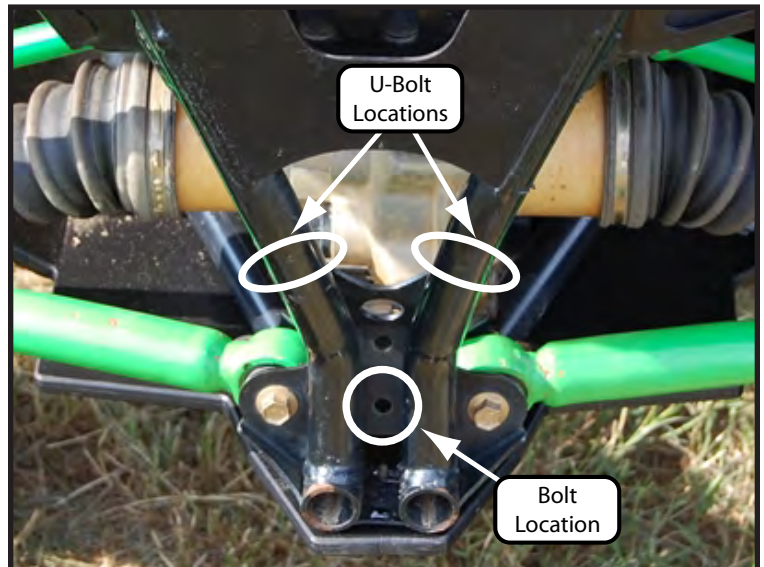
Qty.	Part Description
1.....	Receiver Plate
2.....	5/16"-18 U-Bolt
2.....	3/8"-16 x 1 1/4" Flange Bolt (Not Used)
2.....	3/8"-16 Nylock Flanged Nut (Not Used)
1.....	5/16"-18 x 2" Flange Bolt
5.....	5/16"-18 Nylock Flange Nut



*"Figure 1"*

## INSTALLATION INSTRUCTIONS:

1. Place U-bolts over the frame as shown in Figures 1&2.
2. Loosly install the receiver to the u-bolts using the 5/16" flange nuts.
3. Install the 5/16 x 2" flange bolt and nut through the bottom hole in the receiver and the hole in the frame, as shown in Figures 1-3.
4. Tighten down all bolts, be sure to make the u-bolt ends the same length.



*"Figure 2" Hardware Locations*



*"Figure 3" Receiver Installed*

