

# CAN-AM MAVERICK

Rear Receiver            PART # 101125  
 Hardware Kit: HK-309, HK-031

**Kit Components:**

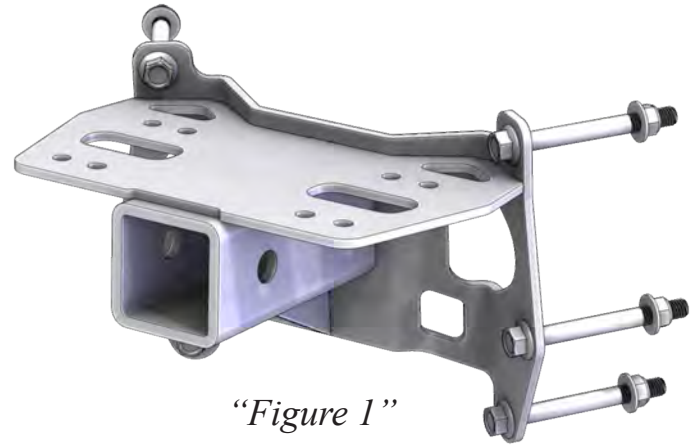
Qty.	Part Description
1.....	Receiver Plate
6.....	3/8"-16 x 3.5" Hex Flange Bolt
6.....	3/8" Flanged Nylock Nut
1.....	UTV Mini Rocker Kit (HK-031)

**INSTALLATION INSTRUCTIONS:**

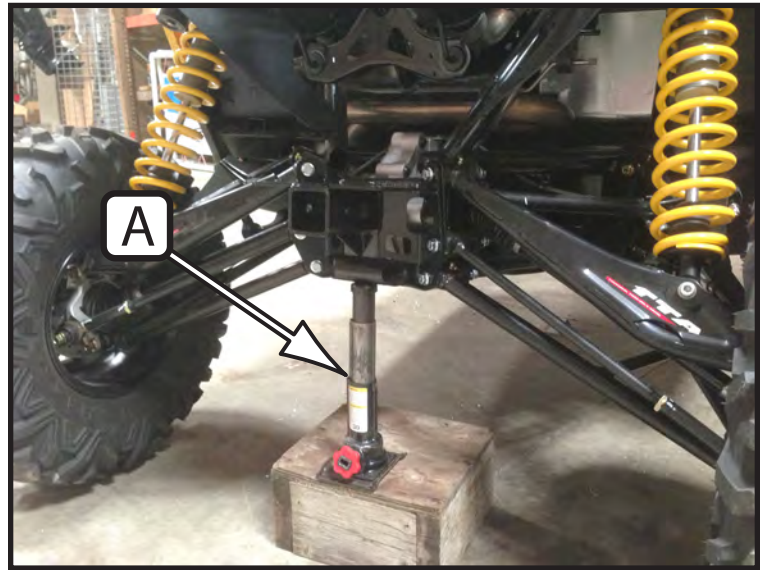
1. Use a jack (A) to raise up the rear end; taking pressure off of the rear a-arms.

*Note: You may need to raise or lower this while removing or installing the new bolts. There is NO specific height that works best.*

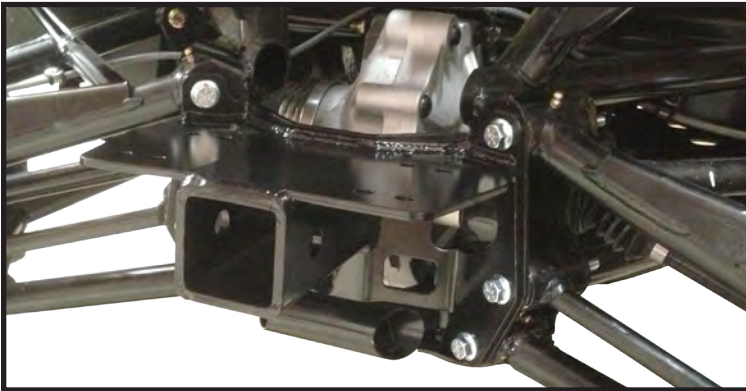
2. Remove all 6 a-arm bolts (B) as shown in Figure 3.
3. Place mount up to frame and install using 3.5" bolts and nuts provided in the hardware kit. See Figure 4. **Note: Torque bolts to 48 ft-lbs.**
4. If installing a winch see Figure 5. Use hardware provided with your winch. See winch manual for wiring, Page 2 for tips.



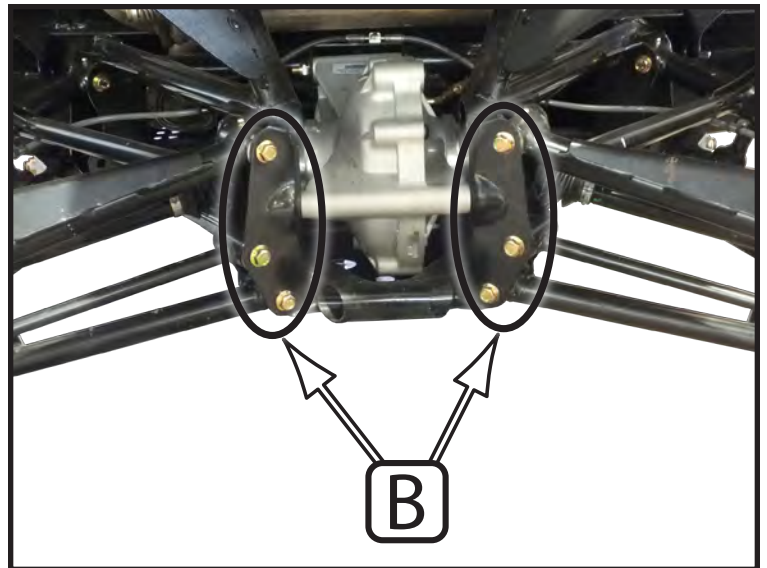
*"Figure 1"*



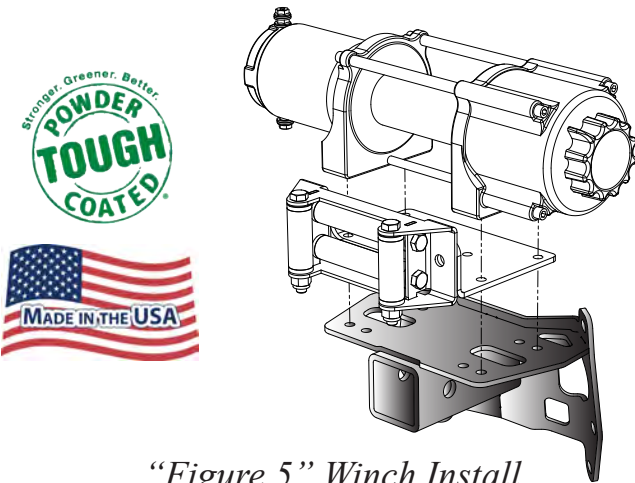
*"Figure 2" Raising the Rear End*



*"Figure 4" Mount Install*



*"Figure 3" Bolt Removal*



*"Figure 5" Winch Install*

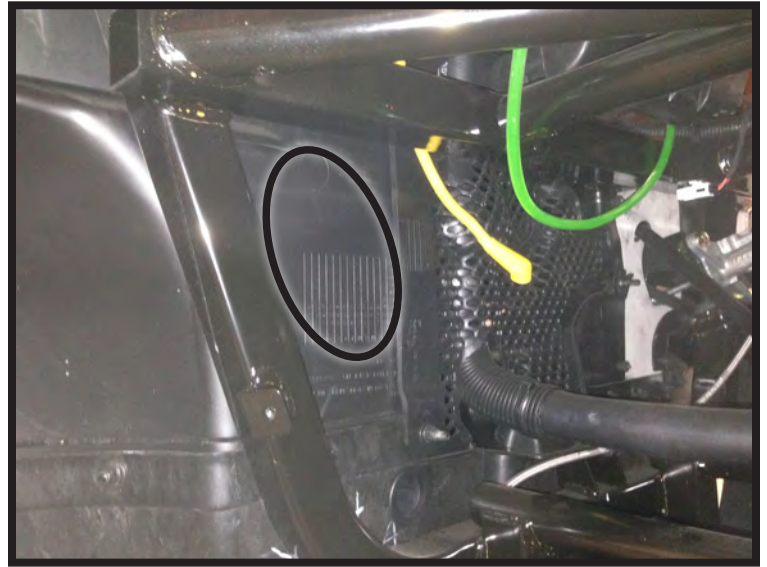
## WIRING INFORMATION

1. For contactor location please see “Figure 6”.

*Note: This is located behind the radiator on the passenger side of the machine. This is just a suggestion that will work with the wiring provided with the winch.*

*The wires will need to be switched for this machine. The longer wires (Blue/Yellow) will be used to go from the battery to the contactor. The shorter wires (Black/Red) will be used to go from the winch to the contactor.*

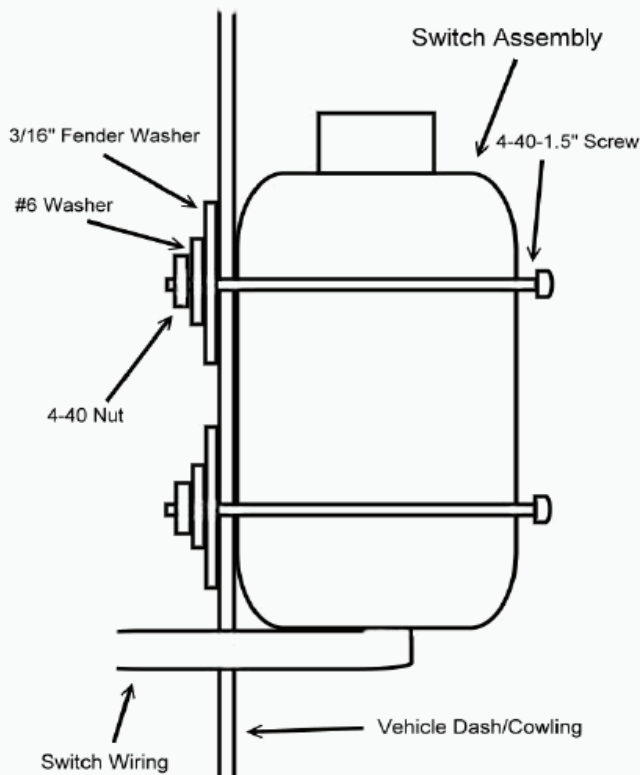
2. Mini-Rocker Switch Hardware kit. This allows you to mount your usual handle bar mounted switch to almost any desired location.
  - a. Remove handlebar mount hardware from the switch.
  - b. Locate desired mounting location
  - c. Mark and drill two switch holes through dash using switch housing as a template
  - d. Drill a 3rd hole for the switch wiring.
  - e. Assemble per Figure 8.
3. Find a location that suits your purposes for the mini-rocker switch and hand remote.
4. Wire the red ignition wires from the controllers to a key controlled wire. Usually a good spot for this is the red wire on the accessory plug.



“Figure 6” Contactor Location



“Figure 7” Battery Location  
(Battery is located under panel in the bed.)



### Optional Switch Mount Instructions\*

“Figure 8” Mini-Rocker Mounting