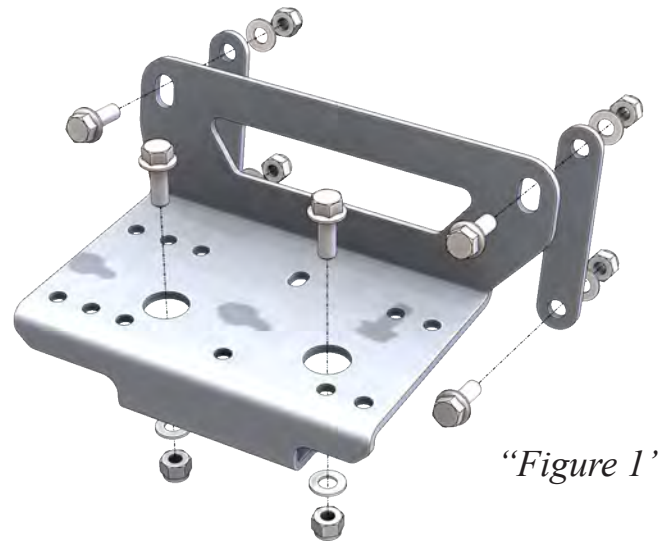


# JOHN DEERE GATOR XUV550/R SX850i

Winch Mount            PART # 100940  
 Hardware Kit: HK-056, HK-031

**Kit Components:**

Qty.	Part Description
1.....	Winch Mount Plate
2.....	Strength Plate
6.....	3/8"-16 x 1" Hex Flange Bolt
6.....	3/8"-16 Hex Flange Nut
6.....	3/8" Flat Washer
1.....	UTV Mini Rocker Kit (HK-031)
8.....	3/8"-16 Nylock Nut (Not Used)
2.....	5/16"-18x1" Hex Flange Bolt (Not Used)
2.....	5/16" Flat Washer (Not Used)
2.....	5/16"-18 Nylock nut (Not Used)
2.....	3/8"-16x1-1/4" Carriage Bolt (Not Used)
1.....	22-18ga Spade Terminal (Not Used)



“Figure 1”

**INSTALLATION INSTRUCTIONS:**

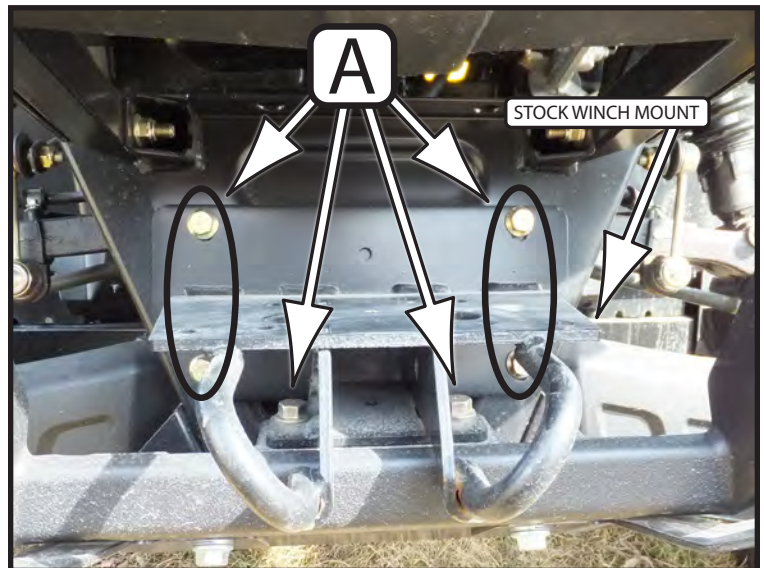
If there is a stock winch mount (Figure 1) installed follow Step 1, if not skip to Step 2.

1. Remove nuts, bolts and strength plates (A) as shown in Figures 2&3.

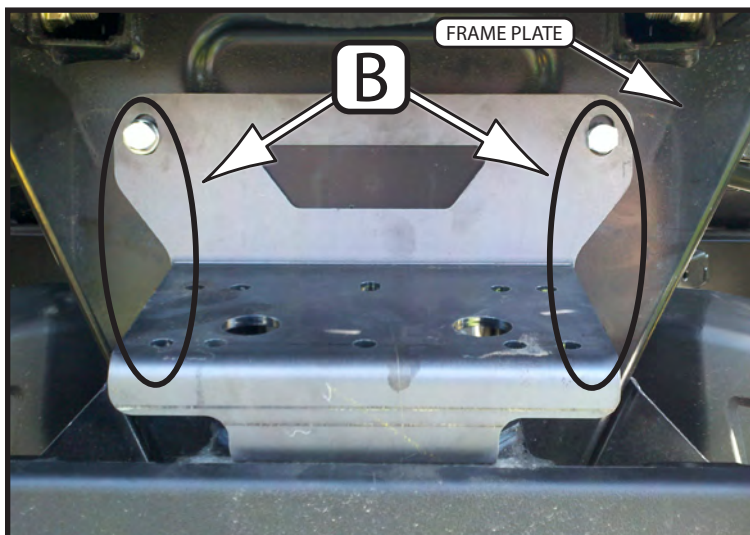
*Note: Be sure not to drop the nuts as they are very hard to get out.*

2. Place mount plate into position. Install rear bolts, nuts and strength plates (B) as shown in Figure 3. Leave the hardware loose at this time.

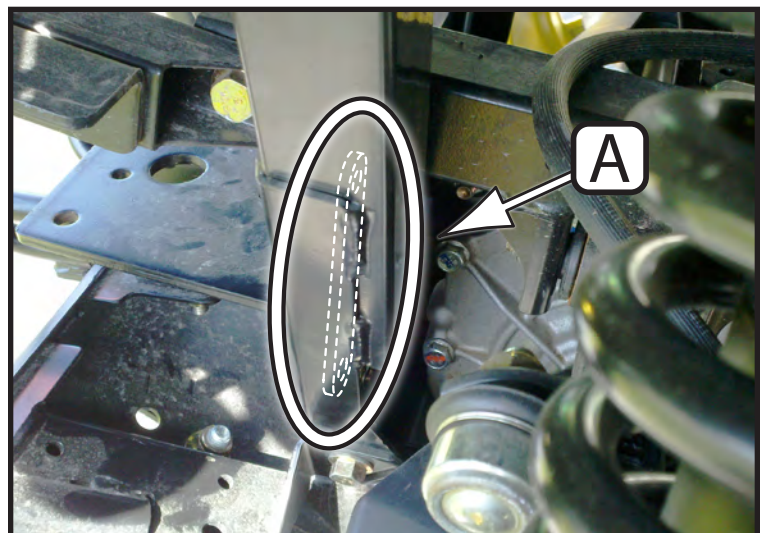
*Note: Strength plates go behind the frame plate. See Figure 3 for location.*



“Figure 2” Stock Mount Removal



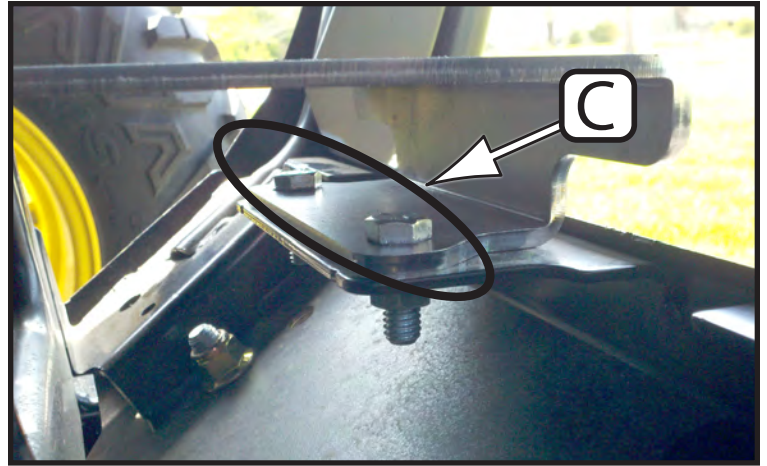
“Figure 4” Mount Plate and Strength Plate Install



“Figure 3” Strength Plate Location

*Note: Strength Plate is behind the frame.*

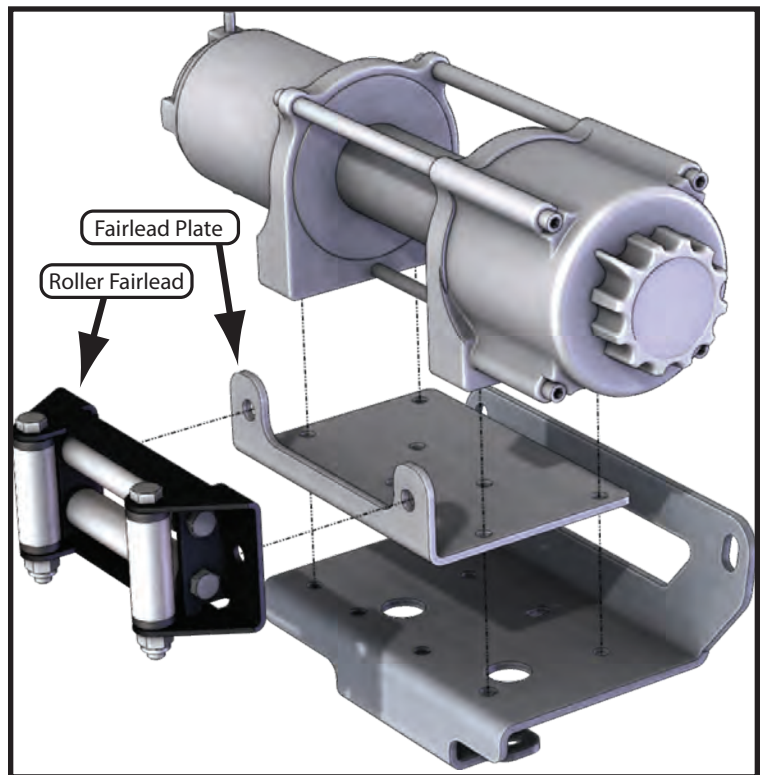
3. Bolt lower portion of mount plate using the remaining 3/8" hardware provided with your winch mount.
4. Tighten all mount hardware at this time.
5. Install roller fairlead to fairlead plate as shown in Figure 6 using the hardware provided with your winch.
6. Install fairlead bracket assembly and winch to winch mount using the hardware provided with your winch. See Figure 6. See Figure 7 for winch hole patterns.



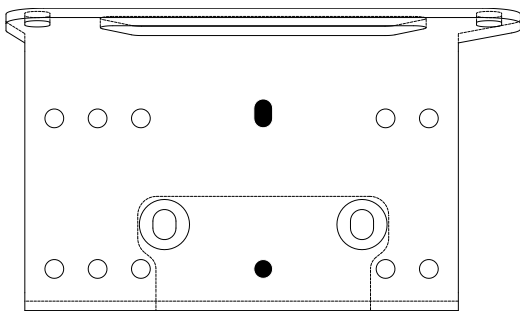
*"Figure 5" Winch Mount Lower Bolts Install*

*Note: On some winches it maybe easier to install wiring to the winch before installing the winch to the mount plate.*

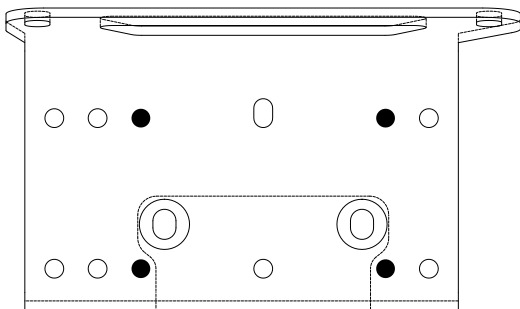
7. Use the instructions provided with your winch, wire accordingly.



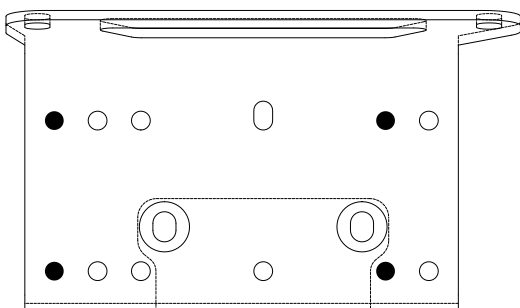
*"Figure 6" Fairlead Bracket and Winch Install*



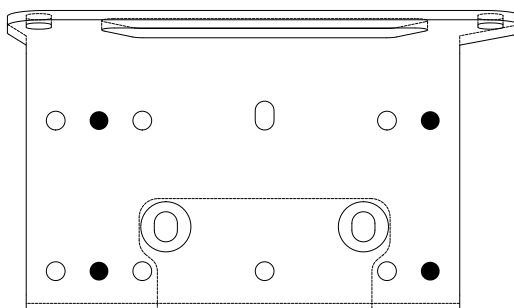
2 Hole Winch Pattern



Standard Winch Hole Pattern



XUV Wide Winch Hole Pattern



RSX Wide Winch Hole Pattern

*"Figure 7" Winch Hole Pattern*

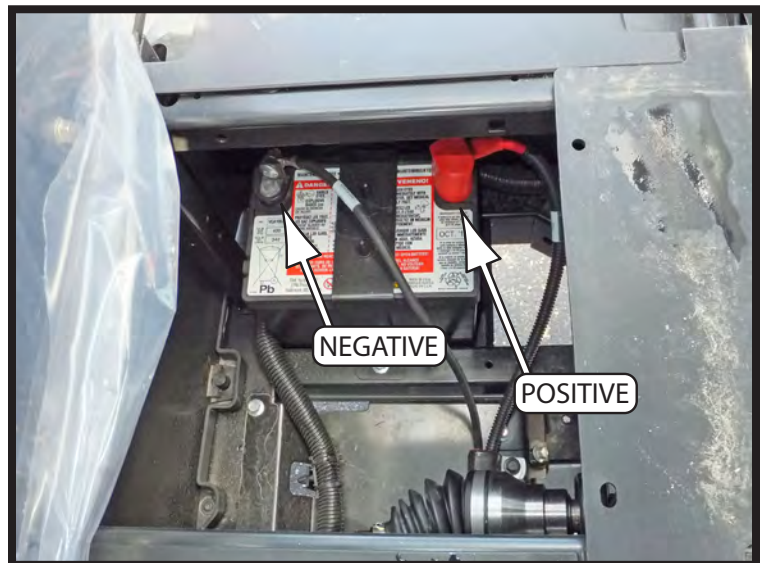


## WIRING INFORMATION

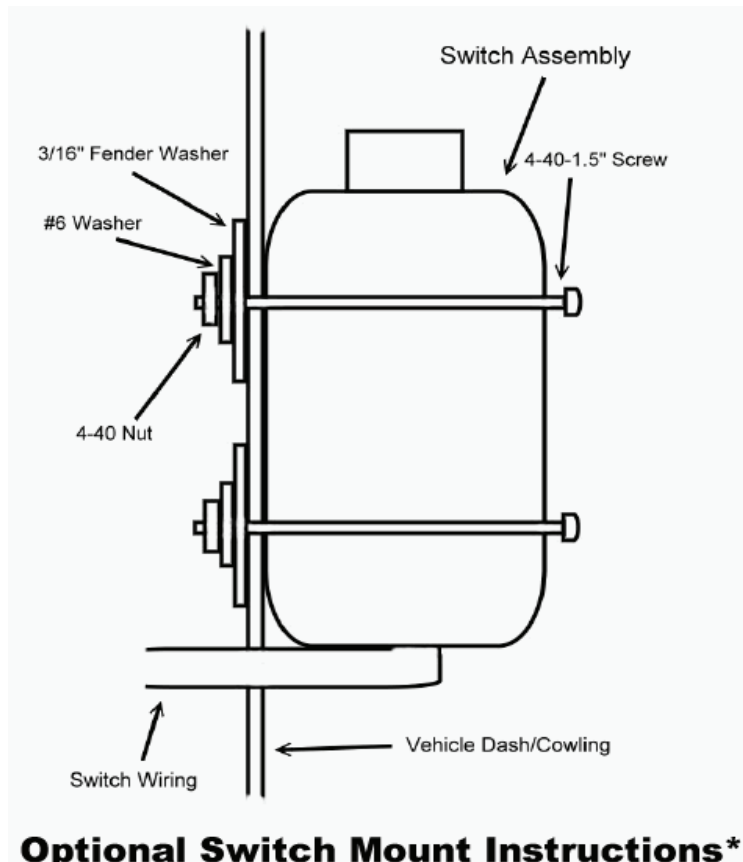
1. For contactor location please see “Figure 8”. *This is located under the hood of the machine.*
2. Mini-Rocker Switch Hardware kit. This allows you to mount your usual handle bar mounted switch to almost any desired location.
  - a. Remove handlebar mount hardware from the switch.
  - b. Locate desired mounting location
  - c. Mark and drill two switch holes through dash using switch housing as a template
  - d. Drill a 3rd hole for the switch wiring.
  - e. Assemble per Figure 10.
3. Find a location that suits your purposes for the mini-rocker switch and hand remote.
4. Wire the red ignition wires from controllers to a key controlled wire. Usually a good spot for this is the red wire on the accessory plug.



“Figure 8” Contactor Location



“Figure 9” Battery Location  
(Battery is located under steering column.)



### Optional Switch Mount Instructions\*

“Figure 10” Mini-Rocker Mounting