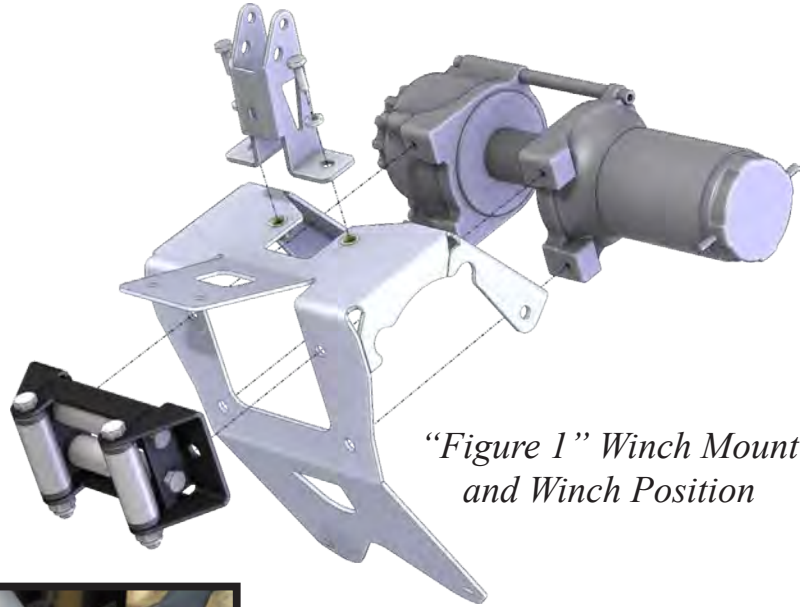


CAN-AM RENEGADE G2

Winch Mount PART # 100920
 Hardware Kit: HK-095

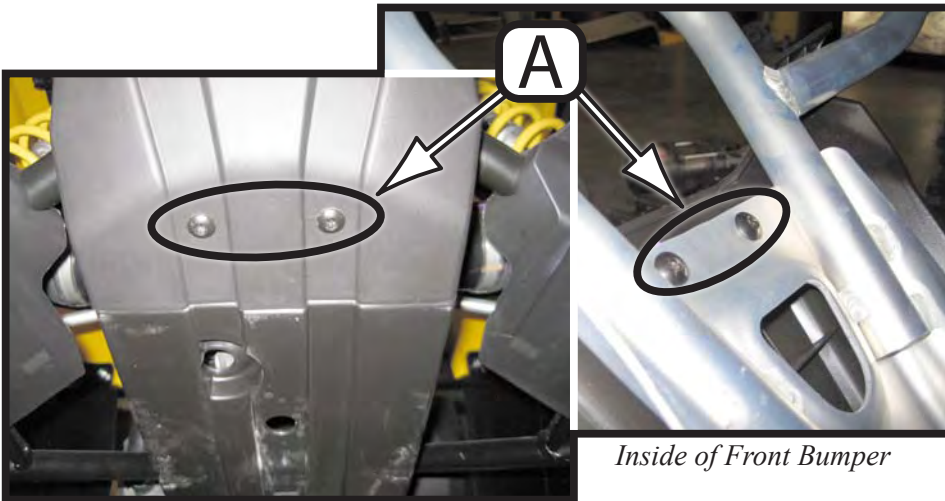
Kit Components:

Qty.	Part Description
1.....	Winch Mount Plate
1.....	Winch Mount Bracket
2.....	1/4" x 3/4" Bolt
2.....	1/4" Lock Washer



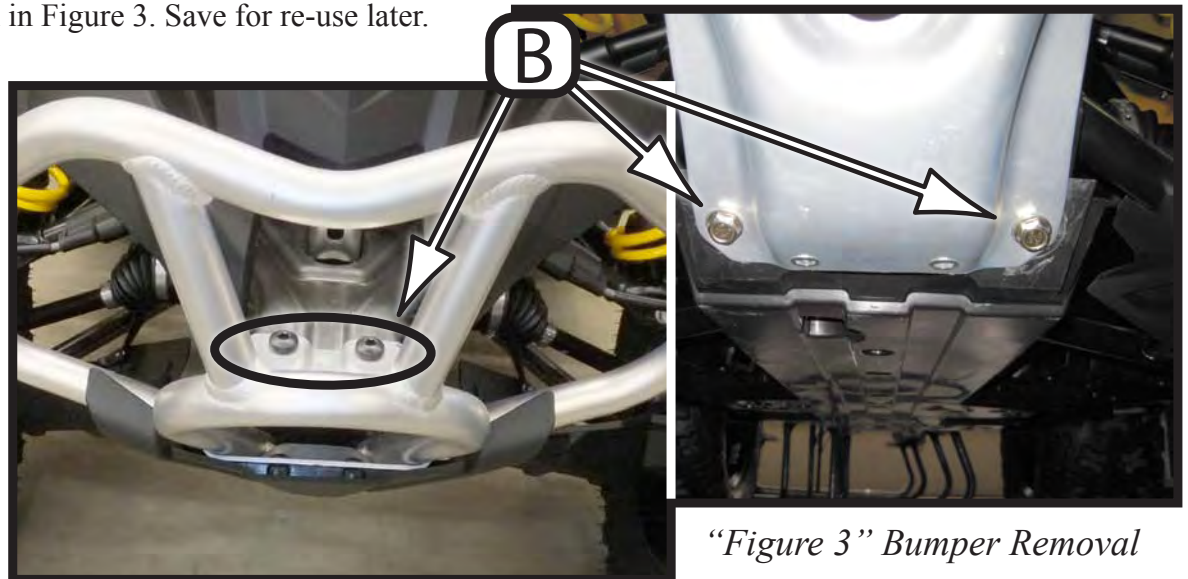
INSTALLATION INSTRUCTIONS:

1. Take off the plastic skid plate by removing the 4 Torx Bolts (A) as shown in Figure 2.

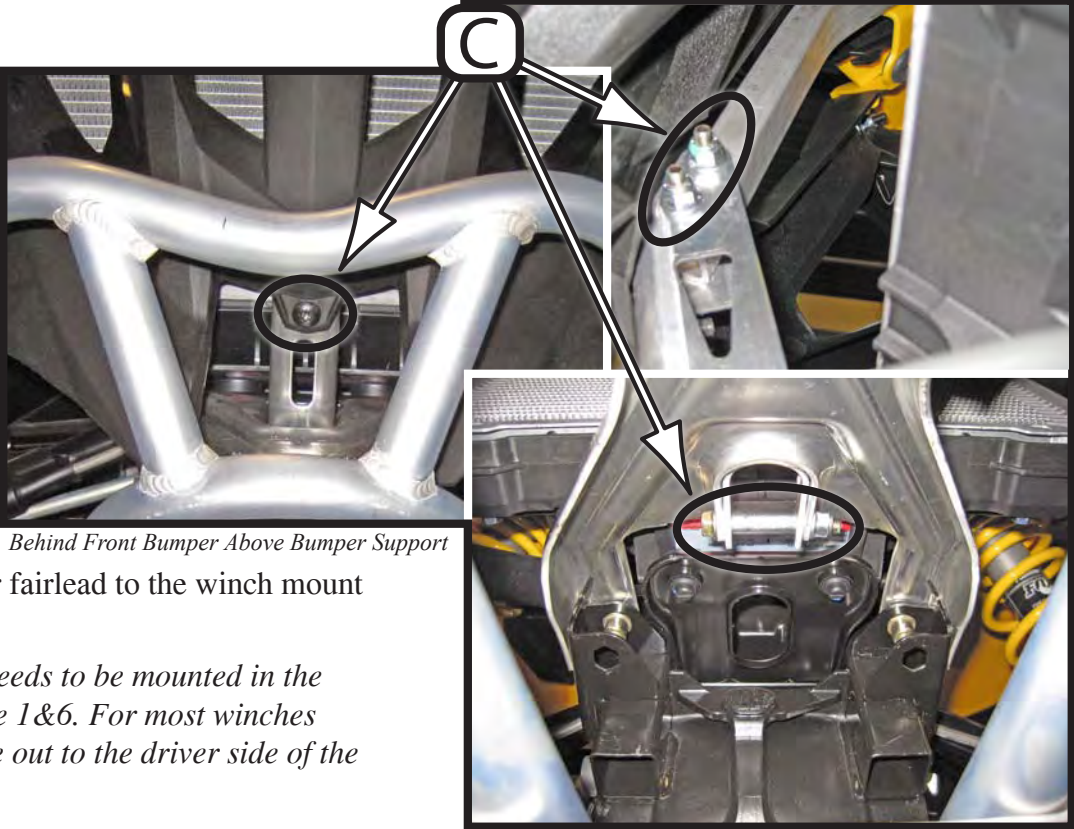


“Figure 2” Plastic Skid Plate Removal

2. Detach front bumper by removing 2 Torx Bolts, 2 Bolts and 4 nuts (B) as shown in Figure 3. Save for re-use later.



- 3. To take off the bumper support bracket remove the Torx bolt, 3 bolts and nuts (C) as shown in Figure 4. Save for re-use later.
- 4. Detach the bumper support by removing the 2 Bolts and Nuts (D) as shown in Figure 5.

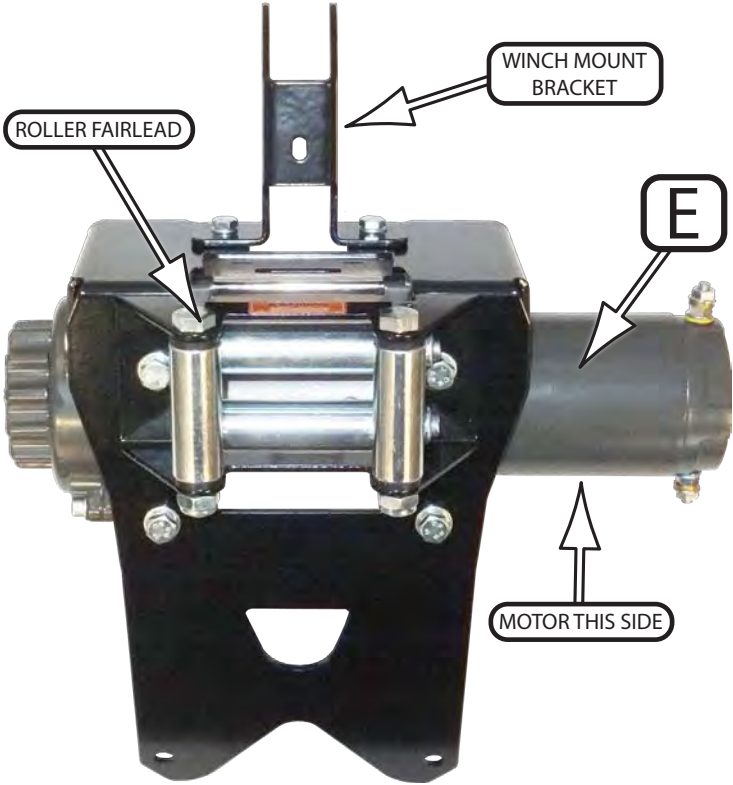


“Figure 4” Removal of Bumper Support Bracket

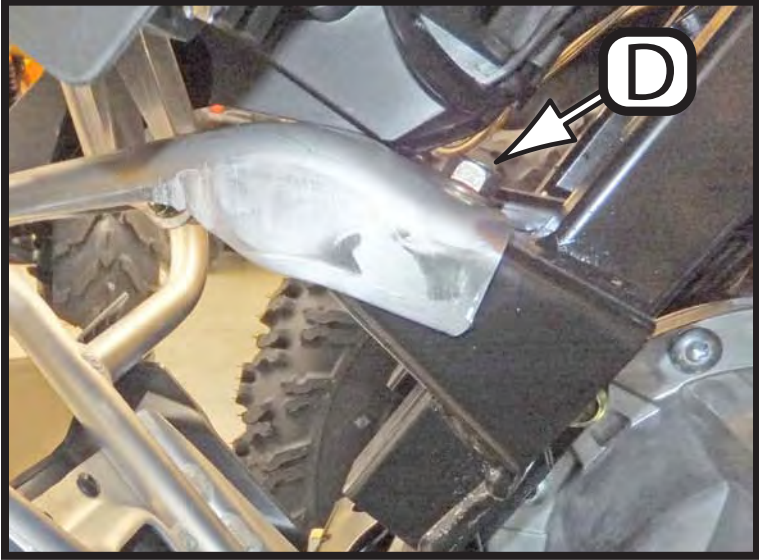
- 5. Install your winch and roller fairlead to the winch mount as shown in Figure 1&6.

Note: The Roller Fairlead needs to be mounted in the top holes as shown in Figure 1&6. For most winches the motor end needs to come out to the driver side of the mount. See Figure 6 (E).

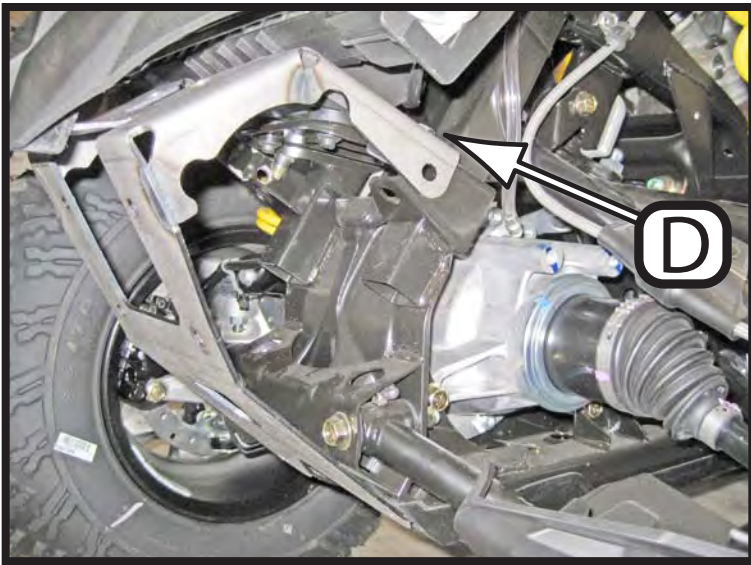
- 6. Install the winch mount bracket to the mount plate as shown in Figure 1&6 using the 1/4” bolt and lock washer supplied in the hardware kit.



“Figure 6” Winch and Fairlead Install



“Figure 5” Bumper Support Removal



“Figure 7” Mount Plate Assembly Install

7. Install the winch mount plate assembly in place of the front bumper support using the bolts (D) removed in step 4. See Figure 7.

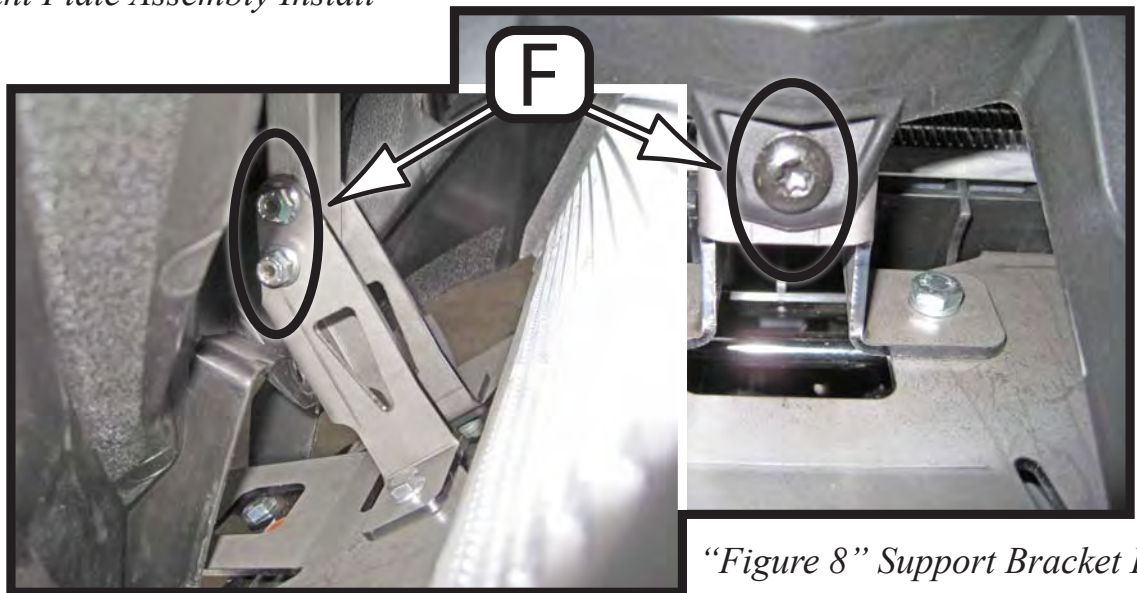
Note: shown without winch installed for clarity.

8. Install the support bracket to the machine using the hardware removed in step 3. See Figure 8 (F) for install of hardware.

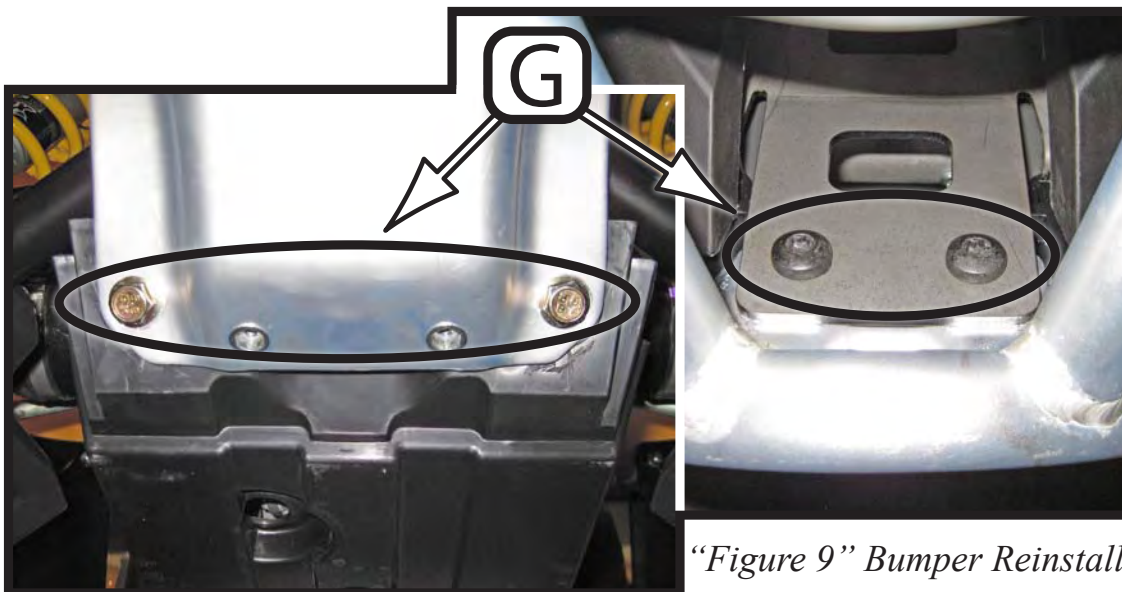
Note: there will be a longer bolt and nut left over that will not be used, you may discard this if you wish.

9. Reinstall the bumper using the hardware removed in step 2. See Figure 9 (G).

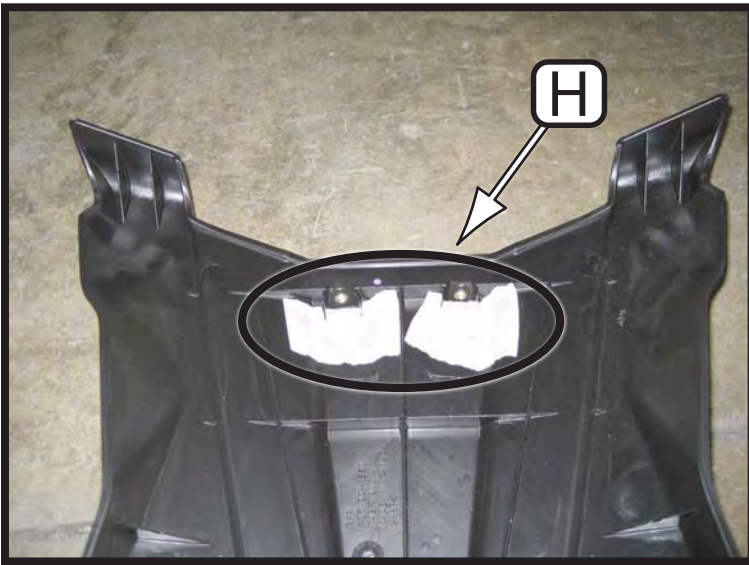
10. Tighten down all bolts.



“Figure 8” Support Bracket Install

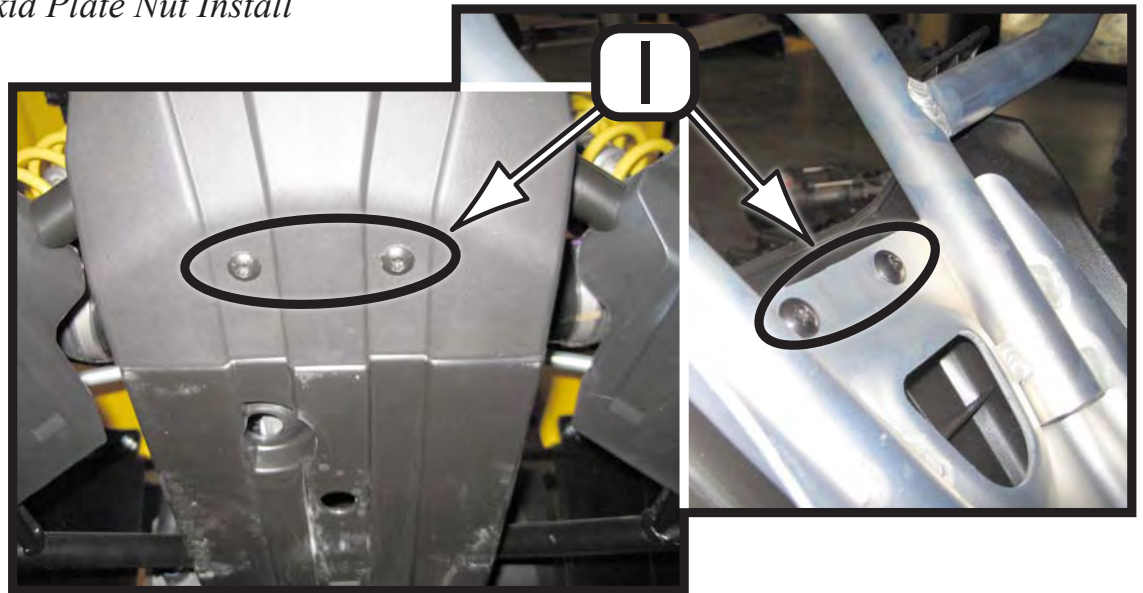


“Figure 9” Bumper Reinstall



“Figure 10” Plastic Skid Plate Nut Install

11. Before you reinstall the plastic skid plate you need to make sure that the square nuts are secured in place. The easiest way to do this is to use some masking tape to hold them in place as shown in Figure 10 (H).
12. Reinstall the plastic skid plate using the hardware removed in step 1. See Figure 11 (I) for install.
13. Use the instructions provided with your winch, wire accordingly.



“Figure 11” Plastic Skid Plate Install

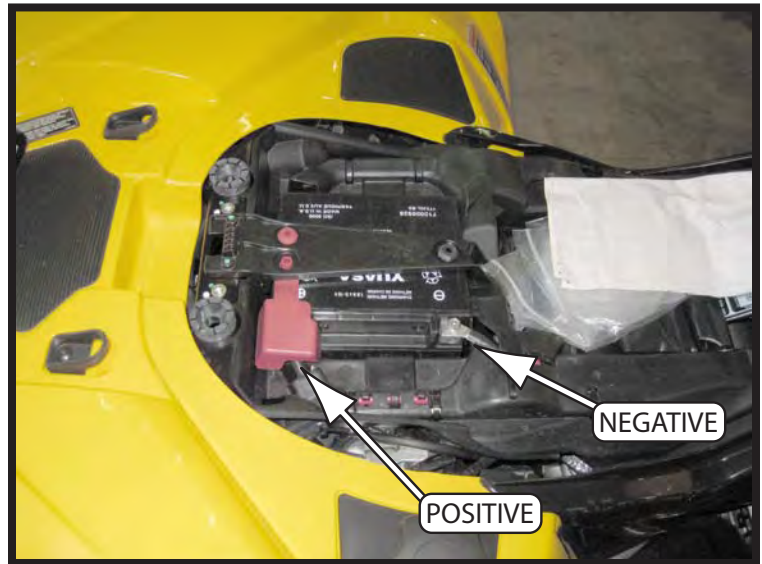


“Figure 12” Fully Installed



WIRING INFORMATION

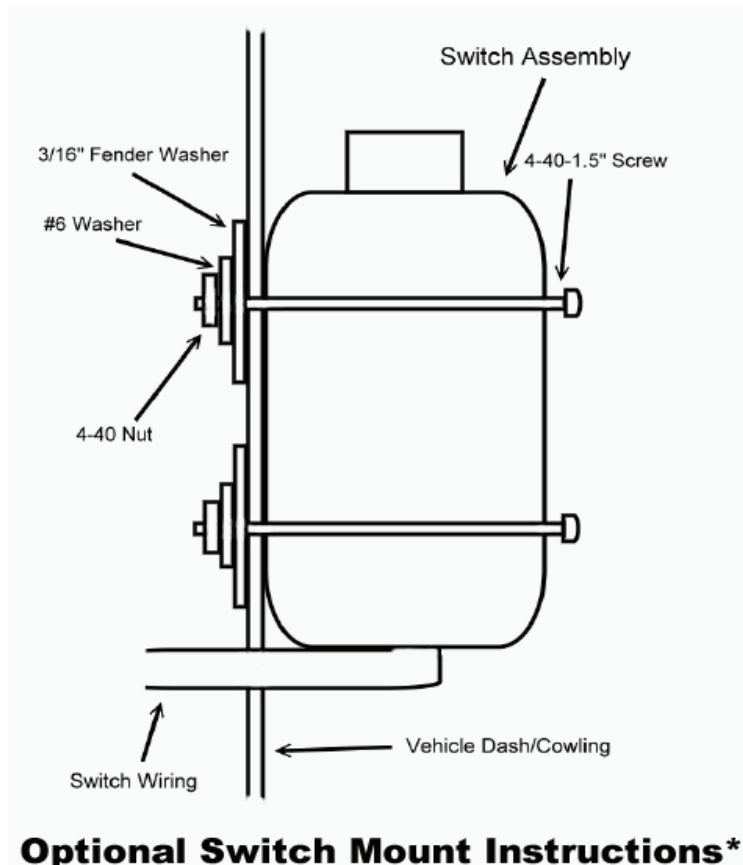
1. There is no specific location on this machine for the contactor, find a location that works best for you.
2. Mini-Rocker Switch Hardware kit. This allows you to mount your usual handle bar mounted switch to almost any desired location.
 - a. Remove handlebar mount hardware from the switch.
 - b. Locate desired mounting location
 - c. Mark and drill two switch holes through dash using switch housing as a template
 - d. Drill a 3rd hole for the switch wiring.
 - e. Assemble per Figure 15.
3. Find a location that suits your purposes for the mini-rocker switch and hand remote.
4. Wire the red ignition wires from controllers to the red (+) wire on the accessory plug as shown in Figure 14 using the supplied connector.



*“Figure 13” Battery Location
(Battery is located under the seat.)*



“Figure 14” Wire Location



Optional Switch Mount Instructions*

“Figure 15” Mini-Rocker Mounting