

2012-2013 HONDA FOREMAN

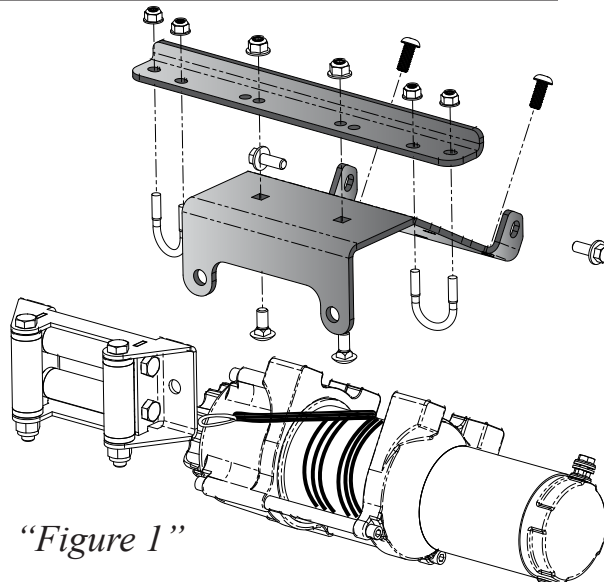
Winch Mount

PART # 100885

Hardware Kit: HK-075

Kit Components:

Qty.	Part Description
1.....	Mount Plate
1.....	Mount Strap
2.....	1/4"-20 x 1" x 1-1/2" U-Bolt
4.....	1/4"-20 Nylock Nut
2.....	5/16"-18 x 3/4" Carriage Bolt
2.....	5/16"-18 Nylock Nut
2.....	M8-1.25 x 20mm Flanged Hex Bolt
2.....	M8-1.25 x 20mm Button Head Screw, Yellow Zinc
2.....	5/16-18 x 3/4" Button Head Screw, Clear Zinc



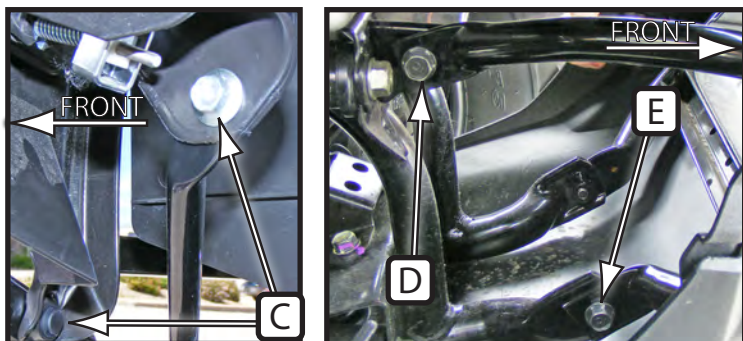
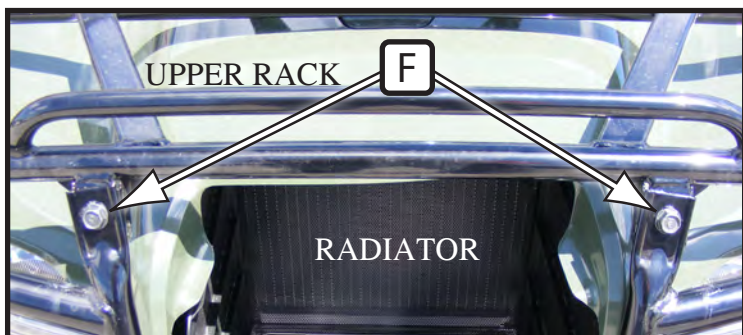
INSTALLATION INSTRUCTIONS:

1. To detach upper front bumper cover, remove bolts and plastic fasteners (A) as shown in Figure 2. Remove first bolt (B) on skid plate as shown in Figure 3 and pull skid plate off the front bumper, let it hang loosely.
2. Remove metal front bumper by removing bolts (C) from light support and plastic fasteners (C) from front bumper. Remove bumper bolts lower (E) and mid (D) that attach front bumper to frame. Finally remove upper rack bolts (F) to fully remove bumper.

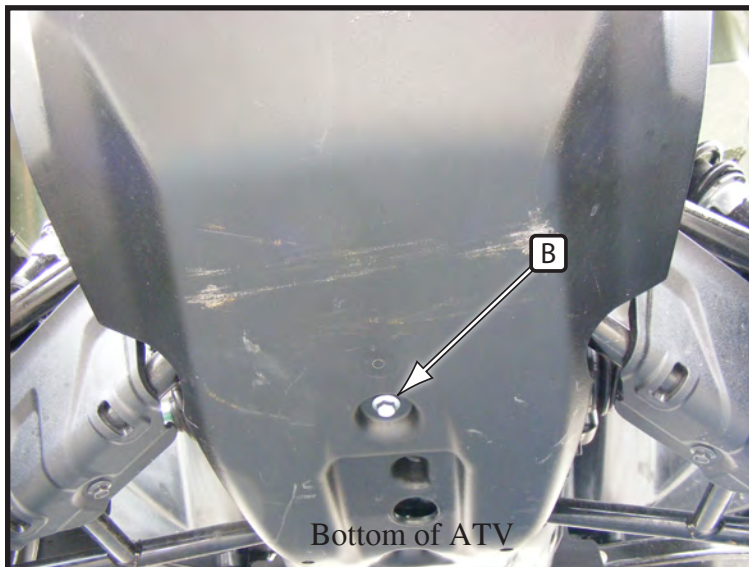
Note: Figure 2 shows the general locations for (C) and (D/E).



"Figure 2" Front Plastic Removal



"Figure 4" Front Bumper Removal



"Figure 3" Skid Plate

- Loosely install mount strap to bumper, as shown in Figure 5, using the 1" U-Bolts and 1/4" nuts (G).
- Install mount plate to mount strap, as shown in Figure 6, using the 3/4" carriage bolt and 5/16" Nylock nut (H).
- Install winch to mount plate, as shown in Figure 7, using the hardware provided with your winch and included standard or metric Button Head Screws (I) for rear winch holes. **Do NOT use washers or lock washers on Button Head Screws as the mount will not fit.**

Note:

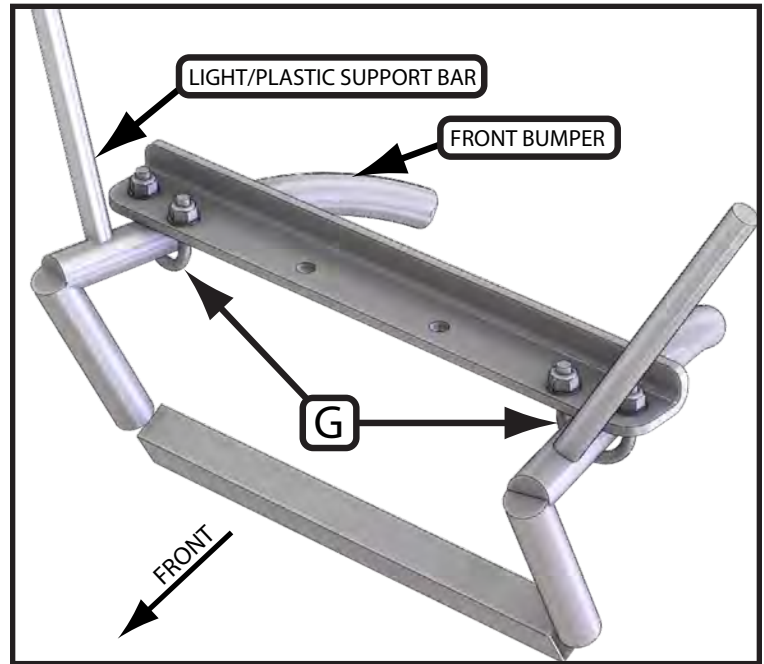
- Metric Button Head Screws will be Yellow Plated and Standard Button Head Screws will be Clear Plated.**
- You may want to attach the wires to your winch at this time as it may be hard to get to the leads on some winches after installed.
- Winch must be oriented so that the cable passes between the mount plate surface and the winch spool itself. See Figures 7/8.

- Repeat steps 1 & 2 in reverse order to re-install your bumper and winch assembly to the ATV. Use the included longer 20mm bolt in place of the upper bolt in Figure 4 (D).

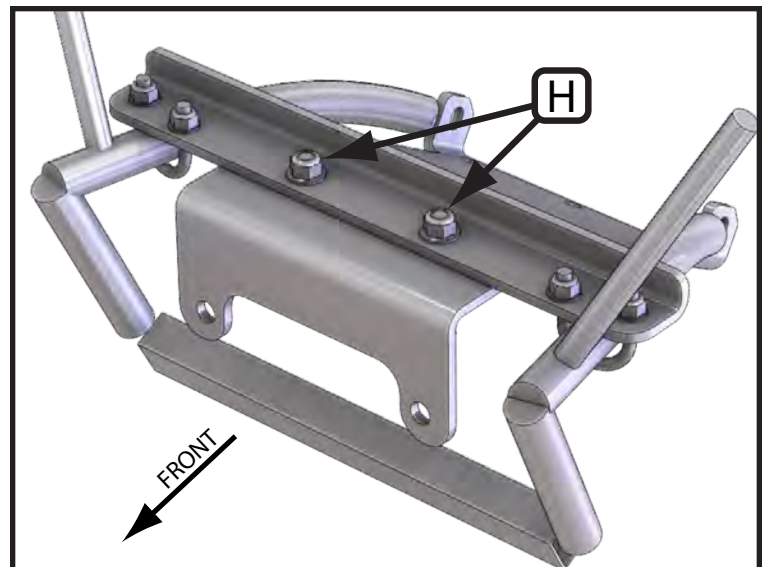
Note:

- After reinstalling the upper rack bolts (F) you may have to loosen the mount plate nuts (H) before installing the rear mount bolts.
- Tighten down frame bolts before installing plastic. On most winches the plastic will have to be trimmed on the motor side.

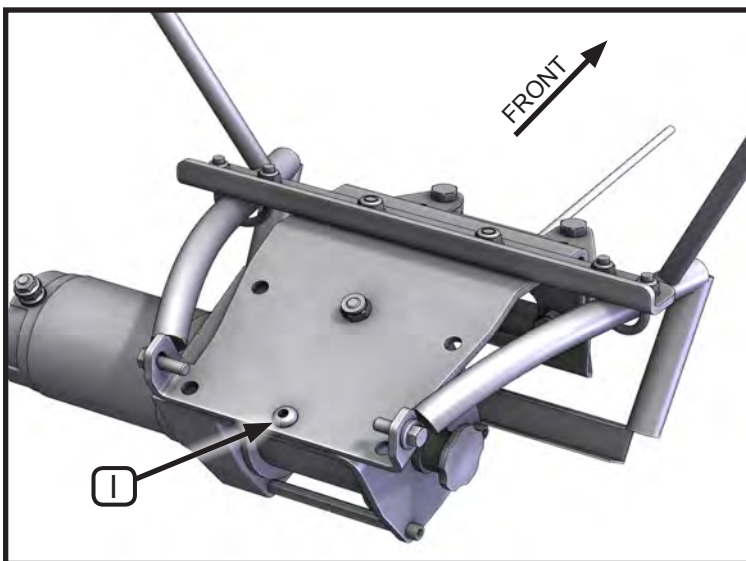
- Tighten down all bolts.
- Use the instructions provided with your winch, wire accordingly.



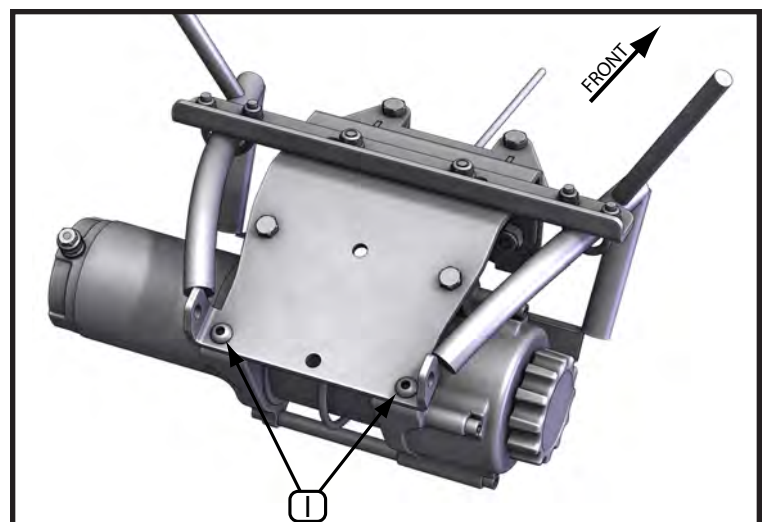
“Figure 5” Mount Strap Install



“Figure 6” Mount Plate Install



“Figure 8” 2-Hole Winch Install



“Figure 7” Standard Winch Install

